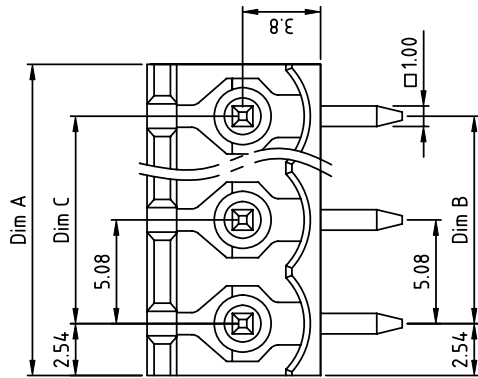
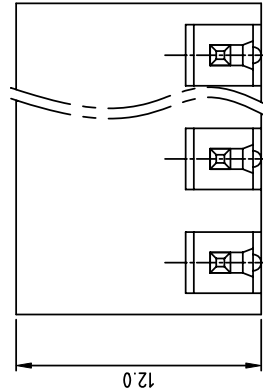
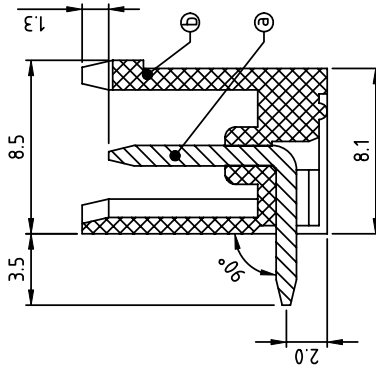
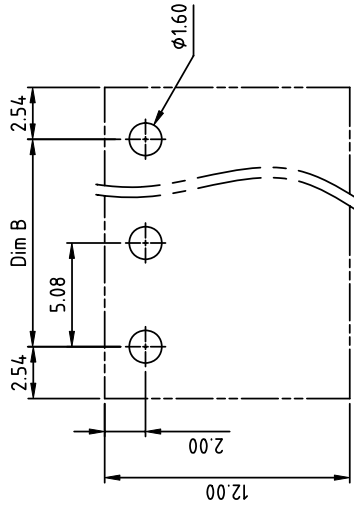


PRODUCT NUMBER	PITCH
00xx53x100J0G	5.08 mm



RECOMMENDED P.C.B LAYOUT
TOP VIEW



Material:

- Item Ⓒ Male contact pin: Copper Tin plated
- Item Ⓓ Terminal housing: Thermoplastic (UL94V-0)

Electrical:

- Voltage rating: 300V/300V/300V
- Current rating: 20A/20A/20A
- Withstanding Voltage: 1.6 KV/2.5KV/2.5KV
- Operating temperature: -40°C to +115°C
- Soldering temperature: 260°C±5°C/5 Sec
- Safety Approval:

DIMENSION

Dim A	N×5.08
Dim B&C	(N-1)×5.08

N = Number of poles

Poles	Dim A	Dim B&C
2-6p	±0.15	±0.10
7-12p	±0.25	±0.15
13-18p	±0.30	±0.20
19-24p	±0.40	±0.30

PART NO.: 00xx53x100J0 G

RoHS compliant
(lead<4%)
In copper Alloy

- No. of poles
- 0 Black (RAL9005)
- 2 Red (RAL3001/D)
- 3 Orange(RAL2011/P)
- 4 Yellow(RAL1018/A)
- 5 Green(RAL6018/T)
- 6 Blue (RAL5015/A)
- 8 Grey(RAL7035/D)
- 9 White(RAL1102)
- C Green(RAL6018/U)

mat'l. code		surface	tolerance	projection	product family	TERMINAL BLOCK
ltr	ecn no	dr	date	ASME Y14.5 / ASME Y14.5 tolerances unless otherwise specified	title	
				angles Ⓟ X:±0.5	TERMINAL BLOCK	
				X:XX±0.3	PLUGGABLE SOCKET_OPEN,RIGHT ANGLE	
				X:XX±0.1	dwg no	sheet 1 of 1 size
		dr	HANKE FENG	040314	FCI	A4
		engr	HANKE FENG	040314	00xx53x100J0G	
		chr	SHI JUN	040314	type	CUSTOMER Drawing
		appd	SHI JUN	040314		
sheet index	revision	A				
	sheet	1				