



JCS12N50C

主要参数 MAIN CHARACTERISTICS

ID	13 A
VDSS	500 V
Rdson (@Vgs=10V)	0.49 Ω
Qg	27 nC

用途

- 高频开关电源
- 电子镇流器
- UPS 电源

APPLICATIONS

- High frequency switching mode power supply
- Electronic ballast
- UPS

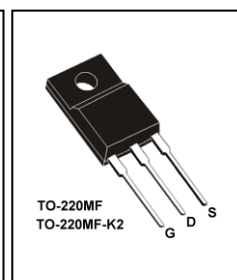
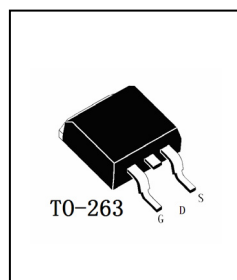
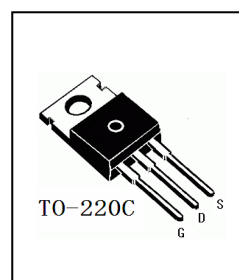
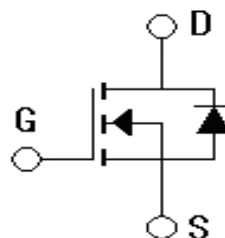
产品特性

- 低栅极电荷
- 低 C_{rss} (典型值 14pF)
- 开关速度快
- 产品全部经过雪崩测试
- 高抗 dv/dt 能力
- RoHS 产品

FEATURES

- Low gate charge
- Low C_{rss} (typical 14pF)
- Fast switching
- 100% avalanche tested
- Improved dv/dt capability
- RoHS product

封装 Package



订货信息 ORDER MESSAGE

订货型号 Order codes				印记 Marking	封装 Package
有卤-条管 Halogen-Tube	无卤-条管 Halogen-Free-Tube	有卤-编带 Halogen-Reel	无卤-编带 Halogen-Free-Reel		
JCS12N50CC-C-B	JCS12N50CC-C-BR	N/A	N/A	JCS12N50CC	TO-220C
JCS12N50SC-S-B	JCS12N50SC-S-BR	JCS12N50SC-S-A	JCS12N50SC-S-AR	JCS12N50SC	TO-263
JCS12N50FC-F-B	JCS12N50FC-F-BR	N/A	N/A	JCS12N50FC	TO-220MF
JCS12N50FC-F2-B	JCS12N50FC-F2-BR	N/A	N/A	JCS12N50FC	TO-220MF-K2





绝对最大额定值 ABSOLUTE RATINGS (Tc=25°C)

项 目 Parameter	符 号 Symbol	数 值 Value		单 位 Unit
		JCS12N50CC/SC	JCS12N50FC	
最高漏极-源极直流电压 Drain-Source Voltage	V _{DSS}	500		V
连续漏极电流 Drain Current -Continuous	I _D T=25°C T=100°C	13.0	13.0*	A
		8	8*	A
最大脉冲漏极电流 (注 1) Drain Current -Pulse (note 1)	I _{DM}	52	52*	A
最高栅源电压 Gate-Source Voltage	V _{GSS}	±30		V
单脉冲雪崩能量 (注 2) Single Pulsed Avalanche Energy (note 2)	E _{AS}	840		mJ
雪崩电流 (注 1) Avalanche Current (note 1)	I _{AR}	13.0		A
重复雪崩能量 (注 1) Repetitive Avalanche Energy (note 1)	E _{AR}	4.8		mJ
MOSFET 最大电压变化速率 MOSFET dv/dt Ruggedness	dv/dt	21.3		V/ns
二极管反向恢复最大电压变化速率 (注 3) Peak Diode Recovery dv/dt (note 3)		4.5		V/ns
耗散功率 Power Dissipation	P _D T _C =25°C -Derate above 25°C	190	49	W
		1.57	0.39	W/°C
最高结温及存储温度 Operating and Storage Temperature Range	T _J , T _{STG}	-55~+150		°C
引线最高焊接温度 Maximum Lead Temperature for Soldering Purposes	T _L	300		°C

*漏极电流由最高结温限制

*Drain current limited by maximum junction temperature





电特性 ELECTRICAL CHARACTERISTIC

项 目 Parameter	符 号 Symbol	测试条件 Tests conditions	最小 Min	典型 Typ	最大 Max	单 位 Units
关态特性 Off –Characteristics						
漏—源击穿电压 Drain-Source Voltage	BV_{DSS}	$I_D=250\mu A, V_{GS}=0V$	500	-	-	V
击穿电压温度特性 Breakdown Voltage Temperature Coefficient	$\Delta BV_{DSS} / \Delta T_J$	$I_D=250\mu A$, referenced to $25^\circ C$	-	0.5	-	V/ $^\circ C$
零栅压下漏极漏电流 Zero Gate Voltage Drain Current	I_{DSS}	$V_{DS}=500V, V_{GS}=0V, T_C=25^\circ C$	-	-	10	μA
		$V_{DS}=400V, T_C=125^\circ C$	-	-	100	μA
正向栅极体漏电流 Gate-body Leakage Current, Forward	I_{GSSF}	$V_{DS}=0V, V_{GS}=30V$	-	-	100	nA
反向栅极体漏电流 Gate-body Leakage Current, Reverse	I_{GSSR}	$V_{DS}=0V, V_{GS}=-30V$	-	-	-100	nA
通态特性 On-Characteristics						
阈值电压 Gate Threshold Voltage	$V_{GS(th)}$	$V_{DS} = V_{GS}, I_D=250\mu A$	2.0	-	4.0	V
静态导通电阻 Static Drain-Source On-Resistance	$R_{DS(ON)}$	$V_{GS} = 10V, I_D=6.5A$	-	0.41	0.49	Ω
正向跨导 Forward Transconductance	g_{fs}	$V_{DS} = 40V, I_D=6.5A$ (note 4)	-	14	-	S
动态特性 Dynamic Characteristics						
输入电容 Input Capacitance	C_{iss}	$V_{DS}=25V,$ $V_{GS}=0V,$ $f=1.0MHz$	-	1870	2155	pF
输出电容 Output Capacitance	C_{oss}		-	170	225	pF
反向传输电容 Reverse Transfer Capacitance	C_{rss}		-	14	20	pF





电特性 ELECTRICAL CHARACTERISTICS

项 目 Parameter	符 号 Symbol	测试条件 Tests conditions	最小 Min	典型 Typ	最大 Max	单位 Units
开关特性 Switching –Characteristics						
延迟时间 Turn-On delay time	$t_{d(on)}$	$V_{DD}=250V, I_D=13A, R_G=25\Omega$ (note 4, 5)	-	70	160	ns
上升时间 Turn-On rise time	t_r		-	145	240	ns
延迟时间 Turn-Off delay time	$t_{d(off)}$		-	135	230	ns
下降时间 Turn-Off Fall time	t_f		-	45	120	ns
栅极电荷总量 Total Gate Charge	Q_g	$V_{DS}=400V,$ $I_D=13A$ $V_{GS}=10V$ (note 4, 5)	-	27	35	nC
栅—源电荷 Gate-Source charge	Q_{gs}		-	9	-	nC
栅—漏电荷 Gate-Drain charge	Q_{gd}		-	12	-	nC
漏—源二极管特性及最大额定值 Drain-Source Diode Characteristics and Maximum Ratings						
正向最大连续电流 Maximum Continuous Drain-Source Diode Forward Current		I_S	-	-	13	A
正向最大脉冲电流 Maximum Pulsed Drain-Source Diode Forward Current		I_{SM}	-	-	52	A
正向最大连续电流 Maximum Continuous Drain-Source Diode Forward Current	V_{SD}	$V_{GS}=0V, I_S=13A$	-		1.5	V
反向恢复时间 Reverse Recovery Time	t_{rr}	$V_{GS}=0V, I_S=13A$ $di_F/dt=100A/\mu s$ (note 4)		400		ns
反向恢复电荷 Reverse Recovery Charge	Q_{rr}			4.3		μC

热特性 THERMAL CHARACTERISTIC

项 目 Parameter	符 号 Symbol	最大值 Value		单 位 Unit
		JCS12N50CC/SC	JCS12N50FC	
结到管壳的热阻 Thermal Resistance, Junction to Case	$R_{th(j-c)}$	0.79	2.55	$^{\circ}C/W$
结到环境的热阻 Thermal Resistance, Junction to Ambient	$R_{th(j-A)}$	62.5	62.5	$^{\circ}C/W$

注 1: 脉冲宽度由最高结温限制

注 2: $L=9.0mH, I_{AS}=13A, V_{DD}=50V, R_G=25\Omega$, 起始结温 $T_J=25^{\circ}C$ 注 3: $I_{SD} \leq 13A, di/dt \leq 200A/\mu s, V_{DD} \leq BV_{DSS}$, 起始结温 $T_J=25^{\circ}C$ 注 4: 脉冲测试: 脉冲宽度 $\leq 300\mu s$, 占空比 $\leq 2\%$

注 5: 基本与工作温度无关

Notes:

1: Pulse width limited by maximum junction temperature

2: $L=9.0mH, I_{AS}=13A, V_{DD}=50V, R_G=25\Omega$, Starting $T_J=25^{\circ}C$ 3: $I_{SD} \leq 13A, di/dt \leq 200A/\mu s, V_{DD} \leq BV_{DSS}$, Starting $T_J=25^{\circ}C$ 4: Pulse Test: Pulse Width $\leq 300\mu s$, Duty Cycle $\leq 2\%$

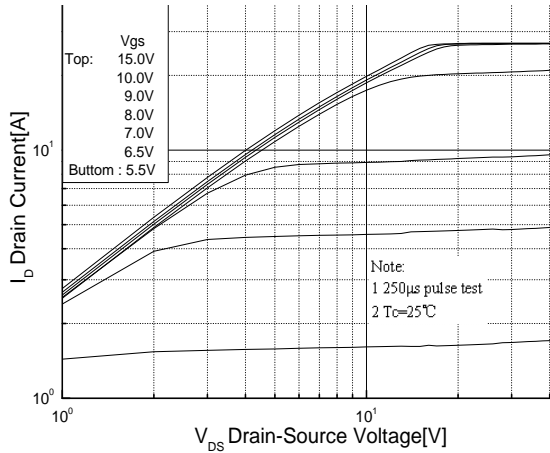
5: Essentially independent of operating temperature



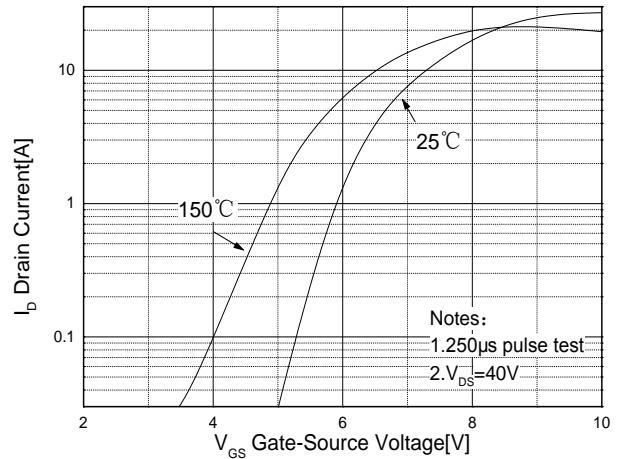


特征曲线 ELECTRICAL CHARACTERISTICS (curves)

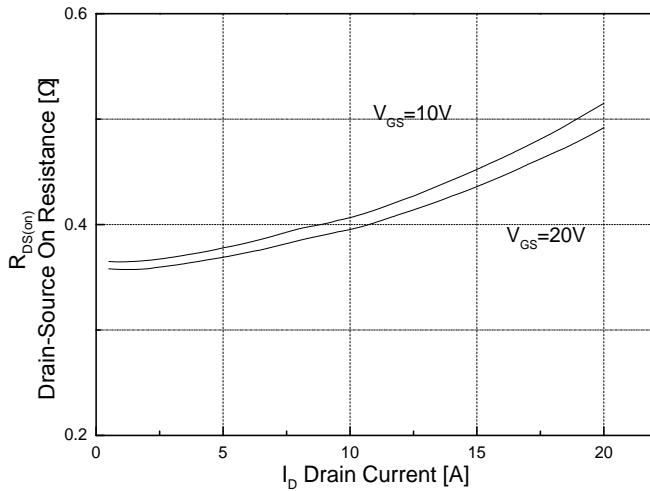
On-Region Characteristics



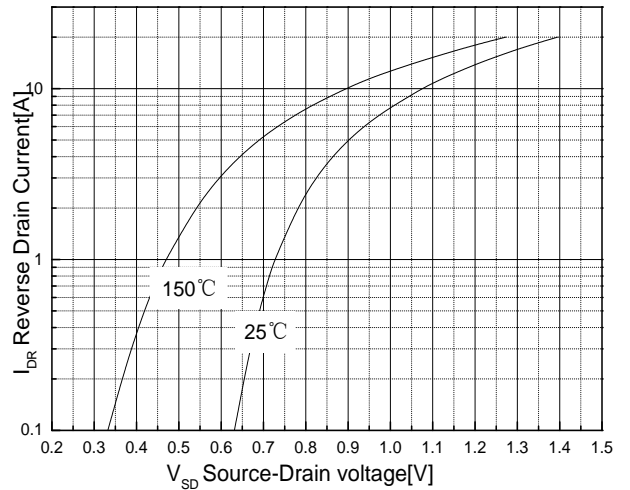
Transfer Characteristics



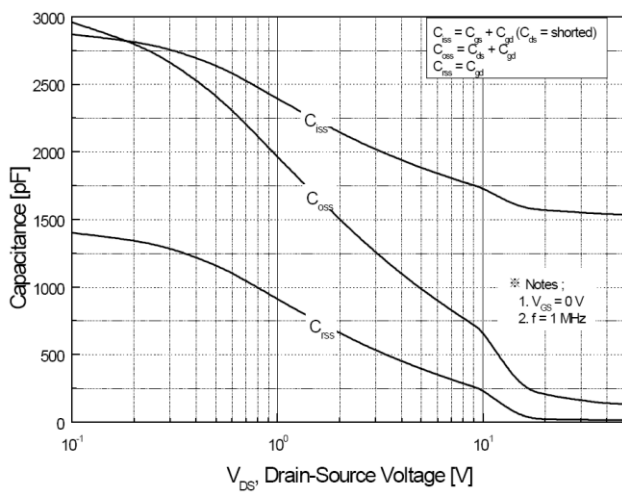
On-Resistance Variation vs Drain Current and Gate Voltage



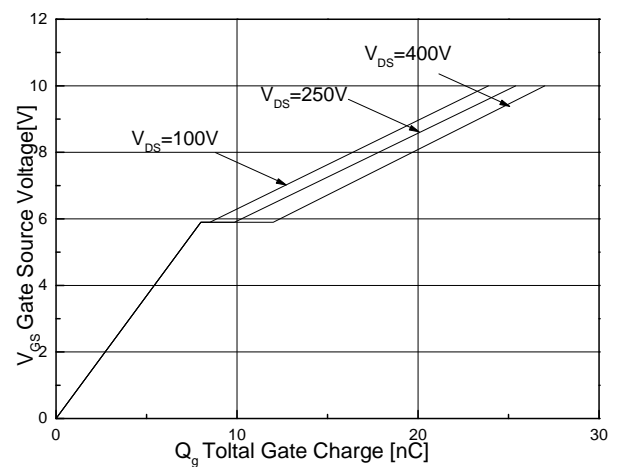
Body Diode Forward Voltage Variation vs. Source Current and Temperature



Capacitance Characteristics



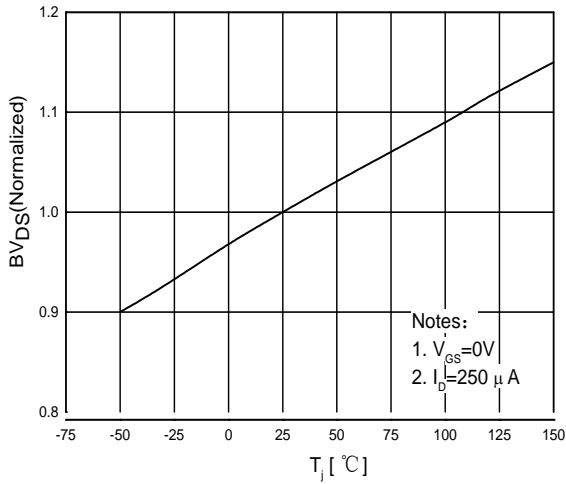
Capacitance Characteristics



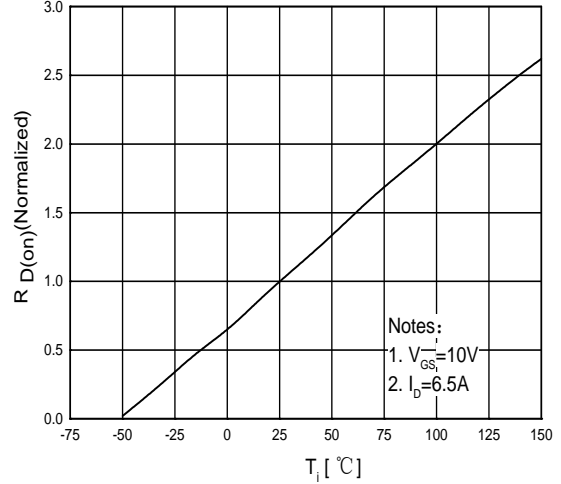


特征曲线 ELECTRICAL CHARACTERISTICS (curves)

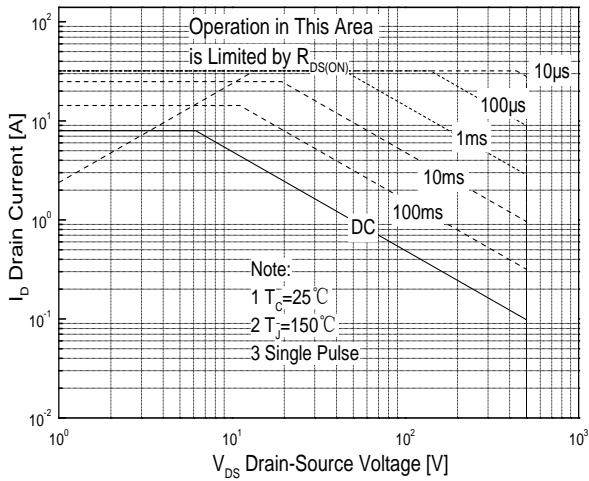
Breakdown Voltage Variation vs. Temperature



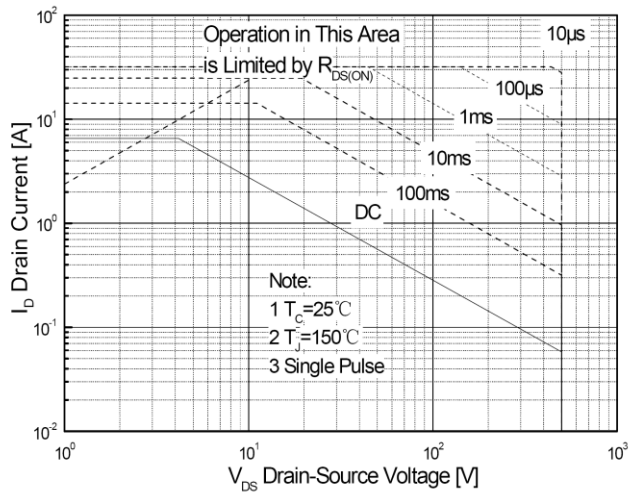
On-Resistance Variation vs. Temperature



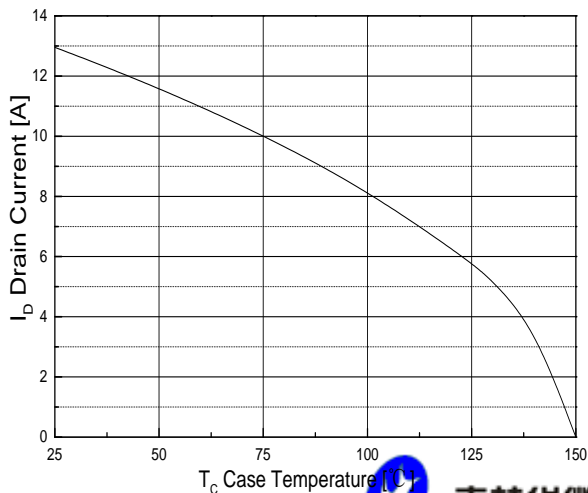
Maximum Safe Operating Area For JCS12N50CC/SC



Maximum Safe Operating Area For JCS12N50FC

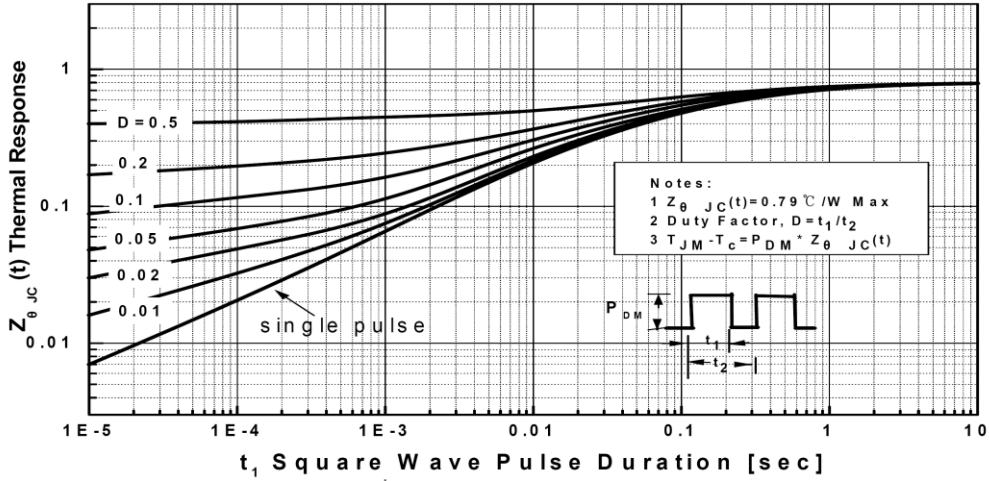


Maximum Drain Current vs. Case Temperature

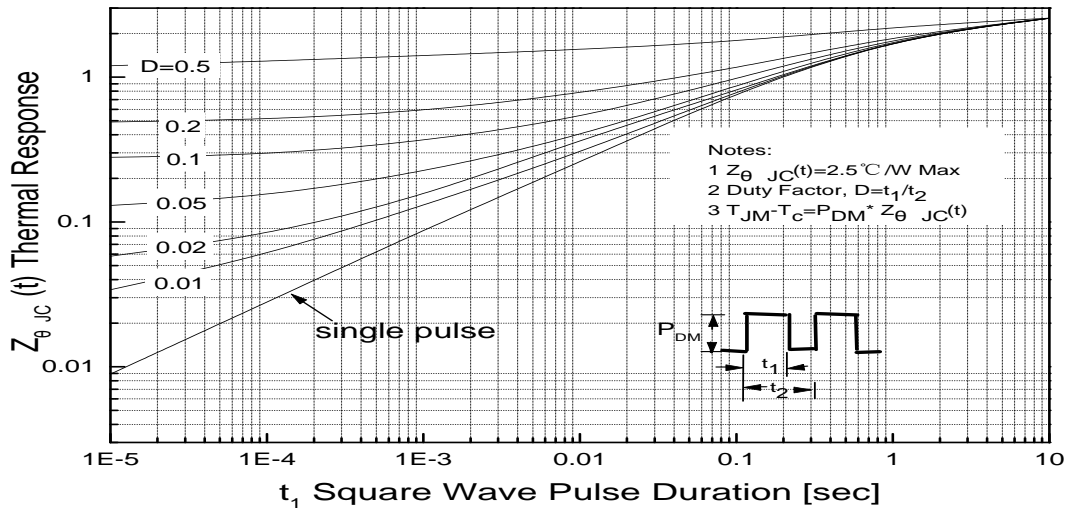




Transient Thermal Response Curve For JCS12N50CC/SC



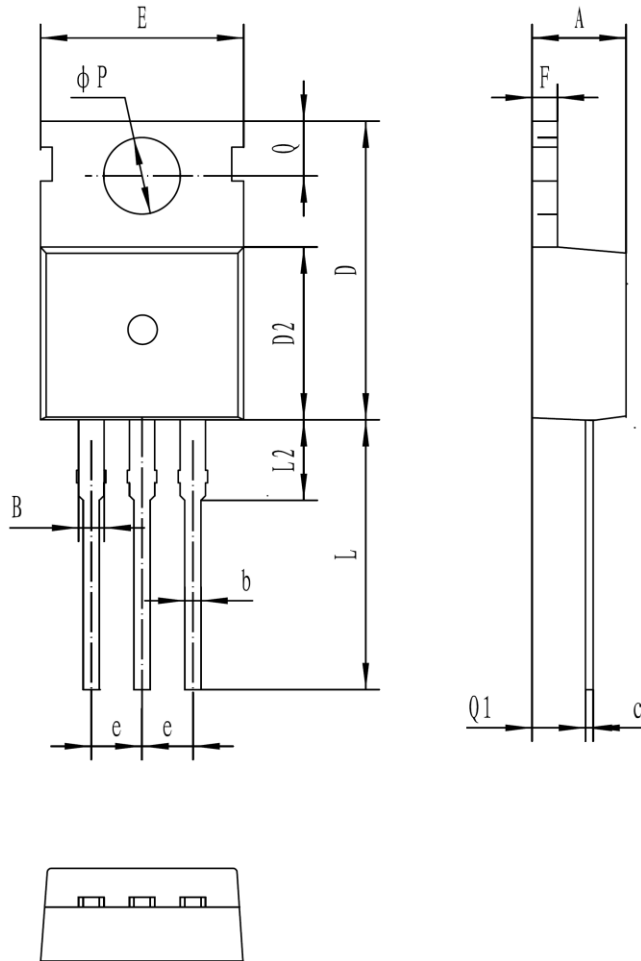
Transient Thermal Response Curve For JCS12N50FC





TO-220C

单位 Unit: mm



符号 symbol	MIN	MAX
A	4.30	4.70
B	1.22	1.47
b	0.70	0.95
c	0.40	0.65
D	15.20	16.20
D2	9.00	9.40
E	9.70	10.10
e	2.39	2.69
F	1.25	1.40
L	12.60	13.60
L2	2.80	3.20
Q	2.60	3.00
Q1	2.20	2.60
P	3.50	3.80

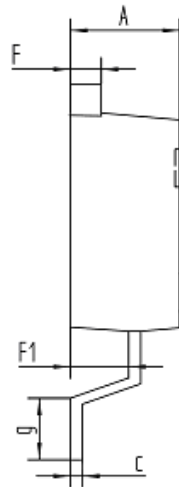
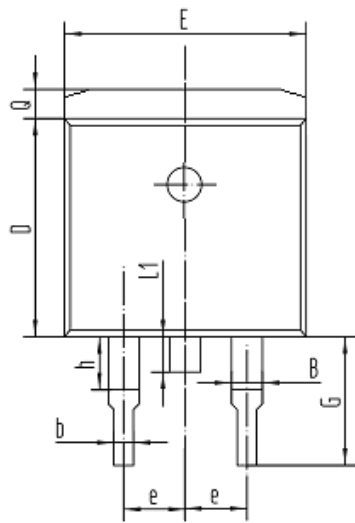




外形尺寸 PACKAGE MECHANICAL DATA

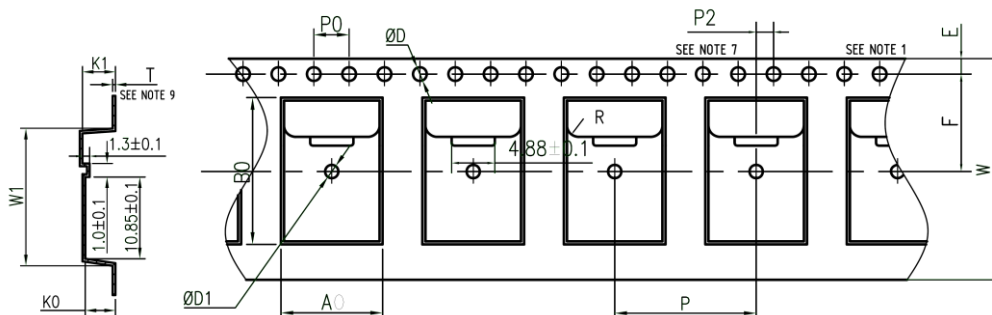
TO-263

单位 Unit: mm



符合 symbol	MIN	MAX
A	4.3	4.8
B	1.2	1.4
D	8.5	8.8
E	9.5	10.5
F	1.2	1.4
F1	2.5	2.9
G	4.7	5.5
L1	1.4	1.7
Q	1.2	1.5
b	0.75	0.95
c	0.35	0.5
e	2.49	2.59
g	1.9	2.7
h	2.3	3.3

编带 REEL



NOTES

- 10 SPROCKET HOLE PITCH CUMULATIVE TOLERANCE 0.2mm;
任意10个传轴孔间距累积误差0.2mm;
- MATERIAL: BLACK CONDUCTIVE POLYSTYRENE;
材料: 黑色防静电聚苯乙烯;
- DEMENSIONS ARE IN mm (UNLESS OTHERWISE SPECIFIED);
除非特别标注, 尺寸单位为毫米;
- K0 MEASURED FROM A PLANE ON THE INSIDE BOTTOM OF THE POCKET TO THE TOP SURFACE ON THE CARRIER;
K0是从凹槽底部上表面到载带顶面的测量尺寸;
- A0 AND B0 MEASURED ON A PLANE 0.30mm ABOVE THE BOTTOM OF THE POCKET;
从凹槽底部上方测量A0和B0的平面度是0.30mm;
- SURFACE RESISTIVITY IS BETWEEN 1×10E6 TO 1×10E10 OHMS/SQUARE;
表面电阻1X10e6~1X10e10Ω/□;
- Allowable Camber to be 1 mm/100 mm
载带100mm以内, 弯曲度不可超过1mm.

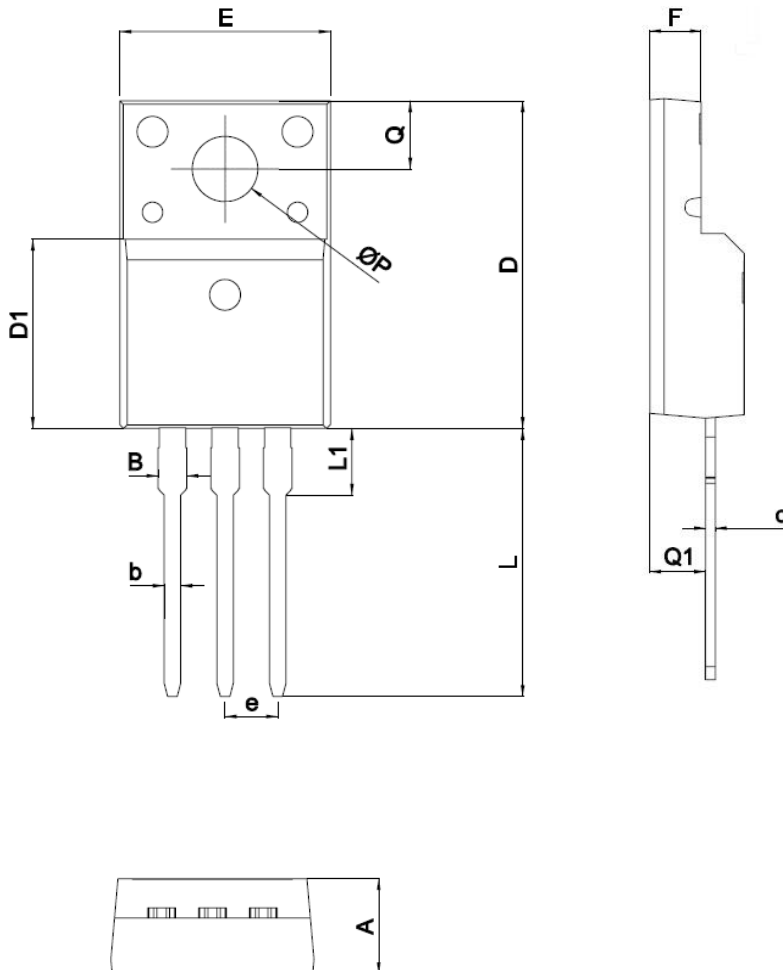
外观	尺寸	外观	尺寸
P0	4.0±0.1	W	24.0±0.3
P2	2.0±0.1	A0	10.8±0.2
P	16.0±0.1	E	1.75±0.1
T	0.35±0.05	F	11.5±0.1
K0	4.85±0.1	D	1.55±0.05
B0	16.3±0.1	D1	1.5±0.1
		W1	规格1 16.9±0.1
			规格2 17.2±0.1





TO-220MF

单位 Unit: mm



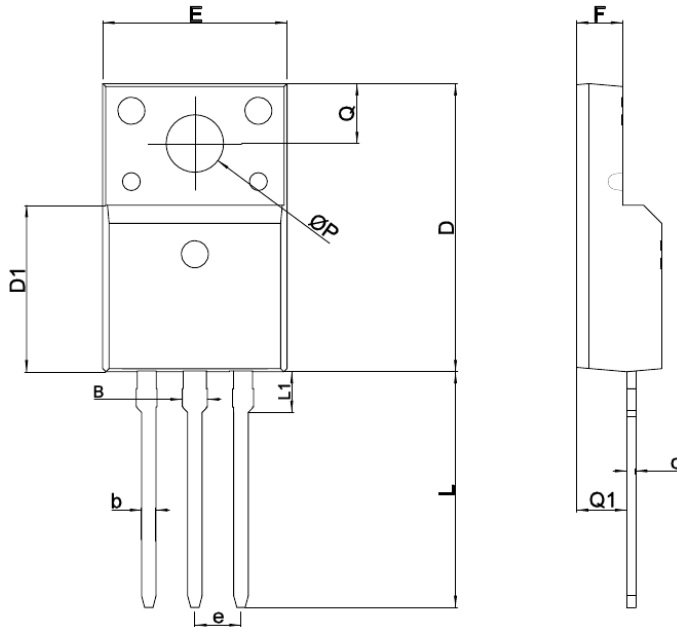
SYMBOL	mm	
	MIN	MAX
A	4.5	4.9
B		1.47
b	0.7	0.9
c	0.45	0.60
D	15.67	16.07
D1	9.04	9.20
e	2.54TYPE	
E	9.96	10.36
F	2.34	2.74
L	12.58	13.38
L1	3.13	3.33
Q	3.2	3.4
Q1	2.56	2.96
ΦP	3.08	3.28





TO-220MF-K2

单位 Unit: mm



SYMBOL	mm	
	MIN	MAX
A	4.5	4.9
B		1.27
b	0.59	0.79
c	0.45	0.60
D	15.67	16.07
D1	8.97	9.37
e	2.54TYPE	
E	9.96	10.36
F	2.34	2.74
L	12.65	13.35
L1	1.80	2.20
Q	3.2	3.4
Q1	2.56	2.96
ΦP	3.08	3.28





注意事项

- 1.吉林华微电子股份有限公司的产品销售分为直销和销售代理，无论哪种方式，订货时请与公司核实。
- 2.购买时请认清公司商标，如有疑问请与公司本部联系。
- 3.在电路设计时请不要超过器件的绝对最大额定值，否则会影响整机的可靠性。
- 4.本说明书如有版本变更不另外告知

NOTE

1. Jilin Sino-microelectronics co., Ltd sales its product either through direct sales or sales agent , thus, for customers, when ordering , please check with our company.
2. We strongly recommend customers check carefully on the trademark when buying our product, if there is any question, please don't be hesitate to contact us.
3. Please do not exceed the absolute maximum ratings of the device when circuit designing.
4. Jilin Sino-microelectronics co., Ltd reserves the right to make changes in this specification sheet and is subject to change without prior notice.

联系方式

吉林华微电子股份有限公司

公司地址：吉林省吉林市深圳街 99 号

邮编：132013

总机：86-432-64678411

传真：86-432-64665812

网址：www.hwdz.com.cn

市场营销部

地址：吉林省吉林市深圳街 99 号

邮编：132013

电话：86-432-64675588

64675688

64678411-3098/3099

传真：86-432-64671533

CONTACT

JILIN SINO-MICROELECTRONICS CO., LTD.

ADD: No.99 Shenzhen Street, Jilin City, Jilin Province, China.

Post Code: 132013

Tel: 86-432-64678411

Fax: 86-432-64665812

Web Site: www.hwdz.com.cn

MARKET DEPARTMENT

ADD: No.99 Shenzhen Street, Jilin City, Jilin Province, China.

Post Code: 132013

Tel: 86-432-64675588

64675688

64678411-3098/3099

Fax: 86-432-64671533

