

Silicon NPN Power Transistors

2SD313

DESCRIPTION

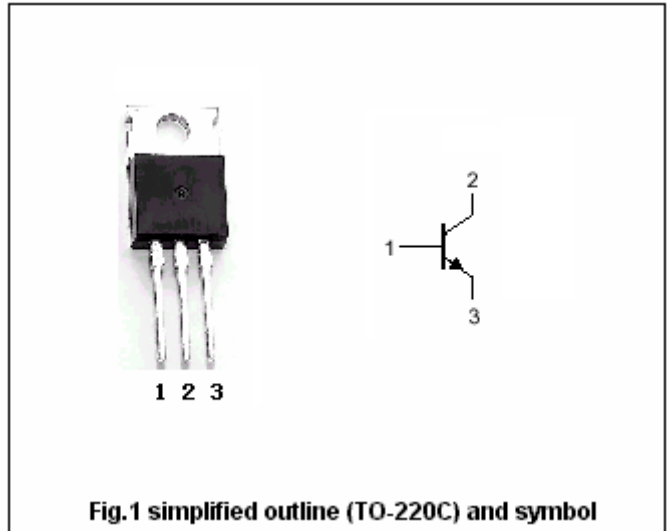
- With TO-220C package
- Complement to type 2SB507
- Low collector saturation voltage

APPLICATIONS

- Designed for the output stage of 15W to 25W AF power amplifier

PINNING

PIN	DESCRIPTION
1	Base
2	Collector;connected to mounting base
3	Emitter

Absolute maximum ratings($T_a=25^\circ\text{C}$)

SYMBOL	PARAMETER	CONDITIONS	VALUE	UNIT
V_{CBO}	Collector-base voltage	Open emitter	60	V
V_{CEO}	Collector-emitter voltage	Open base	60	V
V_{EBO}	Emitter-base voltage	Open collector	5	V
I_C	Collector current (DC)		3	A
I_{CM}	Collector current-Peak		8	A
I_B	Base current		1	A
P_C	Collector dissipation	$T_c=25^\circ\text{C}$	30	W
T_j	Junction temperature		150	$^\circ\text{C}$
T_{stg}	Storage temperature		-50~150	$^\circ\text{C}$

THERMAL CHARACTERISTICS

SYMBOL	CHARACTERISTICS	MAX	UNIT
$R_{\theta jc}$	Thermal resistance junction to case	4.16	$^\circ\text{C}/\text{W}$

Silicon NPN Power Transistors

2SD313

CHARACTERISTICS

T_j=25°C unless otherwise specified

SYMBOL	PARAMETER	CONDITIONS	MIN	TYP.	MAX	UNIT
V _{CEO}	Collector-emitter voltage	I _C =10mA; I _B =0	60			V
V _{CEsat}	Collector-emitter saturation voltage	I _C =2A; I _B =0.2A			1.0	V
V _{BE}	Base-emitter on voltage	I _C =1A; V _{CE} =2V			1.5	V
I _{CBO}	Collector cut-off current	V _{CB} =60V; I _E =0			0.1	mA
I _{CEO}	Collector cut-off current	V _{CE} =60V; I _B =0			5	mA
I _{EBO}	Emitter cut-off current	V _{EB} =5V; I _C =0			1	mA
h _{FE-1}	DC current gain	I _C =1A; V _{CE} =2V	40		320	
h _{FE-2}	DC current gain	I _C =0.1A; V _{CE} =2V	40			
f _T	Transition frequency	I _C =0.5A; V _{CE} =5V	5			MHz

◆ h_{FE-1} Classifications

C	D	E	F
40-80	60-120	100-200	160-320

Silicon NPN Power Transistors

2SD313

PACKAGE OUTLINE

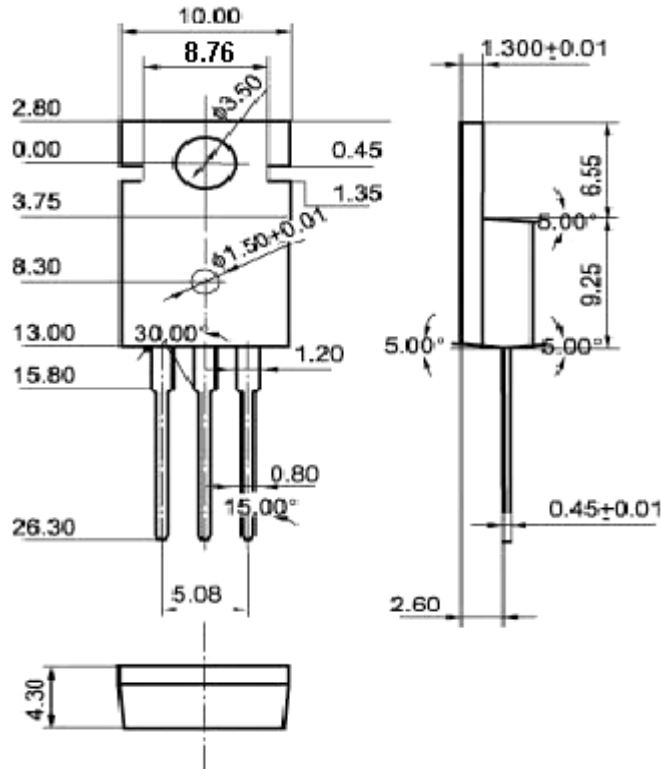


Fig.2 Outline dimensions (unindicated tolerance: ± 0.10 mm)