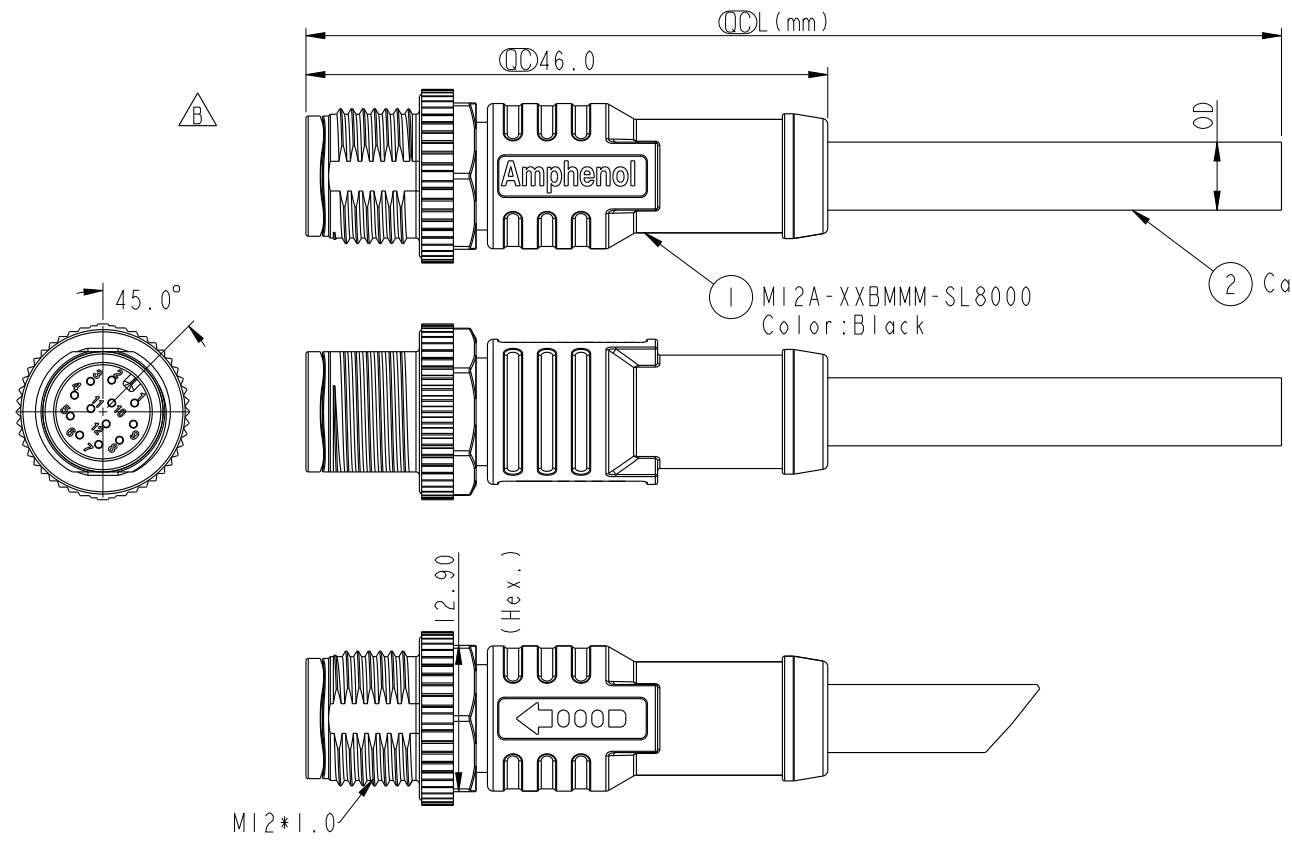


THIS DOCUMENT IS SUBJECT TO CHANGE WITHOUT NOTICE. IT IS CONFIDENTIAL AND A PROPERTY OF Amphenol LTW. DISCLOSURE TO THIRD PARTY HAS TO BE AUTHORIZED BY Amphenol LTW.

REV.	ECN NO.	DATE	SIGN	DESCRIPTION
C	LEN1680979-996 LEN1681012-015	2016/08/13	Yulong_wang	Add 6Pin & IP69K.
D	LEN1750103-09	2017/04/06	Lingpeng	Change The Cable OD
E	BOMR19100201	2019-10-29	Lingpeng	Add 17P



① M12A-XXBMMM-SL8000  
Color:Black

② Cable

- Notes:
- \* Important Dimension.
  - \* Waterproof Rate: IP68., IP69K.
  - \* Connector:
    - 3~6P,8P,10P,12P: PU+GF,Black.
    - 17P: Nylon+GF,Black.
  - \* Male Pin: Copper Alloy, Gold Plated.
  - \* Screw Nut: Zinc Alloy, Nickel Plated.
  - \* Outer Mold: PU,Black.
  - \* Cable: (A) UL2517,PVC Jacket,Yellow.  
(B) UL20549,PUR Jacket,Black.  
(D) UL2517,PVC Jacket,Black.
  - \* Rated Voltage: 3 & 4Pin 250V dc. or ac.  
5Pin 60V dc. or ac.  
6~12Pin,17Pin 30V dc. or ac.
  - \* Rated Current: 3~5Pin 4A  
6~8Pin 2A  
10~12Pin,17Pin 1.5A
  - \* Operating Temperature: -25~85°C
  - \* Cable Length Tolerance: 01M:±40mm  
02M~05M:±60mm  
06M~10M:±100mm  
11M~30M:±200mm  
31M~99M:±500mm

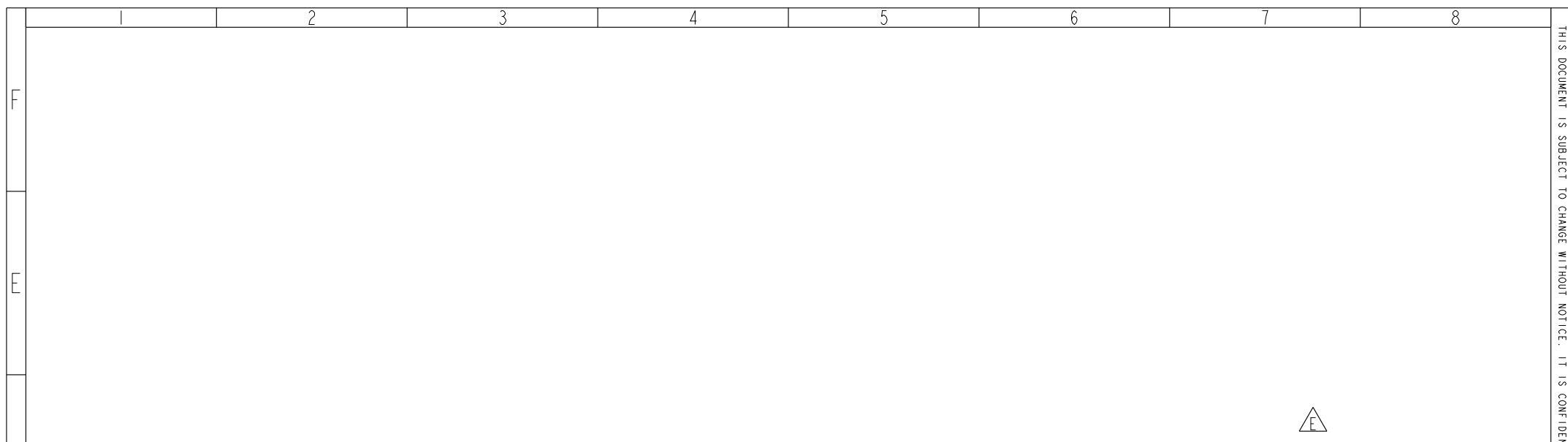
UNIT:mm			TITLE M12 A Type Cable Male Conn.
TOLERANCE ±0.5mm	SCALE 3:2	SIZE A4	SHEET 1 OF 3
REV. E	WC-REV. A.3	①: Inspection item	

**Amphenol LTW**  
安費諾亮泰企業股份有限公司

ITEM NO	DRAWN BY Lingpeng	DATE 2017-04-06
DWG NO M12A-XXBMMM-SL8XXX	CHECKED BY Ma Fei	DATE 2017-04-06
CUSTOMER ALTW	APPROVED BY Jerry	DATE 2017-04-06

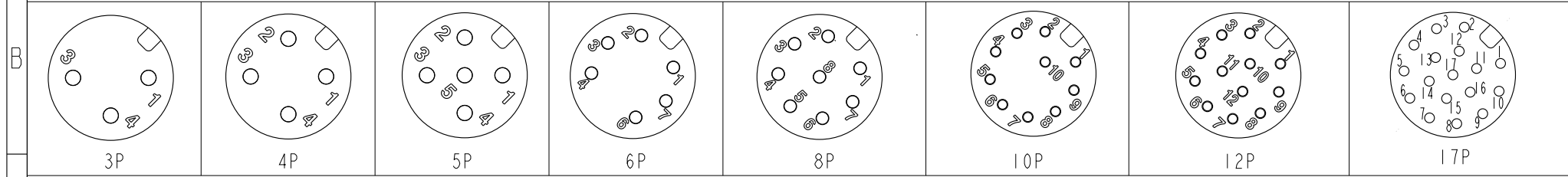


THIS DOCUMENT IS SUBJECT TO CHANGE WITHOUT NOTICE. IT IS CONFIDENTIAL AND A PROPERTY OF Amphenol LTW. DISCLOSURE TO THIRD PARTY HAS TO BE AUTHORIZED BY Amphenol LTW.



5	--		5	--		5	Gray	灰	5	--		8	--		8	Red	紅	12	--	12	Red/Blue	紅/藍	17	White/Gray	白/灰
4	Black	黑	4	Black	黑	4	Black	黑	4	Yellow	黃	7	Blue	藍	7	Blue	藍	11	--	11	Gray/Pink	灰/粉	16	Yellow/Brown	黃/棕
3	Blue	藍	3	Blue	藍	3	Blue	藍	3	Green	綠	6	Pink	粉	6	Pink	粉	10	Violet	10	Violet	紫	15	White/Yellow	白/黃
2	--		2	White	白	2	White	白	2	Brown	棕	5	Gray	灰	5	Gray	灰	9	Black	9	Black	黑	14	Brown/Green	棕/綠
1	Brown	棕	1	Brown	棕	1	Brown	棕	1	White	白	4	Yellow	黃	4	Yellow	黃	8	Red	8	Red	紅	13	White/Green	白/綠
Pin #	Wire		Pin #	Wire		Pin #	Wire		Pin #	Wire		Pin #	Wire		Pin #	Wire		Pin #	Wire		Pin #	Wire		Pin #	Wire

Pin Out



Pin Assignments Front View

UNIT:mm TOLERANCE $\pm 0.5\text{mm}$		TITLE MI2 A Type Cable Male Conn.		<b>Amphenol LTW</b> 安費諾亮泰企業股份有限公司	ITEM NO	DRAWN BY	DATE	
		SCALE 3:2	SIZE A4		SHEET 3 OF 3	DWG NO MI2A-XXBMMM-SL8XXX	CHECKED BY Ma Fei	DATE 2017-04-06
		REV. E	WC-REV. A.3		☉: Inspection item	CUSTOMER ALTW	APPROVED BY Jerry	DATE 2017-04-06

# Mouser Electronics

Authorized Distributor

Click to View Pricing, Inventory, Delivery & Lifecycle Information:

[Amphenol:](#)

[M12A-17BMMM-SL8B01](#) [M12A-17BMMM-SL8B02](#) [M12A-17BMMM-SL8D01](#) [M12A-17BMMM-SL8D02](#)