

5

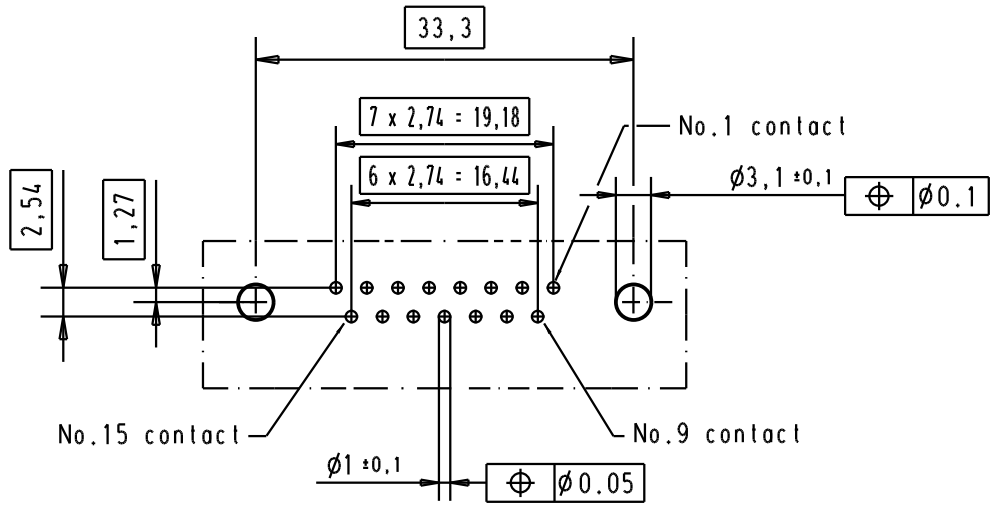
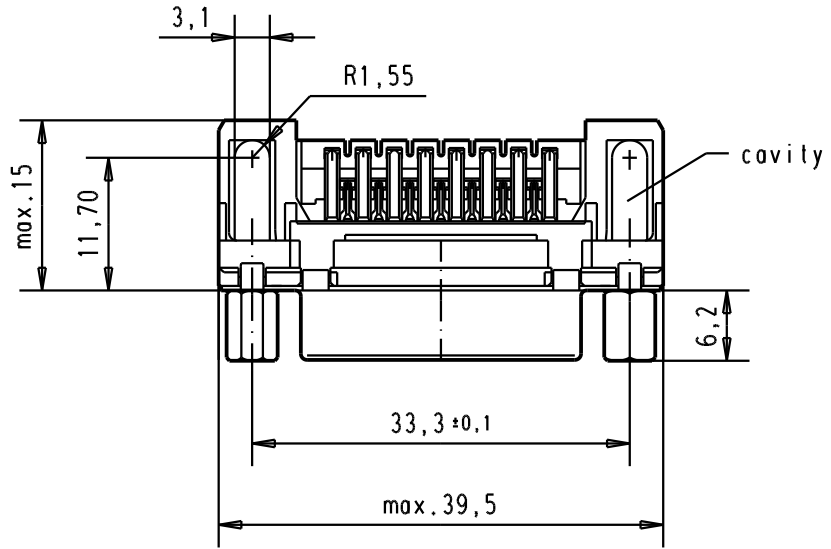
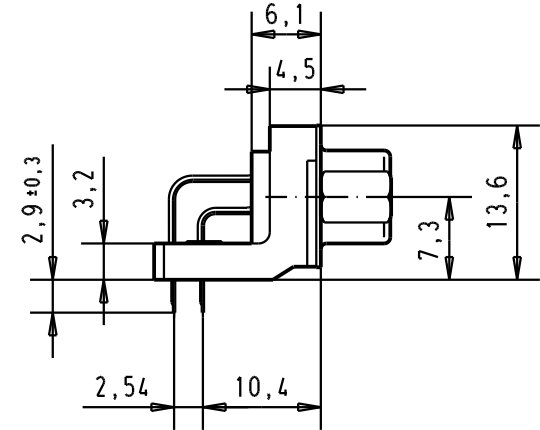
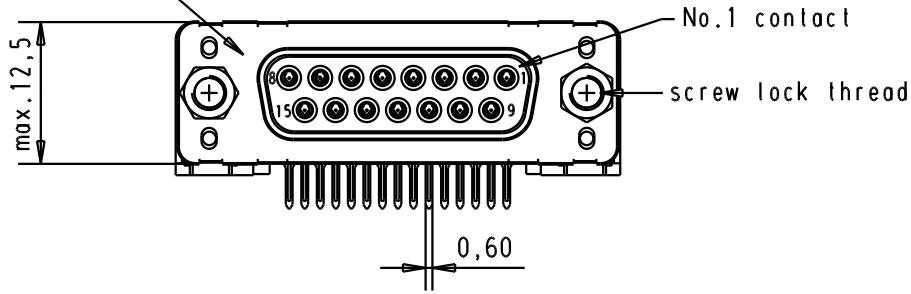
4



3

2

1

Mating face according to : MIL-C-24308 / DIN 41652 / CECC 75301-802



							Det.	Name	 All Dim. in mm Orig. Size DIN A 4	D-Sub 15 poles standard angle female, solder pin with screw lock and hole Maßstab/Scale 1.5:1
							Detail.	ALSPACE		
							Insp.			
A	09 66 212 3603	4-40 UNC	1	31892	05/05/04	JH	Stand.			TB 0966212x60x Blatt/ Page 3
	09 66 212 6603	4-40 UNC	2	29773	18-APR-02	CV				
	09 66 212 7603	4-40 UNC	3	27960	28/nov/00	ALSPACE				
	Part number	Screw lock thread	Performance level	Mod.	Dat.	Name	HARTING EURL F-95972 Paris 			Sub.

Mouser Electronics

Authorized Distributor

Click to View Pricing, Inventory, Delivery & Lifecycle Information:

[HARTING:](#)

[09662126603](#) [09662127603](#)