

LTM8020

36V, 200mA DC/DC μModule Regulator

DESCRIPTION

Demonstration circuit DC1194A features the LTM[®]8020, a 200mA DC/DC step-down μModule[®] regulator. The board is preset to deliver a 3.3V output at up to 200mA load current from an input voltage of up to 36V. The output voltage may be modified by simply changing one resistor. The LTM8020 data sheet must be read in conjunction

with this demo manual prior to working on or modifying demo circuit DC1194A.

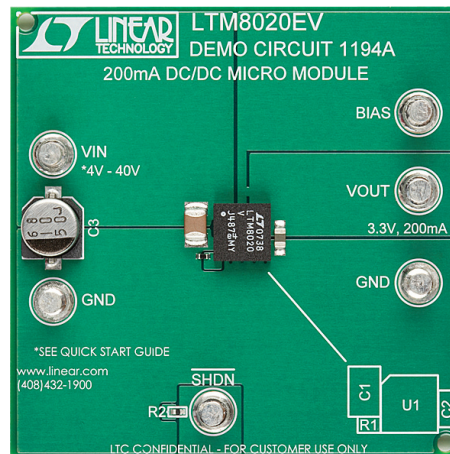
Design files for this circuit board are available at <http://www.linear.com/demo>

LT, LT, LTC, LTM, μModule, Linear Technology and the Linear logo are registered trademarks of Linear Technology Corporation. All other trademarks are the property of their respective owners.

PERFORMANCE SUMMARY

PARAMETER	CONDITIONS / NOTES	VALUE
Input Voltage Range	$V_{OUT} = 3.3V$, Device Operating	4.5V to 36V
Output Voltage, V_{OUT}	$R1 = 30.1k$	3.3V
Maximum Output Current		200mA
Efficiency	$V_{IN} = 5V$, $V_{OUT} = 3.3V$, $I_{OUT} = 100mA$	85% (See Figure 2)
Light Load Power Loss	$V_{IN} = 12V$, $V_{OUT} = 3.3V$, $I_{OUT} = 100\mu A$	400μW

BOARD PHOTO



DESCRIPTION

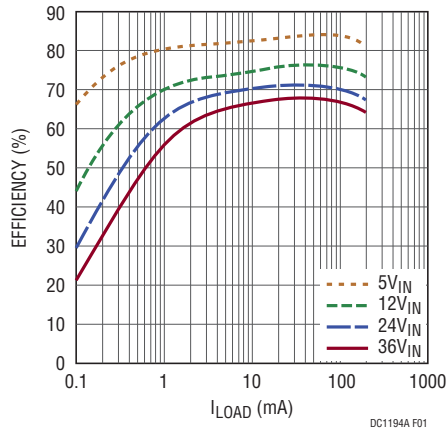


Figure 1. LTM8020EV Efficiency 3.3V_{OUT}

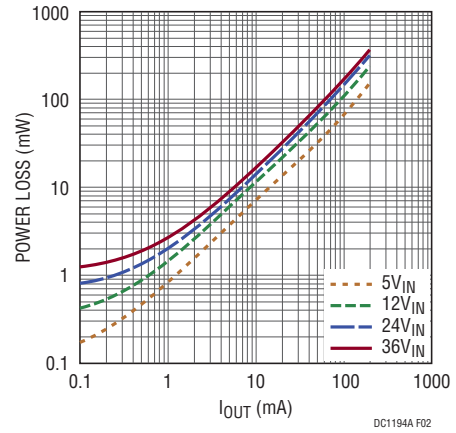


Figure 2. LTM8020EV Power Loss 3.3V_{OUT}

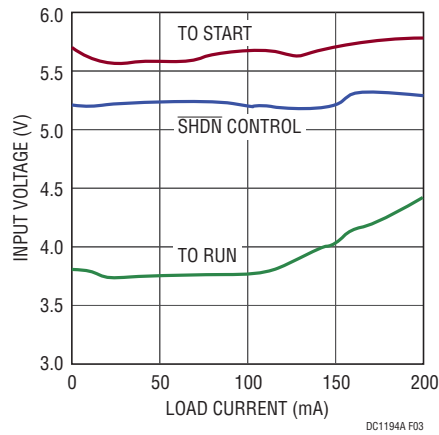


Figure 3. LTM8020EV Typical Minimum V_{IN} 3.3V_{OUT}

QUICK START PROCEDURE

Demonstration circuit 1194A is easy to set up to evaluate the performance of the LTM8020. Refer to Figure 4 for proper measurement equipment setup and follow the procedure below:

NOTE: Do not hot-plug the V_{IN} terminal at high input voltage. The absolute maximum voltage on V_{IN} is 40V and hot-plugging a power supply through wire leads to the demonstration circuit can cause the voltage on the extremely low ESR ceramic input capacitor to ring to twice its DC value. In order to protect the IC, a higher ESR aluminum electrolytic capacitor is placed at the input terminals. This may protect against some, but not all, input transients due to hot-plugging with a power supply. See Application Note 88 for more details.

1. Connect the power supply (with power off), load, and meters as shown in Figure 4.
2. After all connections are made, turn on input power and verify that the output voltage is 3.3V.

NOTE: If the output voltage is too low, temporarily disconnect the load to make sure that the load is not set too high.

3. Once the proper output voltage is established, adjust the load within the operating range and observe the output voltage regulation, ripple voltage, efficiency and other parameters.

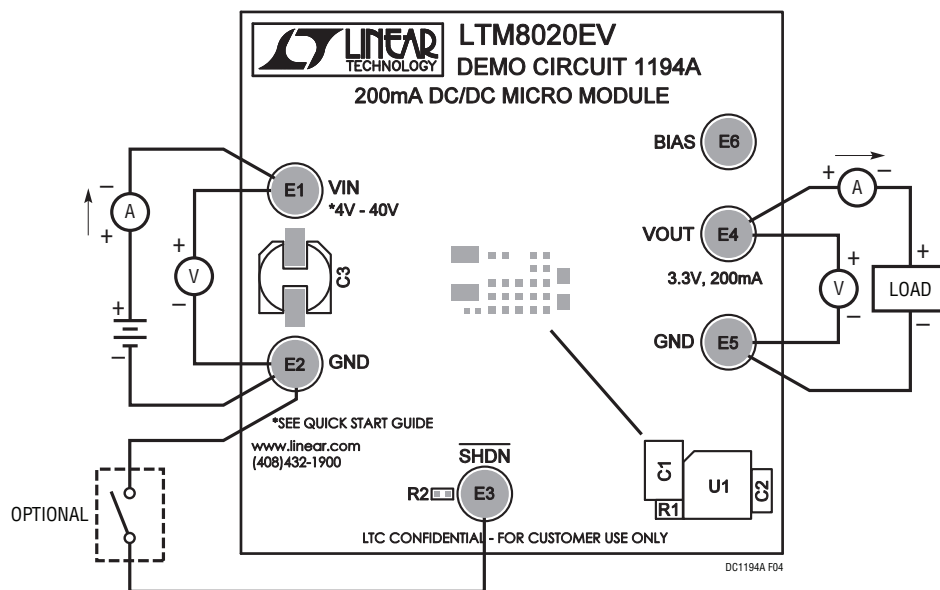


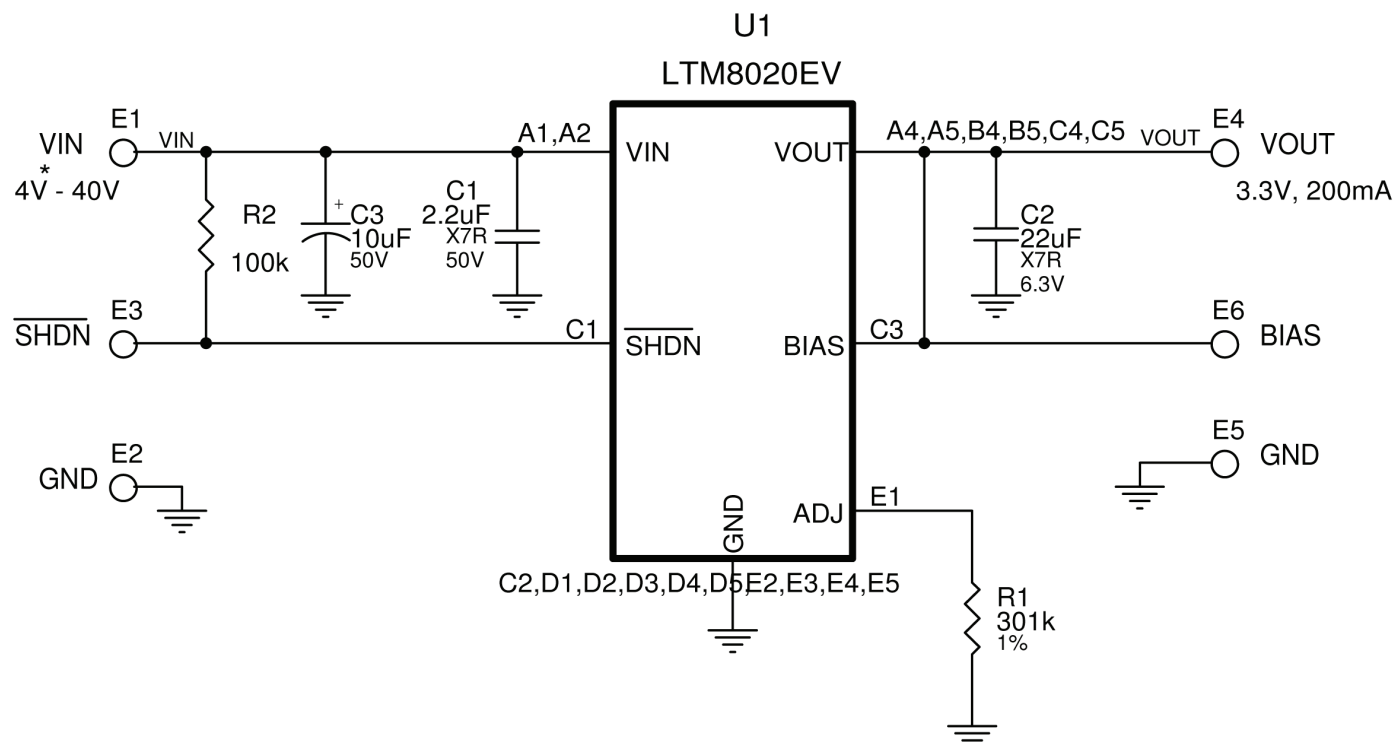
Figure 4. Proper Measurement Equipment Setup

DEMO MANUAL DC1194A

PARTS LIST

ITEM	QTY	REFERENCE	PART DESCRIPTION	MANUFACTURER'S PART NUMBER
Required Circuit Components				
1	1	C1	CAP, 1210 2.2 μ F 10% 50V X7R	TDK C3225X7R1H225K
5	1	R1	RES, 0402 301k 1% 1/16W	VISHAY CRCW0402301KFKED
6	1	R2	RES, 0402 100k 5% 1/16W	VISHAY CRCW0402100KJNED
7	1	U1	IC, MODULE	LINEAR TECH. LTM8020EV#PBF
Optional Electrical Components				
2	1	C2	CAP, 0805 22 μ F 20% 6.3V X7R	TAIYO YUDEN JDK212BJ226MD-T
3	1	C3	CAP, 10 μ F 20% 50V ALUM	SANYO 50CE10BJ (Now SUNCON 50CE10BJ)
Hardware				
4	6	E1, E2, E3, E4, E5, E6	TURRET	MILL-MAX 2501-2-00-80-00-00-07-0

SCHEMATIC DIAGRAM



DEMO MANUAL DC1194A

DEMONSTRATION BOARD IMPORTANT NOTICE

Linear Technology Corporation (LTC) provides the enclosed product(s) under the following **AS IS** conditions:

This demonstration board (DEMO BOARD) kit being sold or provided by Linear Technology is intended for use for **ENGINEERING DEVELOPMENT OR EVALUATION PURPOSES ONLY** and is not provided by LTC for commercial use. As such, the DEMO BOARD herein may not be complete in terms of required design-, marketing-, and/or manufacturing-related protective considerations, including but not limited to product safety measures typically found in finished commercial goods. As a prototype, this product does not fall within the scope of the European Union directive on electromagnetic compatibility and therefore may or may not meet the technical requirements of the directive, or other regulations.

If this evaluation kit does not meet the specifications recited in the DEMO BOARD manual the kit may be returned within 30 days from the date of delivery for a full refund. **THE FOREGOING WARRANTY IS THE EXCLUSIVE WARRANTY MADE BY THE SELLER TO BUYER AND IS IN LIEU OF ALL OTHER WARRANTIES, EXPRESSED, IMPLIED, OR STATUTORY, INCLUDING ANY WARRANTY OF MERCHANTABILITY OR FITNESS FOR ANY PARTICULAR PURPOSE. EXCEPT TO THE EXTENT OF THIS INDEMNITY, NEITHER PARTY SHALL BE LIABLE TO THE OTHER FOR ANY INDIRECT, SPECIAL, INCIDENTAL, OR CONSEQUENTIAL DAMAGES.**

The user assumes all responsibility and liability for proper and safe handling of the goods. Further, the user releases LTC from all claims arising from the handling or use of the goods. Due to the open construction of the product, it is the user's responsibility to take any and all appropriate precautions with regard to electrostatic discharge. Also be aware that the products herein may not be regulatory compliant or agency certified (FCC, UL, CE, etc.).

No License is granted under any patent right or other intellectual property whatsoever. **LTC assumes no liability for applications assistance, customer product design, software performance, or infringement of patents or any other intellectual property rights of any kind.**

LTC currently services a variety of customers for products around the world, and therefore this transaction **is not exclusive**.

Please read the DEMO BOARD manual prior to handling the product. Persons handling this product must have electronics training and observe good laboratory practice standards. **Common sense is encouraged.**

This notice contains important safety information about temperatures and voltages. For further safety concerns, please contact a LTC application engineer.

Mailing Address:

Linear Technology
1630 McCarthy Blvd.
Milpitas, CA 95035

Copyright © 2004, Linear Technology Corporation

Mouser Electronics

Authorized Distributor

Click to View Pricing, Inventory, Delivery & Lifecycle Information:

[Analog Devices Inc.:](#)

[DC1194A](#)