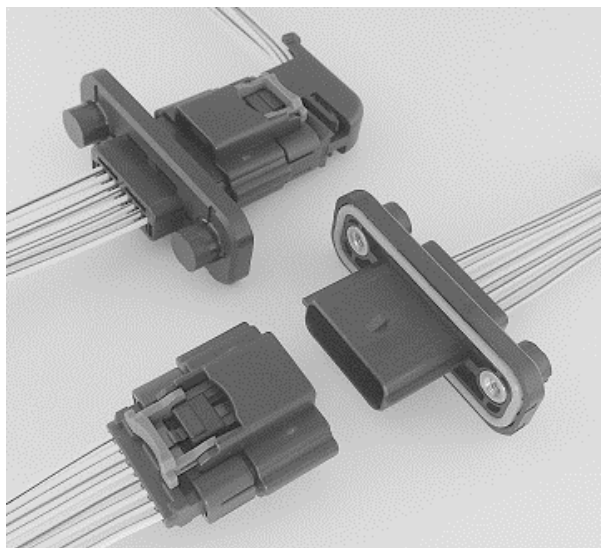


ATSSCONNECTOR

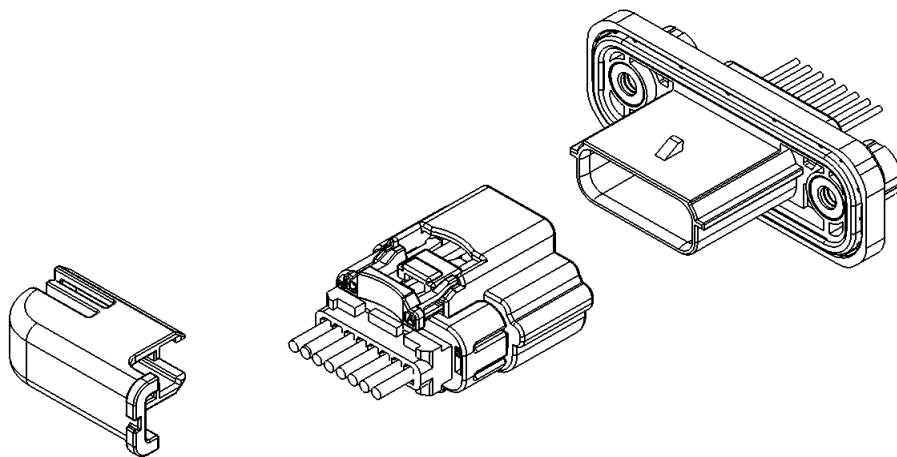
Sealed connectors/Wire-to-wire



Low profile 0.64 mm USCAR Sealed Connectors for automotive applications.

■ Features

- 0.64 Sealed Connector compatible with the USCAR Standard Footprints
- Terminal Position Assurance (TPA)
- (Optional) Connector Position Assurance (CPA)
- Optional Cable Cover available for Cable routing
- Variety of Cavity block options for unused Circuits



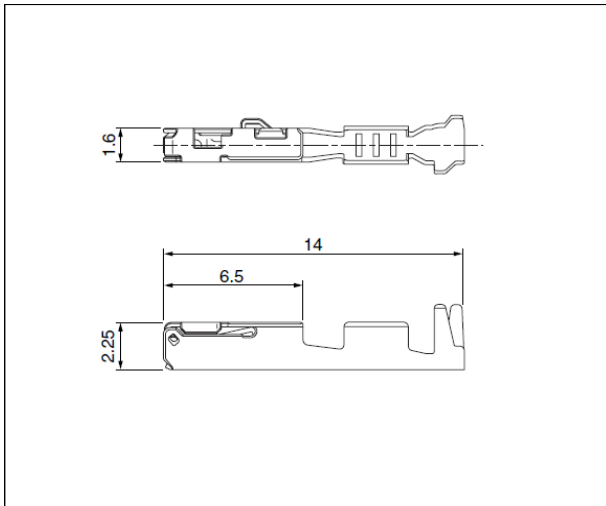
■ Specifications

- Current rating : 3 A AC, DC (0.3 mm²)
5 A AC, DC (0.5 mm²)
7 A AC, DC (0.8 mm²)
- Withstanding voltage : 1,000 VAC /minute
- Temperature range : -40°C to +105°C (Male and Female Connector)
-40°C to +125°C (Female Connector)
(including temperature rise in applying electrical current)
- Contact resistance : Initial value/ 15 mΩ max.
After environmental tests/ 15 mΩ max.
- Insulation resistance : 100 MΩ min.
- Applicable wire : SAE/AVSS/CAVS/FLRY
0.3 mm² to 0.8 mm²

*Compliant with ELV/RoHS2.

*Contact JST for details.

Female terminal

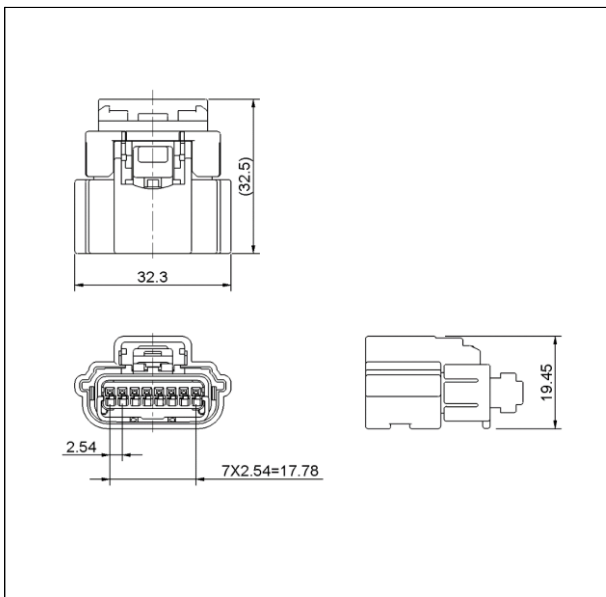


Model No.	Applicable wire range		Q'ty/reel
	Conductor (mm ²)	Insulation O.D. (mm)	
①SAIT-A03T-M064	0.3 to 0.5	≤1.9	6,500
①SAIT-A02T-M064	0.75 to 0.8	≤1.9	6,500
②SAIT-A03GF-M064	0.3 to 0.5	≤1.9	6,500
②SAIT-A02GF-M064	0.75 to 0.8	≤1.9	6,500

Material and Finish

①Copper alloy, tin-plated (reflow treatment)
 ②Copper alloy, Contact area: gold-plated
 Barrel area: tin-plated

Female connector



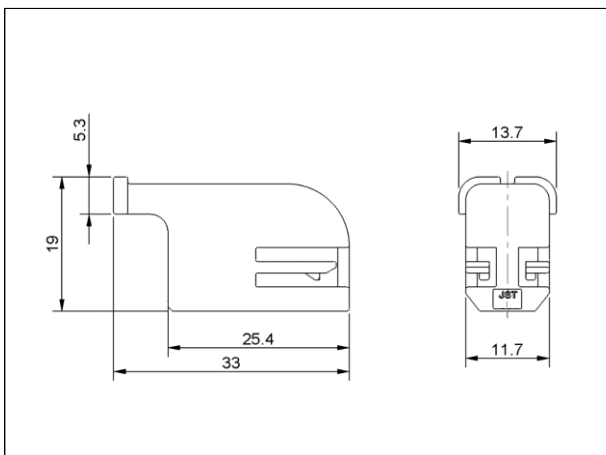
Circuits	Model No.	Q'ty/case
8	ATSSPB-()08()(-)1()	750

Material and Finish

Housing: Glass-filled PBT
 TPA: Glass-filled PBT, Natural
 CPA: Glass-filled PBT, Red (Optional)
 Back cover: Glass-filled PBT
 Ring seal: Silicone, Green
 Matte seal: Silicone, Green

Note: Circuits from 2 to 8 available with flashed over back option other than abovementioned housing. Contact JST for details.

Cable cover



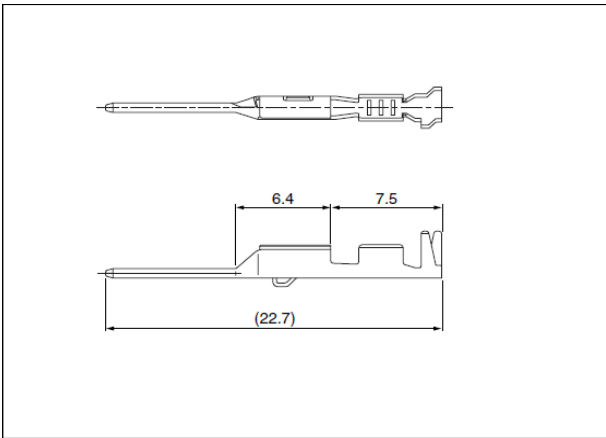
Circuits	Model No.	Q'ty/box
8	ATSSCC-08-K	3,000

Material and Finish

Glass-filled PBT, Black

ATSS CONNECTOR

Male terminal



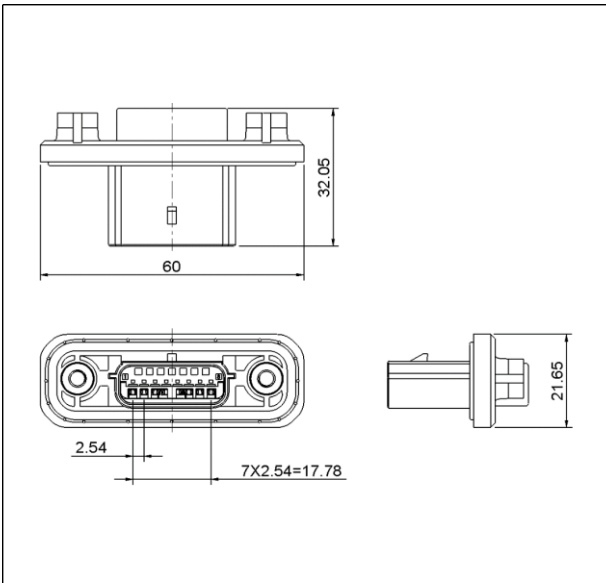
Model No.	Applicable wire range		Q'ty/reel
	Conductor (mm ²)	Insulation O.D. (mm)	
①SAITW-A03T-064	0.3 to 0.5	≤1.9	9,000
①SAITW-A02T-064	0.75 to 0.8	≤1.9	9,000
②SAITW-A03GF-064	0.3 to 0.5	≤1.9	9,000
②SAITW-A02GF-064	0.75 to 0.8	≤1.9	9,000

Material and Finish

- ①Brass, tin-plated (reflow treatment)
- ②Brass, Contact area: gold-plated
Barrel area: tin-plated

Note: Contact JST for details regarding the use of Tin-plated male terminals and SAITW-A02GF-064 Au-plated terminals.

Male connector



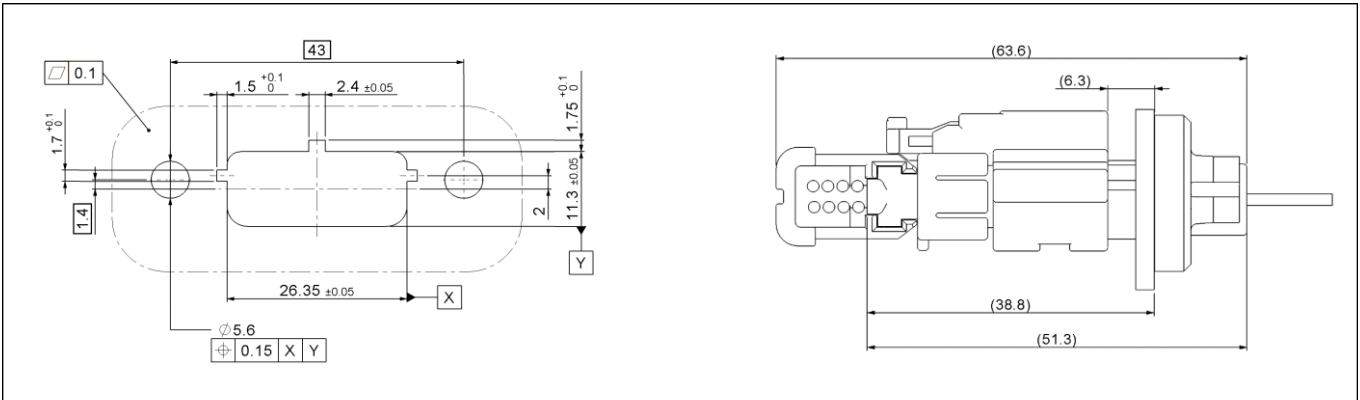
Circuits	Model No.	Q'ty/box
8	ATSSWB-08-1A-1AK	200

Material and Finish

- Housing: Glass-filled PBT, Black
- TPA: Glass-filled PBT, Natural
- Seal: Silicone, Brown
- Bush: Brass

Note: Color/Key codes other than abovementioned housing are also available. Contact JST for details.

Panel layout, Assembly layout



Crimping machine, Applicator

Strip terminal	Crimping machine	Crimp applicator MKS-L	
		Dies	Crimp applicator with dies
SAIT-A03()-M064	AP-K2N	MK/SAIT-A03-064	APLMK SAIT-A03-064
SAIT-A02()-M064		MK/SAIT-A02-064	APLMK SAIT-A02-064
SAITW-A03()-064		MK/SAITW-A03-064	APLMK SAITW-A03-064
SAITW-A02()-064		MK/SAITW-A02-064	APLMK SAITW-A02-064

Note: 1. When crimping operation is conducted using an applicator and die set other than the above, JST cannot guarantee the performance of the terminal.
2. Contact JST for details.