

Reference Specification

Type KJ

Safety Standard Certified Lead Type Disc Ceramic Capacitors for Automotive

Product specifications in this catalog are as of Jun. 2019, and are subject to change or obsolescence without notice.
Please consult the approval sheet before ordering. Please read rating and Cautions first.

Reference only

⚠ CAUTION

1. OPERATING VOLTAGE

When DC-rated capacitors are to be used in AC or ripple current circuits, be sure to maintain the V_{p-p} value of the applied voltage or the V_{o-p} which contains DC bias within the rated voltage range. When the voltage is started to apply to the circuit or it is stopped applying, the irregular voltage may be generated for a transit period because of resonance or switching. Be sure to use a capacitor within rated voltage containing these irregular voltage.

Voltage	DC Voltage	DC+AC Voltage	AC Voltage	Pulse Voltage(1)	Pulse Voltage(2)
Positional Measurement					

2. OPERATING TEMPERATURE AND SELF-GENERATED HEAT

Keep the surface temperature of a capacitor below the upper limit of its rated operating temperature range. Be sure to take into account the heat generated by the capacitor itself.

When the capacitor is used in a high-frequency current, pulse current or the like, it may have the self-generated heat due to dielectric-loss. Applied voltage should be the load such as self-generated heat is within 20 °C on the condition of atmosphere temperature 25 °C. When measuring, use a thermocouple of small thermal capacity-K of $\phi 0.1\text{mm}$ and be in the condition where capacitor is not affected by radiant heat of other components and wind of surroundings. Excessive heat may lead to deterioration of the capacitor's characteristics and reliability. (Never attempt to perform measurement with the cooling fan running. Otherwise, accurate measurement cannot be ensured.)

3. TEST CONDITION FOR WITHSTANDING VOLTAGE

(1) TEST EQUIPMENT

Test equipment for AC withstanding voltage should be used with the performance of the wave similar to 50/60 Hz sine wave.

If the distorted sine wave or over load exceeding the specified voltage value is applied, the defective may be caused.

(2) VOLTAGE APPLIED METHOD

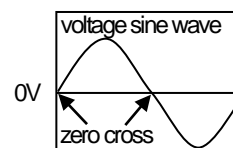
When the withstanding voltage is applied, capacitor's lead or terminal should be firmly connected to the out-put of the withstanding voltage test equipment, and then the voltage should be raised from near zero to the test voltage.

If the test voltage without the raise from near zero voltage would be applied directly to capacitor, test voltage should be applied with the *zero cross. At the end of the test time, the test voltage should be reduced to near zero, and then capacitor's lead or terminal should be taken off the out-put of the withstanding voltage test equipment.

If the test voltage without the raise from near zero voltage would be applied directly to capacitor, the surge voltage may arise, and therefore, the defective may be caused.

*ZERO CROSS is the point where voltage sine wave pass 0V.

- See the right figure -



4. FAIL-SAFE

When capacitor would be broken, failure may result in a short circuit. Be sure to provide an appropriate fail-safe function like a fuse on your product if failure would follow an electric shock, fire or fume.

5. VIBRATION AND IMPACT

Do not expose a capacitor or its leads to excessive shock or vibration during use. Excessive shock or vibration may cause to fatigue destruction of lead wires mounted on the circuit board. Please take measures to hold a capacitor on the circuit boards by adhesive, molding resin or coating and other. Please confirm there is no influence of holding measures on the product with a intended equipment.

6. SOLDERING

When soldering this product to a PCB/PWB, do not exceed the solder heat resistance specification of the capacitor. Subjecting this product to excessive heating could melt the internal junction solder and may result in thermal shocks that can crack the ceramic element.

When soldering capacitor with a soldering iron, it should be performed in following conditions.

Temperature of iron-tip : 400 °C max.

Soldering iron wattage : 50W max.

Soldering time : 3.5s max.

7. BONDING, RESIN MOLDING AND COATING

In case of bonding, molding or coating this product, verify that these processes do not affect the quality of capacitor by testing the performance of the bonded, molded or coated product in the intended equipment.

In case of the amount of applications, dryness / hardening conditions of adhesives and molding resins containing organic solvents (ethyl acetate, methyl ethyl ketone, toluene, etc.) are unsuitable, the outer coating resin of a capacitor is damaged by the organic solvents and it may result, worst case, in a short circuit.

The variation in thickness of adhesive, molding resin or coating may cause a outer coating resin cracking and/or ceramic element cracking of a capacitor in a temperature cycling.

8. TREATMENT AFTER BONDING, RESIN MOLDING AND COATING

When the outer coating is hot (over 100 °C) after soldering, it becomes soft and fragile.

So please be careful not to give it mechanical stress.

Failure to follow the above cautions may result, worst case, in a short circuit and cause fuming or partial dispersion when the product is used.

9. OPERATING AND STORAGE ENVIRONMENT

The insulating coating of capacitors does not form a perfect seal; therefore, do not use or store capacitors in a corrosive atmosphere, especially where chloride gas, sulfide gas, acid, alkali, salt or the like are present. And avoid exposure to moisture. Before cleaning, bonding, or molding this product, verify that these processes do not affect product quality by testing the performance of a cleaned, bonded or molded product in the intended equipment. Store the capacitors where the temperature and relative humidity do not exceed -10 to 40 °C and 15 to 85%.

Use capacitors within 6 months after delivered. Check the solderability after 6 months or more.

10. LIMITATION OF APPLICATIONS

Please contact us before using our products for the applications listed below which require especially high reliability for the prevention of defects which might directly cause damage to the third party's life, body or property.

1. Aircraft equipment
2. Aerospace equipment
3. Undersea equipment
4. Power plant control equipment
5. Medical equipment
6. Transportation equipment (vehicles, trains, ships, etc.)
7. Traffic signal equipment
8. Disaster prevention / crime prevention equipment
9. Data-processing equipment exerting influence on public
10. Application of similar complexity and/or reliability requirements to the applications listed in the above.

NOTICE

1. CLEANING (ULTRASONIC CLEANING)

To perform ultrasonic cleaning, observe the following conditions.

Rinse bath capacity : Output of 20 watts per liter or less.

Rinsing time : 5 min maximum.

Do not vibrate the PCB/PWB directly.

Excessive ultrasonic cleaning may lead to fatigue destruction of the lead wires.

2. CAPACITANCE CHANGE OF CAPACITORS

· Class 1 capacitors

Capacitance might change a little depending on a surrounding temperature or an applied voltage.

Please contact us if you use for the strict time constant circuit.

· Class 2 and 3 capacitors

Class 2 and 3 capacitors like temperature characteristic B, E and F have an aging characteristic, whereby the capacitor continually decreases its capacitance slightly if the capacitor leaves for a long time. Moreover, capacitance might change greatly depending on a surrounding temperature or an applied voltage. So, it is not likely to be able to use for the time constant circuit.

Please contact us if you need a detail information.

3. PERFORMANCE CHECK BY EQUIPMENT

Before using a capacitor, check that there is no problem in the equipment's performance and the specifications.

Generally speaking, CLASS 2 ceramic capacitors have voltage dependence characteristics and temperature dependence characteristics in capacitance. So, the capacitance value may change depending on the operating condition in a equipment. Therefore, be sure to confirm the apparatus performance of receiving influence in a capacitance value change of a capacitor, such as leakage current and noise suppression characteristic.

Moreover, check the surge-proof ability of a capacitor in the equipment, if needed, because the surge voltage may exceed specific value by the inductance of the circuit.

 **NOTE**

1. Please make sure that your product has been evaluated in view of your specifications with our product being mounted to your product.

2. You are requested not to use our product deviating from this specification.

Reference only

1. Application

This specification is applied to Safety Standard Certified Lead Type Disc Ceramic Capacitors Type KJ which can be used for the battery charger for Electric Vehicles and Plug-in Hybrid.

Type KJ is Safety Standard Certified capacitors of Class X1,Y2, and in accordance with AEC-Q200 requirements.

Approval standard and certified number

	Standard number	*Certified number	AC Rated voltage V(r.m.s.)
UL/cUL	UL60384-14	E37921	300
ENEC (VDE)	EN60384-14 IEC60384-14	40031217	300

*Above Certified number may be changed on account of the revision of standards and the renewal of certification.

2. Rating

2-1. Operating temperature range

-40 ~ +125°C

2-2. Part number configuration

ex.) DE6 E3 KJ 472 M A3 B _____
 Product Temperature Type Capacitance Capacitance Lead Packing Individual
 code characteristic name tolerance code style code specification

- Product code
DE6 denotes class X1,Y2.

- Temperature characteristic

Code	Temperature characteristic
E3	E

Please confirm detailed specification on [Specification and test methods].

- Type name
This denotes safety certified type name Type KJ.
Rated voltage : AC300V(r.m.s.)

- Capacitance
The first two digits denote significant figures ; the last digit denotes the multiplier of 10 in pF.
ex.) In case of 472.
 $47 \times 10^2 = 4700\text{pF}$

- Capacitance tolerance
Please refer to [Part number list].

- Lead code

Code	Lead style
A*	Vertical crimp long type
B*	Vertical crimp short type
N*	Vertical crimp taping type

* Please refer to [Part number list].

Solder coated copper wire is applied for termination.

Reference only

- Packing style code

Code	Packing type
B	Bulk type
A	Ammo pack taping type

- Individual specification

In case part number cannot be identified without 'individual specification', it is added at the end of part number.

Note) Murata part numbers might be changed depending on lead code or any other changes. Therefore, please specify only the type name(KJ) and capacitance of products in the parts list when it is required for applying safety standard of electric equipment.

3. Marking

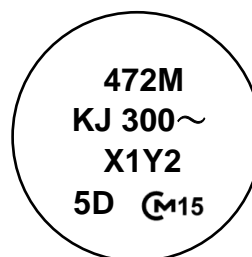
Nominal capacitance : 3 digit system
Capacitance tolerance : Code
Type name : KJ
Rated voltage mark : **300~**
Class code : **X1Y2**
Manufacturing year : Letter code(The last digit of A.D. year.)
Manufacturing month : Code

ex.) YEAR MONTH
 2015 12(December)
 5D*

* From January to September : "1" to "9",
October : "O", November : "N", December : "D"

Company name code : **Ⓜ15** (Made in Thailand)

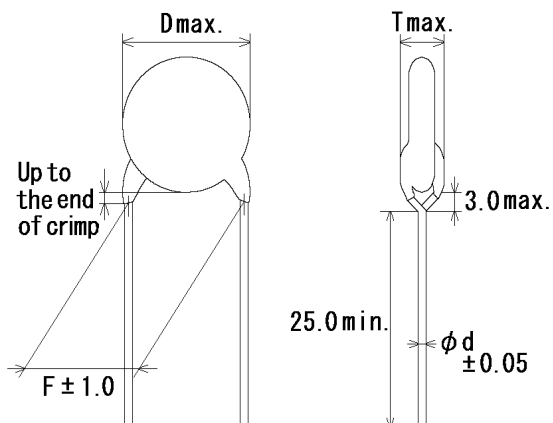
(Example)



Reference only

4. Part number list

·Vertical crimp long type
(Lead code:A*)



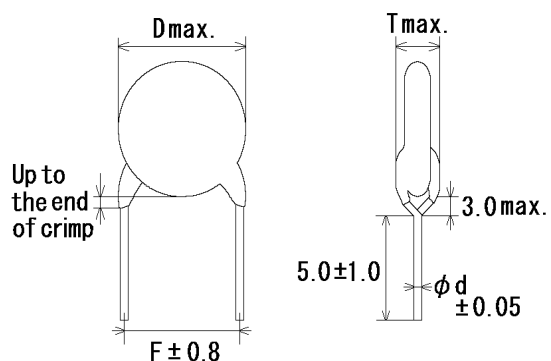
Note) The mark '*' of lead code differ from lead spacing(F) and lead diameter(d).
Please see the following list about details.

Unit : mm

T.C.	Cap. (pF)	Cap. tol.	Customer Part Number	Murata Part Number	Dimension (mm)				Lead code	Pack qty. (pcs)
					D	T	F	d		
E	1000	±20%		DE6E3KJ102MA3B	7.0	7.0	7.5	0.6	A3	250
E	1500	±20%		DE6E3KJ152MA3B	8.0	7.0	7.5	0.6	A3	250
E	2200	±20%		DE6E3KJ222MA3B	9.0	7.0	7.5	0.6	A3	250
E	3300	±20%		DE6E3KJ332MA3B	10.0	7.0	7.5	0.6	A3	250
E	4700	±20%		DE6E3KJ472MA3B	12.0	7.0	7.5	0.6	A3	200

Reference only

·Vertical crimp short type
(Lead code: B*)



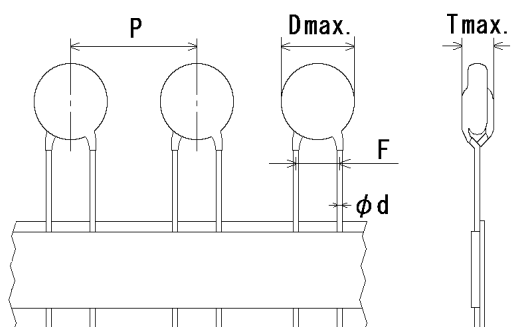
Note) The mark '*' of lead code differ from lead spacing(F) and lead diameter(d).
Please see the following list about details.

Unit : mm

T.C.	Cap. (pF)	Cap. tol.	Customer Part Number	Murata Part Number	Dimension (mm)				Lead code	Pack qty. (pcs)
					D	T	F	d		
E	1000	±20%		DE6E3KJ102MB3B	7.0	7.0	7.5	0.6	B3	500
E	1500	±20%		DE6E3KJ152MB3B	8.0	7.0	7.5	0.6	B3	500
E	2200	±20%		DE6E3KJ222MB3B	9.0	7.0	7.5	0.6	B3	500
E	3300	±20%		DE6E3KJ332MB3B	10.0	7.0	7.5	0.6	B3	500
E	4700	±20%		DE6E3KJ472MB3B	12.0	7.0	7.5	0.6	B3	250

Reference only

·Vertical crimp taping type
(Lead code:N*)

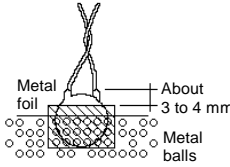


Note) The mark '*' of lead code differ from lead spacing(F), lead diameter(d) and pitch of component(P). Please see the following list or taping specification about details.

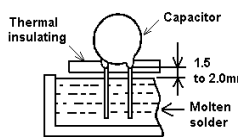
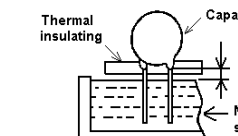
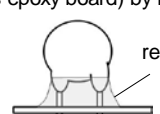
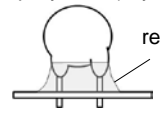
Unit : mm

T.C.	Cap. (pF)	Cap. tol.	Customer Part Number	Murata Part Number	Dimension (mm)					Lead code	Pack qty. (pcs)
					D	T	F	d	P		
E	1000	±20%		DE6E3KJ102MN3A	7.0	7.0	7.5	0.6	15.0	N3	700
E	1500	±20%		DE6E3KJ152MN3A	8.0	7.0	7.5	0.6	15.0	N3	700
E	2200	±20%		DE6E3KJ222MN3A	9.0	7.0	7.5	0.6	15.0	N3	700
E	3300	±20%		DE6E3KJ332MN3A	10.0	7.0	7.5	0.6	15.0	N3	700
E	4700	±20%		DE6E3KJ472MN3A	12.0	7.0	7.5	0.6	15.0	N3	700

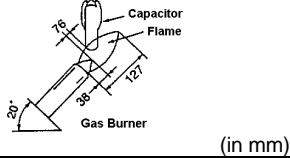
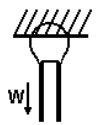
Reference only

5. Specification and test methods															
No.	Item	Specification	Test method												
1	Appearance and dimensions	No marked defect on appearance form. Please refer to [Part number list] on dimensions.	The capacitor should be inspected by naked eyes for visible evidence of defect. Dimensions should be measured with slide calipers.												
2	Marking	To be easily legible.	The capacitor should be inspected by naked eyes.												
3	Capacitance	Within specified tolerance.	The capacitance should be measured at 20°C with 1±0.1kHz and AC5V(r.m.s.)max..												
4	Dissipation Factor (D.F.)	2.5% max.	The dissipation factor should be measured at 20°C with 1±0.1kHz and AC5V(r.m.s.) max..												
5	Insulation Resistance (I.R.)	10000MΩ min.	The insulation resistance should be measured with DC500±50V within 60±5 s of charging. The voltage should be applied to the capacitor through a resistor of 1MΩ.												
6	Dielectric strength	Between lead wires	No failure. The capacitor should not be damaged when AC2600V(r.m.s.)<50/60Hz> is applied between the lead wires for 60 s.												
		Body insulation	No failure. First, the terminals of the capacitor should be connected together. Then, a metal foil should be closely wrapped around the body of the capacitor to the distance of about 3 to 4mm from each terminal.  Then, the capacitor should be inserted into a container filled with metal balls of about 1mm diameter. Finally, AC2600V (r.m.s.)<50/60Hz> is applied for 60 s between the capacitor lead wires and metal balls.												
7	Temperature characteristic	Within +20/-55% (Temp. range : -25 to +85°C)	The capacitance measurement should be made at each step specified in Table. <table border="1" style="margin: 10px auto; border-collapse: collapse;"> <thead> <tr> <th style="width: 15%;">Step</th> <th style="width: 10%;">1</th> <th style="width: 10%;">2</th> <th style="width: 10%;">3</th> <th style="width: 10%;">4</th> <th style="width: 10%;">5</th> </tr> </thead> <tbody> <tr> <td>Temp.(°C)</td> <td>20±2</td> <td>-25±2</td> <td>20±2</td> <td>85±2</td> <td>20±2</td> </tr> </tbody> </table> •Pre-treatment Capacitor should be stored at 125±3°C for 1 h, then placed at *room condition for 24±2 h before initial measurements.	Step	1	2	3	4	5	Temp.(°C)	20±2	-25±2	20±2	85±2	20±2
Step	1	2	3	4	5										
Temp.(°C)	20±2	-25±2	20±2	85±2	20±2										
8	Solderability	Lead wire should be soldered with uniform coating on the axial direction over 3/4 of the circumferential direction.	Should be placed into steam aging for 8 h±15min. After the steam aging, the lead wire of a capacitor should be dipped into a ethanol solution of 25% rosin and then into molten solder for 5+0/-0.5 sec. The depth of immersion is up to about 1.5 to 2.0mm from the root of lead wires. Temp. of solder: Lead Free Solder(Sn-3Ag-0.5Cu) 245±5°C H63 Eutectic Solder 235±5°C												
* "room condition" Temperature: 15 to 35°C, Relative humidity: 45 to 75%, Atmospheric pressure: 86 to 106kPa															

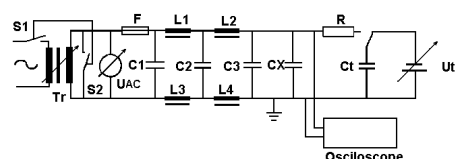
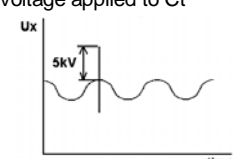
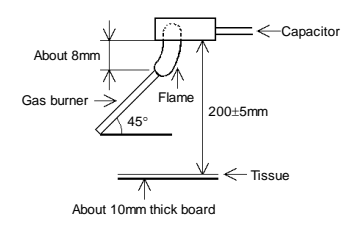
Reference only

No.	Item	Specification	Test method
9	Resistance to Soldering Heat (Non-preheat)	Appearance	No marked defect.
		Capacitance change	Within $\pm 10\%$
		I.R.	1000M Ω min.
		Dielectric Strength	Per Item 6
10	Resistance to Soldering Heat (On-preheat)	Appearance	No marked defect.
		Capacitance change	Within $\pm 10\%$
		I.R.	1000M Ω min.
		Dielectric strength	Per item 6
11	Vibration	Appearance	No marked defect.
		Capacitance	Within the specified tolerance.
		D.F.	2.5% max.
12	Mechanical Shock (Compliant with AEC-Q200)	Appearance	No marked defect.
		Capacitance	Within the specified tolerance.
		D.F.	5.0% max.
		I.R.	10000M Ω min.
13	Humidity (Under steady state)	Appearance	No marked defect.
		Capacitance change	Within $\pm 15\%$
		D.F.	5.0% max.
		I.R.	3000M Ω min.
		Dielectric strength	Per item 6
			<p>As shown in figure, the lead wires should be immersed in solder of $260\pm 5^{\circ}\text{C}$ up to 1.5 to 2.0mm from the root of terminal for 10 ± 1 s.</p>  <p>•Pre-treatment Capacitor should be stored at $125\pm 3^{\circ}\text{C}$ for 1 h, then placed at *room condition for 24 ± 2 h before initial measurements.</p> <p>•Post-treatment Capacitor should be stored for 1 to 2 h at *room condition.</p>
			<p>First the capacitor should be stored at $120+0/-5^{\circ}\text{C}$ for $60+0/-5$ s.</p> <p>Then, as in figure, the lead wires should be immersed solder of $260+0/-5^{\circ}\text{C}$ up to 1.5 to 2.0mm from the root of terminal for $7.5+0/-1$ s.</p>  <p>Pre-treatment : Capacitor should be stored at $125\pm 3^{\circ}\text{C}$ for 1 h, then placed at *¹room condition for 24 ± 2 h before initial measurements.</p> <p>Post-treatment : Capacitor should be stored for 1 to 2 h at *¹room condition.</p>
			<p>Solder the capacitor and gum up the body to the test jig (glass epoxy board) by resin(adhesive).</p>  <p>The capacitor should be firmly soldered to the supporting lead wire, 1.5mm in total amplitude, with about 20 minutes rate of vibration change from 10Hz to 2000Hz and back to 10Hz.</p> <p>This motion should be applied for 12 times in each 3 mutually perpendicular directions (total of 36 times).</p> <p>The acceleration is 5g max..</p>
			<p>Solder the capacitor and gum up the body to the test jig (glass epoxy board) by resin(adhesive).</p>  <p>Three shocks in each direction should be applied along 3 mutually perpendicular axes to and from of the test specimen (18 shocks).</p> <p>The specified test pulse should be Half-sine and should have a duration :0.5ms, peak value:100g and velocity change: 4.7m/s.</p>
			<p>Set the capacitor for 1000 ± 12 h at $85\pm 3^{\circ}\text{C}$ in 80 to 85% relative humidity.</p> <p>•Pre-treatment Capacitor should be stored at $125\pm 3^{\circ}\text{C}$ for 1 h, then placed at *room condition for 24 ± 2 h before initial measurements.</p> <p>•Post-treatment Capacitor should be stored for 1 to 2 h at *room condition.</p>
<p>* "room condition" Temperature: 15 to 35°C, Relative humidity: 45 to 75%, Atmospheric pressure: 86 to 106kPa</p>			

Reference only

No.	Item	Specification	Test method			
14	Humidity loading	Appearance	No marked defect.			
		Capacitance change	Within $\pm 15\%$			
		D.F.	5.0% max.			
		I.R.	3000M Ω min.			
15	Life	Dielectric strength	No marked defect.			
		Capacitance change	Within $\pm 20\%$			
		I.R.	3000M Ω min.			
		Dielectric strength	Per item 6			
16	Flame test	The capacitor flame discontinue as follows.	<p>The capacitor should be subjected to applied flame for 15 s. and then removed for 15 s until 5 cycles are completed.</p> 			
		<table border="1" style="margin-left: auto; margin-right: auto;"> <thead> <tr> <th>Cycle</th> <th>Time</th> </tr> </thead> <tbody> <tr> <td>1 to 4</td> <td>30 s max.</td> </tr> <tr> <td>5</td> <td>60 s max.</td> </tr> </tbody> </table>		Cycle	Time	1 to 4
Cycle	Time					
1 to 4	30 s max.					
5	60 s max.					
17	Robustness of terminations	Tensile	Lead wire should not cut off. Capacitor should not be broken.			
		Bending	<p>As shown in the figure at right, fix the body of the capacitor and apply a tensile weight gradually to each lead wire in the radial direction of the capacitor up to 10N, and keep it for 10 ± 1 s.</p>  <p>Each lead wire should be subjected to 5N of weight and bent 90° at the point of egress, in one direction, then returned to its original position, and bent 90° in the opposite direction at the rate of one bend in 2 to 3 s.</p>			
<p>* "room condition" Temperature: 15 to 35°C, Relative humidity: 45 to 75%, Atmospheric pressure: 86 to 106kPa</p>						

Reference only

No.	Item	Specification	Test method																									
18	Active flammability	The cheese-cloth should not be on fire.	<p>The capacitors should be individually wrapped in at least one, but not more than two, complete layers of cheese-cloth. The capacitor should be subjected to 20 discharges. The interval between successive discharges should be 5 s. The U_{AC} should be maintained for 2min after the last discharge.</p>  <p> $C_{1,2}$: $1\mu F \pm 10\%$, C_3 : $0.033\mu F \pm 5\%$ 10kV L_1 to L_4 : $1.5mH \pm 20\%$ 16A Rod core choke R : $100\Omega \pm 2\%$, C_t : $3\mu F \pm 5\%$ 10kV U_{AC} : $U_R \pm 5\%$ U_R : Rated working voltage C_x : Capacitor under test F : Fuse, Rated 10A U_t : Voltage applied to C_t </p> 																									
19	Passive flammability	The burning time should not be exceeded the time 30 s. The tissue paper should not ignite.	<p>The capacitor under test should be held in the flame in the position which best promotes burning. Time of exposure to flame is for 30 s.</p> <p> Length of flame : 12 ± 1mm Gas burner : Length 35mm min. Inside Dia. 0.5 ± 0.1mm Outside Dia. 0.9mm max. Gas : Butane gas Purity 95% min. </p> 																									
20	Temperature Cycle (Compliant with AEC-Q200)	<table border="1"> <tr> <td>Appearance</td> <td>No marked defect.</td> </tr> <tr> <td>Capacitance change</td> <td>Within $\pm 20\%$</td> </tr> <tr> <td>D.F.</td> <td>5.0% max.</td> </tr> <tr> <td>I.R.</td> <td>3000MΩ min.</td> </tr> <tr> <td>Dielectric strength</td> <td>Per Item 6.</td> </tr> </table>	Appearance	No marked defect.	Capacitance change	Within $\pm 20\%$	D.F.	5.0% max.	I.R.	3000M Ω min.	Dielectric strength	Per Item 6.	<p>The capacitor should be subjected to 1000 temperature cycles.</p> <table border="1"> <thead> <tr> <th>Step</th> <th>Temperature(°C)</th> <th>Time(min.)</th> </tr> </thead> <tbody> <tr> <td>1</td> <td>-55+0/-3</td> <td>30</td> </tr> <tr> <td>2</td> <td>Room temp.</td> <td>3</td> </tr> <tr> <td>3</td> <td>+125+3/-0</td> <td>30</td> </tr> <tr> <td>4</td> <td>Room temp.</td> <td>3</td> </tr> </tbody> </table> <p> •Pre-treatment Capacitor should be stored at $125 \pm 3^\circ C$ for 1 h, then placed at *room condition for 24 ± 2 h. •Post-treatment Capacitor should be stored for 24 ± 2 h at *room condition. </p>	Step	Temperature(°C)	Time(min.)	1	-55+0/-3	30	2	Room temp.	3	3	+125+3/-0	30	4	Room temp.	3
Appearance	No marked defect.																											
Capacitance change	Within $\pm 20\%$																											
D.F.	5.0% max.																											
I.R.	3000M Ω min.																											
Dielectric strength	Per Item 6.																											
Step	Temperature(°C)	Time(min.)																										
1	-55+0/-3	30																										
2	Room temp.	3																										
3	+125+3/-0	30																										
4	Room temp.	3																										
21	High Temperature Exposure (Storage) (Compliant with AEC-Q200)	<table border="1"> <tr> <td>Capacitance change</td> <td>Within $\pm 20\%$</td> </tr> <tr> <td>D.F.</td> <td>5.0% max.</td> </tr> <tr> <td>I.R.</td> <td>1000MΩ min.</td> </tr> </table>	Capacitance change	Within $\pm 20\%$	D.F.	5.0% max.	I.R.	1000M Ω min.	<p>Sit the capacitor for $1,000 \pm 12$ h at $150 \pm 3^\circ C$.</p> <p> •Pre-treatment Capacitor should be stored at $125 \pm 3^\circ C$ for 1 h, then placed at *room condition for 24 ± 2 h. •Post-treatment Capacitor should be stored for 24 ± 2 h at *room condition. </p>																			
Capacitance change	Within $\pm 20\%$																											
D.F.	5.0% max.																											
I.R.	1000M Ω min.																											
<p>*"room condition" Temperature: 15 to $35^\circ C$, Relative humidity: 45 to 75%, Atmospheric pressure: 86 to 106kPa</p>																												

Reference only

No.	Item	Specification	Test method									
22	Thermal Shock (Compliant with AEC-Q200)	Appearance	The capacitor should be subjected to 300 cycles. <table border="1" style="margin: 10px auto; border-collapse: collapse;"> <thead> <tr> <th>Step</th> <th>Temperature(°C)</th> <th>Time(min.)</th> </tr> </thead> <tbody> <tr> <td>1</td> <td>-55±0/-3</td> <td>30</td> </tr> <tr> <td>2</td> <td>125±3/0</td> <td>30</td> </tr> </tbody> </table> <ul style="list-style-type: none"> •Pre-treatment Capacitor should be stored at 125±3°C for 1 h, then placed at *room condition for 24±2 h. •Post-treatment Capacitor should be stored for 24±2 h at *room condition. 	Step	Temperature(°C)	Time(min.)	1	-55±0/-3	30	2	125±3/0	30
		Step		Temperature(°C)	Time(min.)							
		1		-55±0/-3	30							
		2		125±3/0	30							
Capacitance change	Within ±20%											
D.F.	5.0% max.											
I.R.	3000MΩ min.											
23	Resistance to Solvents (Compliant with AEC-Q200)	Appearance	Per MIL-STD-202 Method 215 Solvent 1 : 1 part (by volume) of isopropyl alcohol 3 parts (by volume) of mineral spirits Solvent 2 : Terpene defluxer Solvent 3 : 42 parts (by volume) of water 1 part (by volume) of propylene glycol monomethyl ether 1 part (by volume) of monoethanolamine									
		Capacitance change		Within ±20%								
		D.F.		5.0% max.								
		I.R.		3000MΩ min.								
24	Biased Humidity (Compliant with AEC-Q200)	Appearance	Apply DC1.3+0.2/-0 V (add 100kΩ resistor) at 85±3°C and 80 to 85% humidity for 1,000±12 h. The charge/discharge current is less than 50mA <ul style="list-style-type: none"> •Pre-treatment Capacitor should be stored at 125±3°C for 1 h, then placed at *room condition for 24±2 h. •Post-treatment Capacitor should be stored for 24±2 h at *room condition. 									
		Capacitance change		Within ±15%								
		D.F.		5.0% max.								
		I.R.		3000MΩ min.								
25	Moisture Resistance (Compliant with AEC-Q200)	Appearance	Apply the 24 h heat(25 to 65°C) and humidity(80 to 98%) treatment shown below, 10 consecutive times. <div style="text-align: center;"> <p style="font-size: small;">Temperature (°C)</p> <p style="font-size: small;">Humidity 90-98%</p> <p style="font-size: small;">Humidity 80-98%</p> <p style="font-size: small;">Humidity 90-98%</p> <p style="font-size: small;">Humidity 80-98%</p> <p style="font-size: small;">Humidity 90-98%</p> <p style="font-size: small;">Initial measurement</p> <p style="font-size: small;">+10 - 2°C</p> <p style="font-size: small;">One cycle 24 hours</p> <p style="font-size: small;">Hours</p> </div> <ul style="list-style-type: none"> •Post-treatment Capacitor should be stored for 24±2 h at *room condition. 									
		Capacitance change		Within ±20%								
		D.F.		5.0% max.								
		I.R.		3000MΩ min.								

* "room condition" Temperature: 15 to 35°C, Relative humidity: 45 to 75%, Atmospheric pressure: 86 to 106kPa

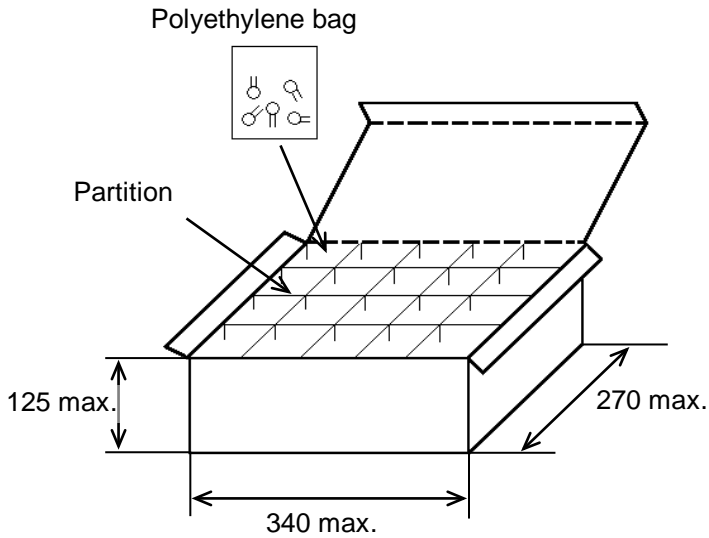
Reference only

6.Packing specification

- Bulk type (Packing style code : B)

The number of packing = $\frac{\text{Packing quantity}}{\text{Packing quantity}} \times n$

The size of packing case and packing way



- *1 : Please refer to [Part number list].
- *2 : Standard n = 20 (bag)

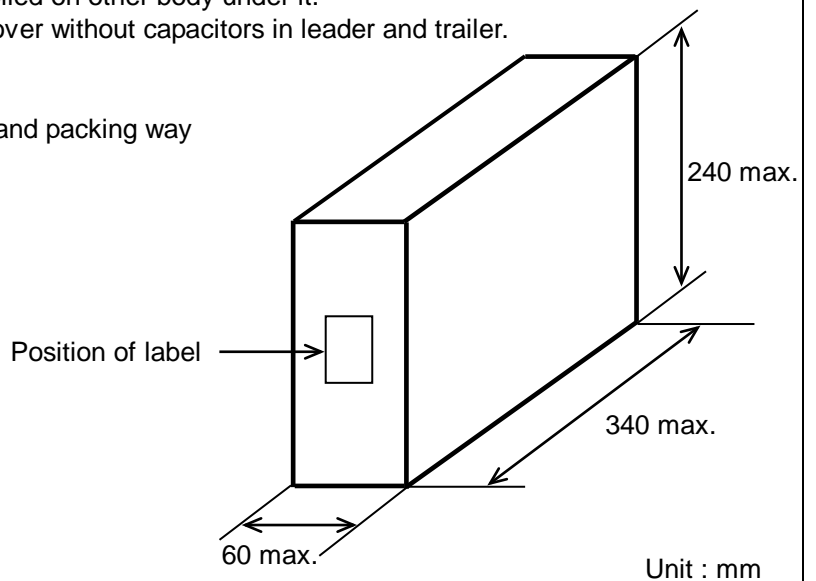
Note)
The outer package and the number of outer packing be changed by the order getting amount.

Unit : mm

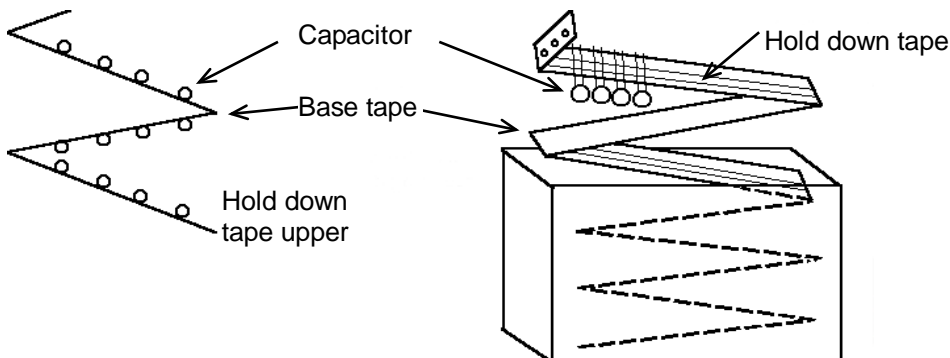
- Ammo pack taping type (Packing style code : A)

- The tape with capacitors is packed zigzag into a case.
- When body of the capacitor is piled on other body under it.
- There should be 3 pitches and over without capacitors in leader and trailer.

The size of packing case and packing way



Unit : mm



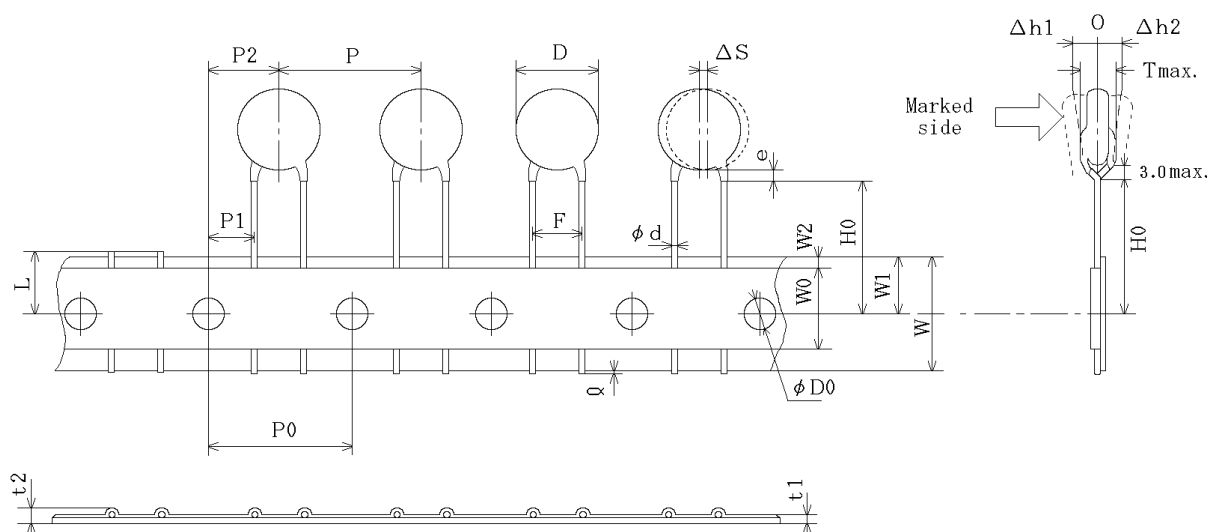
Reference only

7. Taping specification

7-1. Dimension of capacitors on tape

Vertical crimp taping type < Lead code : N3 >

Pitch of component 15.0mm / Lead spacing 7.5mm



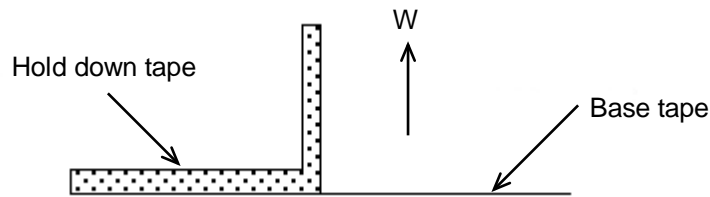
Unit : mm

Item	Code	Dimensions	Remarks
Pitch of component	P	15.0±2.0	
Pitch of sprocket hole	P0	15.0±0.3	
Lead spacing	F	7.5±1.0	
Length from hole center to component center	P2	7.5±1.5	Deviation of progress direction
Length from hole center to lead	P1	3.75±1.0	
Body diameter	D	Please refer to [Part number list].	
Deviation along tape, left or right	ΔS	0±2.0	They include deviation by lead bend .
Carrier tape width	W	18.0±0.5	
Position of sprocket hole	W1	9.0±0.5	Deviation of tape width direction
Lead distance between reference and bottom planes	H0	18.0 $\pm_{0}^{2.0}$	
Protrusion length	Q	+0.5~-1.0	
Diameter of sprocket hole	φD0	4.0±0.1	
Lead diameter	φd	0.60±0.05	
Total tape thickness	t1	0.6±0.3	They include hold down tape thickness.
Total thickness, tape and lead wire	t2	1.5 max.	
Deviation across tape, front	Δh1	2.0 max.	
Deviation across tape, rear	Δh2		
Portion to cut in case of defect	L	11.0 $\pm_{1.0}^0$	
Hold down tape width	W0	11.5 min.	
Hold down tape position	W2	1.5±1.5	
Coating extension on lead	e	Up to the end of crimp	
Body thickness	T	Please refer to [Part number list].	

Reference only

7-2. Splicing way of tape

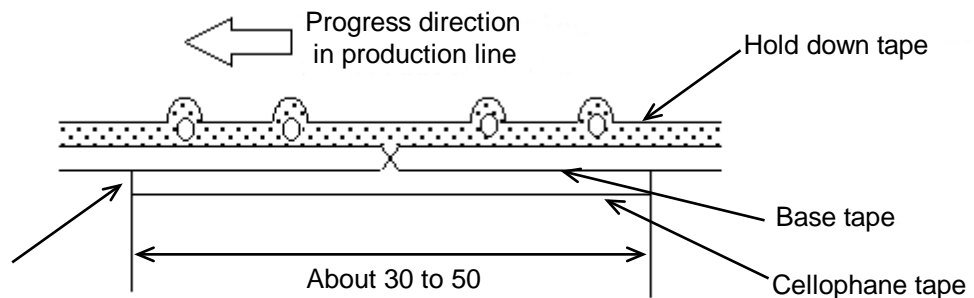
- 1) Adhesive force of tape is over 3N at test condition as below.



2) Splicing of tape

- a) When base tape is spliced

- Base tape should be spliced by cellophane tape.
(Total tape thickness should be less than 1.05mm.)

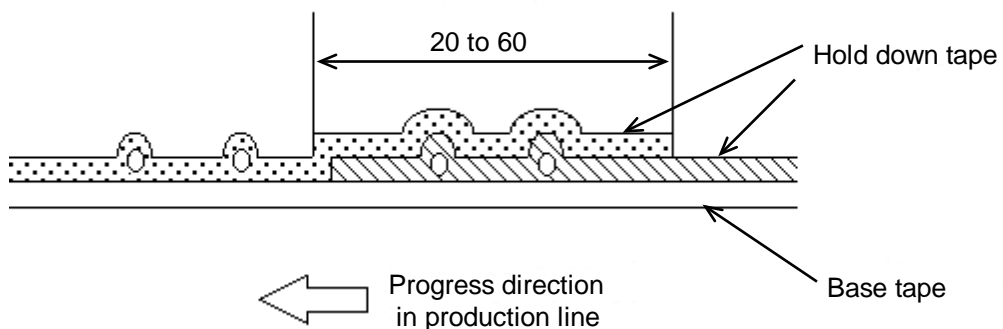


No lifting for the direction of progressing

Unit : mm

- b) When hold down tape is spliced

- Hold down tape should be spliced with overlapping.
(Total tape thickness should be less than 1.05mm.)



Unit : mm

- c) When both tape are spliced

- Base tape and hold down tape should be spliced with splicing tape.

3) Missing components

- There should be no consecutive missing of more than three components.
- The number of missing components should be not more than 0.5% of total components that should be present in a Ammo pack.

EU RoHS and Halogen Free

This products of the following crresponds to EU RoHS and Halogen Free

(1) RoHS

EU RoHs 2011/65/EC compliance

maximum concentration values tolerated by weight in homogeneous materials

- 1000 ppm maximum Lead
- 1000 ppm maximum Mercury
- 100 ppm maximum Cadmium
- 1000 ppm maximum Hexavalent chromium
- 1000 ppm maximum Polybrominated biphenyls (PBB)
- 1000 ppm maximum Polybrominated diphenyl ethers (PBDE)

(2) Halogen-Free

The International Electrochemical Commission' s (IEC) Definition of Halogen-Free (IEC 61249-2-21) compliance

- 900 ppm maximum chlorine
- 900 ppm maximum bromine
- 1500 ppm maximum total chlorine and bromine

Mouser Electronics

Authorized Distributor

Click to View Pricing, Inventory, Delivery & Lifecycle Information:

Murata:

[DE6E3KJ222MB3B](#) [DE6E3KJ332MB3B](#) [DE6E3KJ472MB3B](#) [DE6E3KJ222MN3A](#) [DE6E3KJ332MN3A](#)
[DE6E3KJ102MA3B](#) [DE6E3KJ152MA3B](#) [DE6E3KJ222MA3B](#) [DE6E3KJ332MA3B](#) [DE6E3KJ472MA3B](#)
[DE6E3KJ102MB3B](#) [DE6E3KJ152MB3B](#) [DE6E3KJ102MN3A](#) [DE6E3KJ152MN3A](#) [DE6E3KJ472MN3A](#)