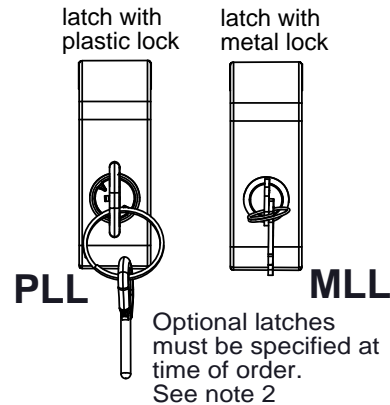
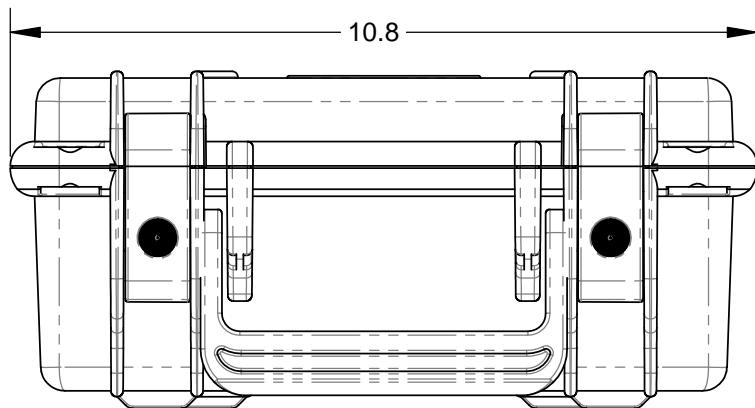
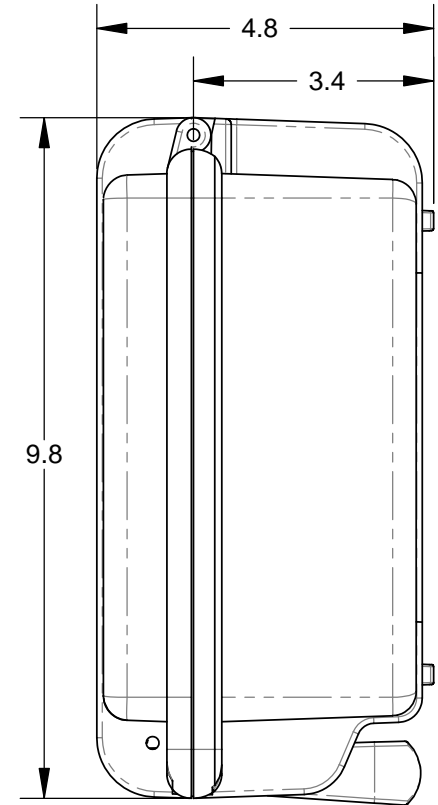
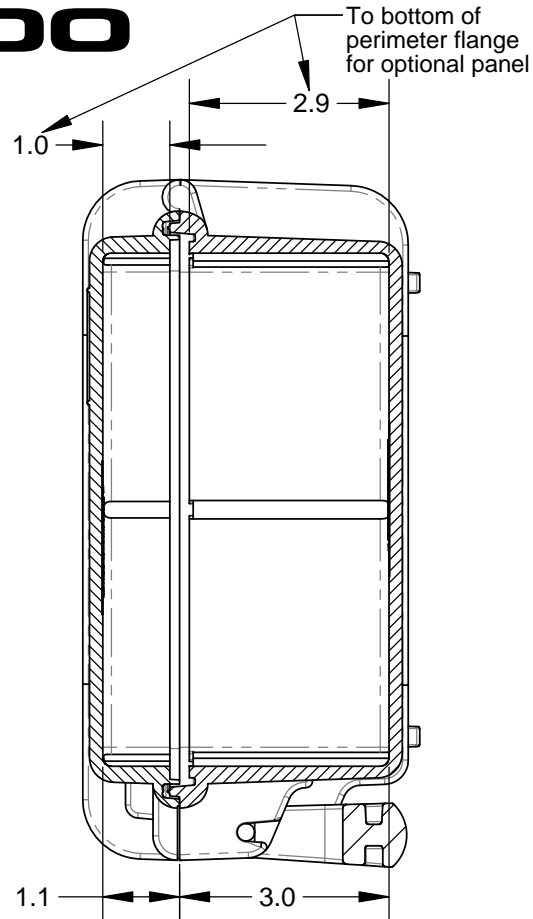
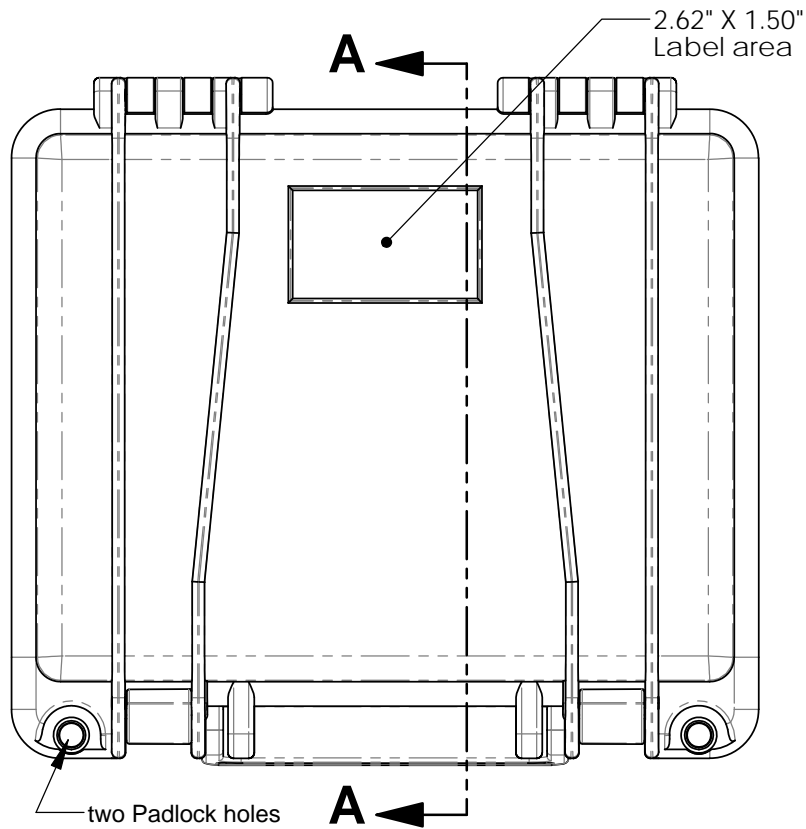


SERPAC SE300

Electronic Enclosures



NOTES:

- 1) Max. usable inside dimensions are:
9 1/2" X 7 3/8" X 4 1/8" (9.5" X 7.4" X 4.1")
- 2) With Metal Lock Latches p/n SE300ML and Plastic Lock Latches p/n SE300PL are optional.

Mouser Electronics

Authorized Distributor

Click to View Pricing, Inventory, Delivery & Lifecycle Information:

SERPAC:

[SE300,OR](#) [SE300FPL,YL](#) [SE300PL,YL](#) [SE300F,GM](#) [SE300F,OR](#) [SE300,YL](#) [SE300F,YL](#) [SE300, PK](#) [SE300F, PK](#)
[SE300,DT](#) [SE300F,DT](#)