

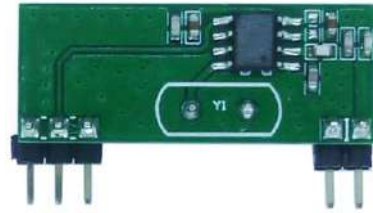


Type: ASK/OOK Super-Heterodyne Receiver Module

Model: CY36-XXX

Description:

The CY36 is a super heterodyne wireless receiving module. This module adopts the industrial grade RF wireless data transmission receiving chip of European brand, which is a high performance of the receiving module of ISM frequency band. It has higher receiver sensitivity and stronger anti-interference ability. Any circuit that can be done without additional wireless signal input to the data signal output. Users only need to plus simple data decoding circuit, can easily achieve the development of wireless products.



Order Information:

Model NO.	Frequency
CY36-315	315 MHz
CY36-433.92	433.92 MHz

Features:

- High sensitivity: -112dBm;
- Frequency: 315M/433.92MHz
- Working voltage: VCC= 3.0-5.5 V;
- Low Current: 4.2mA 5V@433.92MHZ / 4.5mA 5V@315MHZ
- Operating Temperature: -20°C~+70°C, can work normally even in the harsh environment temperature.
- Good selectivity and stray radiation inhibition ability, it's easy to go through the international standard such as CE/FCC.
- The good radiation suppression ability, can work together with multiple receiving modules without interfering with each other.

Application

- Remote Keyless Entry (RKE)
- Remote Gate Controls, Brake
- Wireless Security Systems
- Wireless Control Curtain device
- Wireless Industrial Control
- Wireless Data Transmission

Pin Description

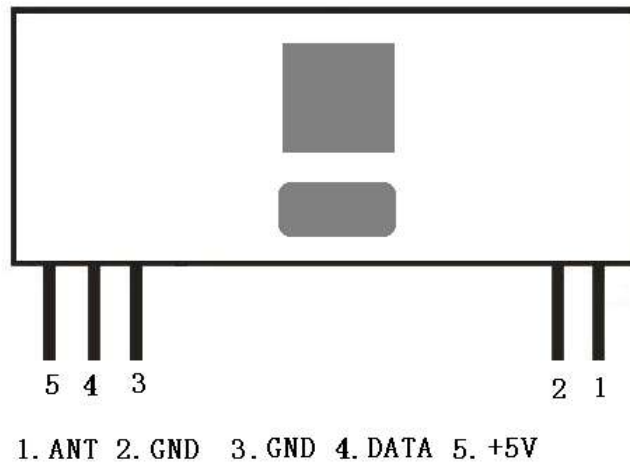


Figure1 CY36 Shape & Pins

Pin Name	Pin Definition
ANT	Antenna input
GND	Ground
GND	Ground
DATA	Data output
+5V	Positive Power Supply

**Electrical Characteristics:**

Condition: Ta=25°C Vcc=5.0V Frequency=315MHz

Parameter	Specification			Unit	Condition
	Min	Typ.	Max		
Frequency range	314.90	315.00	315.10	MHz	
Modulation	ASK				
Receiver Sensitivity		-112		dBm	50Ohm Antenna direct input/1K Kbps
Receiver Bandwidth		200		KHz	
Reception opening time			5	ms	
Working Current	3.7	4.2	4.7	mA	
Working Voltage	3.0	5	5.5	V	RL=500K
Highest Output Voltage when Decoding			5.5	V	
Lowest Output Voltage when Decoding			0.5	V	
Working Temperature	-20		+70	°C	

Condition: Ta=25°C Vcc=5.0V Frequency=433.92MHz

Parameter	Specification			Unit	Condition
	Min	Typ.	Max		
Frequency range	433.82	433.92	434.02	MHz	
Modulation	ASK				
Receiver Sensitivity		-112		dBm	50Ohm Antenna direct input/1K Kbps
Receiver Bandwidth		200		KHz	
Reception opening time			5	ms	
Working Current	4.0	4.5	5.0	mA	
Working Voltage	3.0	5.0	5.5	V	RL=500K
Highest Output Voltage when Decoding			5.5	V	
Lowest Output Voltage when Decoding			0.5	V	
Working Temperature	-20		+70	°C	



Mechanical Size: (Unit: MM)

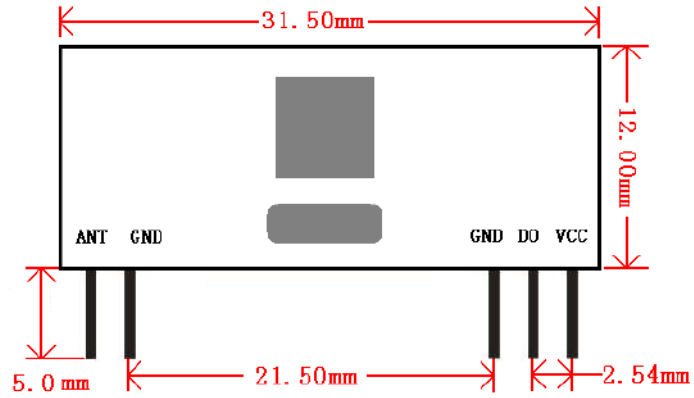


Figure2 CY36 Dimension

For more information and assistance, please contact us as follows:

CY WIRELESS TECHNOLOGY LIMITED

Add: 1407, Block C, Tairan Building, 8th Tairan Road, Futian District,

Shenzhen, Guangdong Province, China

Website: www.rficy.com

Email: info@rficy.com