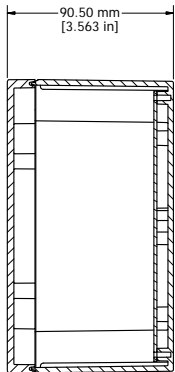
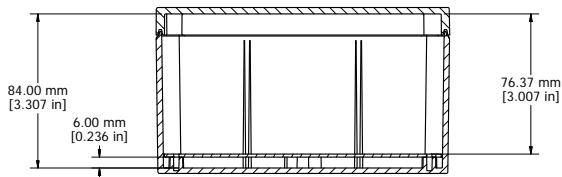


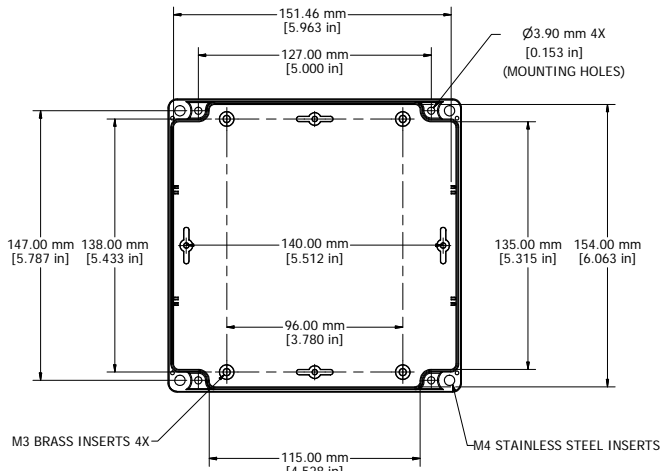
ASSEMBLY



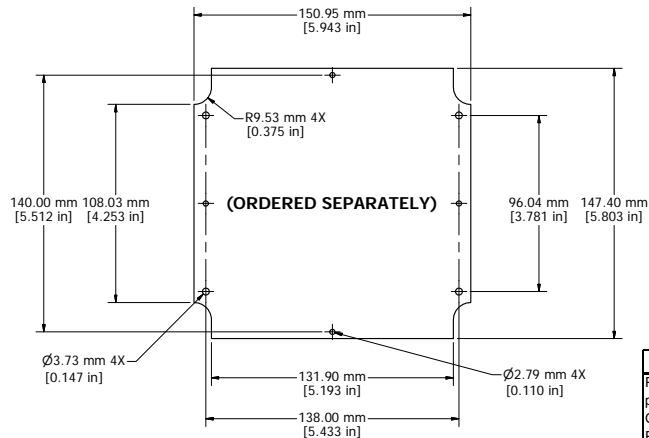
SECTION A-A



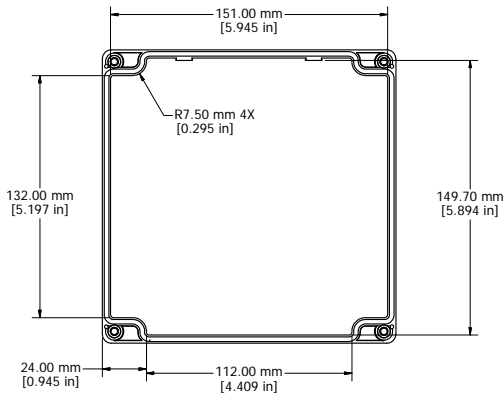
SECTION B-B



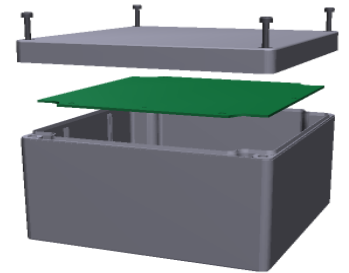
BOX - INSIDE



STEEL INNER PANEL



LID - INSIDE



Polycarbonate Version Only  
**UL US LISTED**  
 File #E65324  
 NEMA 4, 4X

Enclosures can be Factory Modified ( Milling, Drilling, Printing etc. )  
 Contact [mjm@hammondmfg.com](mailto:mjm@hammondmfg.com) for Quotes.  
 Solid models of this enclosure available in STEP or IGES see Web.

NOTE	
Purchased assembly includes box, lid, 4 cover screws, and preformed silicone gasket.	
General Purpose ABS version is not UL approved. (Matl UL94 - HB)	
Polycarbonate version is UL 508 approved. (Matl UL94 - V0)	
<b>Recommended Cover screw torque -- 2.5 lbf-in (30 cN-m)</b>	

1554S	
<b>1554S Regular Enclosure</b>	
General Purpose ABS RAL-7035	1554SGY
Polycarbonate RAL-7035	1554S2GY
<b>1554S Clear / Smoke Lid Enclosure</b>	
Polycarbonate Box / Clear Polycarbonate Lid	1554S2GYCL
Polycarbonate Box / Smoke Polycarbonate Lid	1554S2GYSL
<b>ACCESSORIES</b>	
Steel Inner Panels	1554RPL
Steel Panel / P.C. Board Machine Screw [M3 x 8mm Plated]	1591MM100
Steel Panel / P.C. Board Self Tapping Screw [#6 X 1/4" (6.4mm) Plated]	1598ATS100
Cover Screws (Pkg 4) [M4 X 20mm Stainless Steel]	SC1554

**HAMMOND MANUFACTURING™**  
 1554S  
[www.hammondmfg.com](http://www.hammondmfg.com)