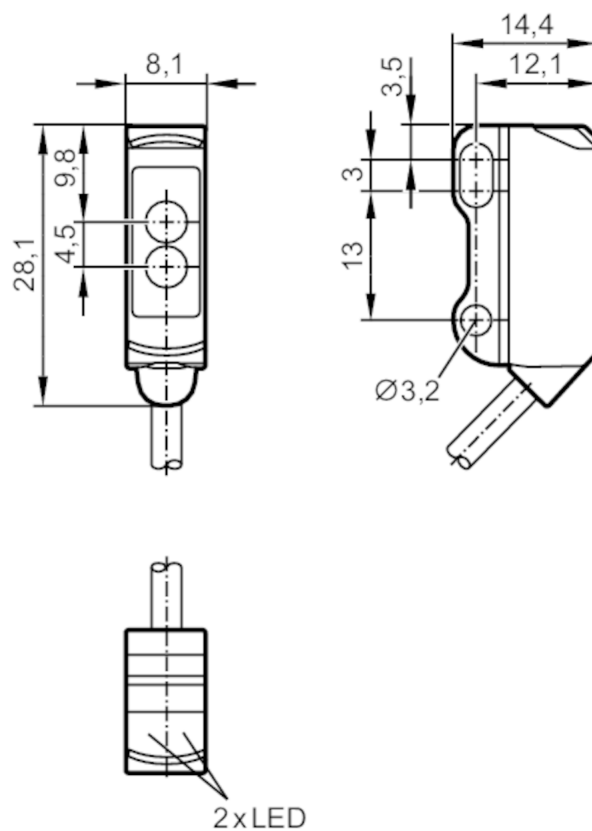


# O8P202



## Retro-reflective sensor

O8P-DPKG/IO-Link/0,30M/AS/3P



receiver in upper lens  
transmitter in lower lens



Application	
Function principle	Retro-reflective sensor
Electrical data	
Operating voltage [V]	10...30 DC
Current consumption [mA]	20; ((24 V))
Protection class	III
Reverse polarity protection	yes
Type of light	red light
Wave length [nm]	633

# O8P202



## Retro-reflective sensor

O8P-DPKG/IO-Link/0,30M/AS/3P

Outputs		
Output function		dark-on mode
Max. voltage drop switching output DC [V]		2.5
Permanent current rating of switching output DC [mA]		100
Switching frequency DC [Hz]		1000
Electrical design		PNP
Short-circuit protection		yes
Type of short-circuit protection		pulsed
Range		
Range [mm]		20...1800; (Prismatic reflector Ø 30 E20004)
Range adjustable		yes
Max. light spot diameter [mm]		120
Light spot dimensions refer to		at maximum range
Polarisation filter available		yes
Interfaces		
Transmission type		COM2 (38.4 kBaud)
IO-Link revision		1.1
SDCI standard		IEC 61131-9
IO-Link device ID		786 d / 00 03 12 h
Profiles		Smart Sensor: Device Identification; Device Diagnosis; Teach Channel; Binary Data Channel
SIO mode		yes
Required master port type		A
Operating conditions		
Ambient temperature [°C]		-25...60
Protection		IP 65; IP 67
Tests / approvals		
EMC		EN 60947-5-2
Mechanical data		
Weight [g]		23
Housing		rectangular
Dimensions [mm]		28.1 x 8.1 x 14.4
Materials		housing: ABS; stainless steel (1.4404 / 316L)
Lens material		PMMA
Displays / operating elements		
Display	switching status	1 x LED, yellow
	operation	1 x LED, green
Remarks		
Pack quantity		1 pcs.

## Retro-reflective sensor

O8P-DPKG/IO-Link/0,30M/AS/3P

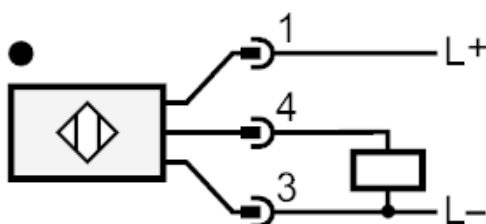
### Electrical connection

Cable: 0.3 m, PVC, black,  $\varnothing$  2.9 mm; 3 x 0.08 mm<sup>2</sup>

Connector: 1 x M8

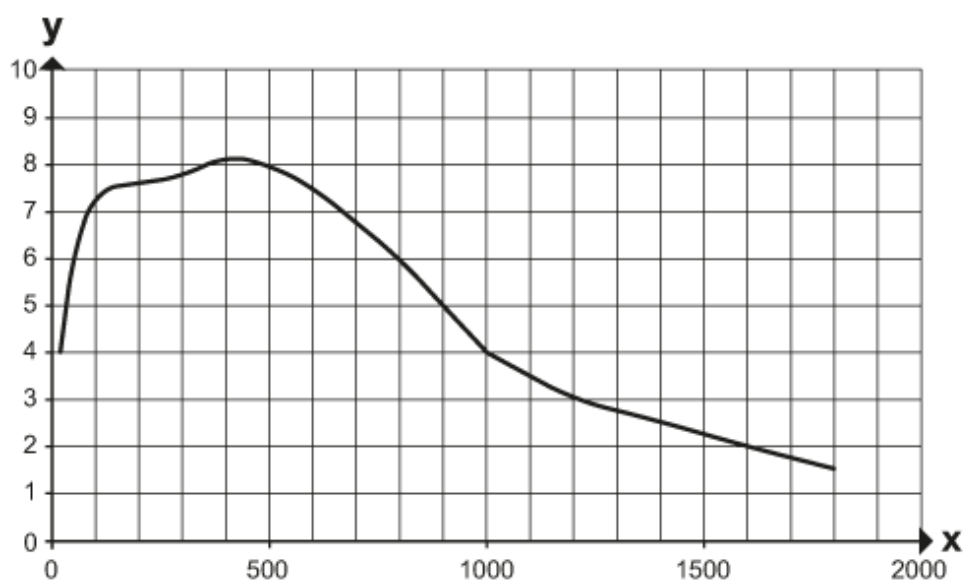


### Connection



### diagrams and graphs

excess gain graph



x: Abstand [mm]

y: Funktionsreservfaktor