

5

4

3

2

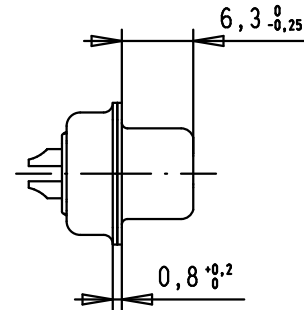
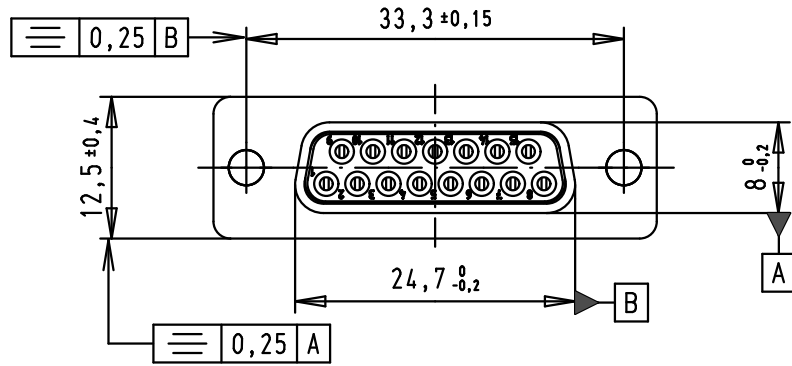
1

SPECIFICATION: C Filter

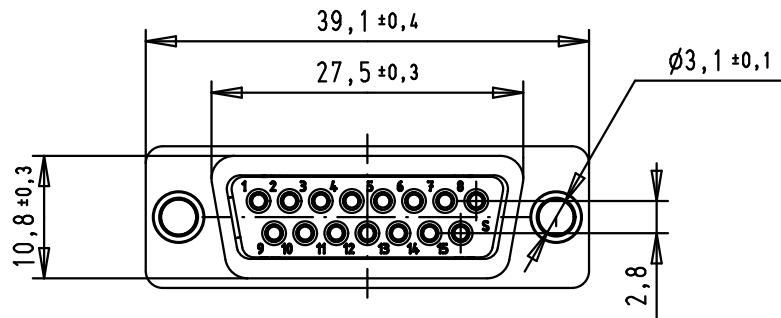
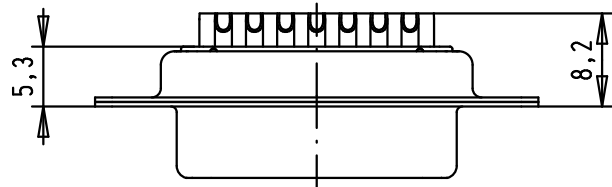
Performance level	PL2
Capacitance	1000pf±20%
Working Voltage	100v
Current Rating	7.5A
Insulation Resistance	>1GΩ

Minimum insetion loss

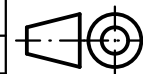
FREQUENCY (MHz)	ATTENUATION dB
5	1dB
10	3dB
50	12dB
100	20dB
500	34dB
1000	30dB



Max wire  $\phi$  1,0 mm



				Dat.	Name
			Detail.	8-JUL-02	CV
			Insp.	12/01/12	JB
36283	12/01/12	SD	Stand.		
31570	06/11/03	AF			
31058	8-JUL-02	CV			
Mod.	Dat.	Name	HARTING EURL F-95972 Paris		



All Dim. in mm  
Orig. Size DIN A 4

D-Sub, Female, Straight  
15 Poles, with turned  
solder bucket and hole

Ma?Mstab/  
Scale

1.5:1



TB 09642117230

Blatt/ Page

1 / 1

Sub.

D

C

B

A

# Mouser Electronics

Authorized Distributor

Click to View Pricing, Inventory, Delivery & Lifecycle Information:

[HARTING:](#)

[09642117230](#)