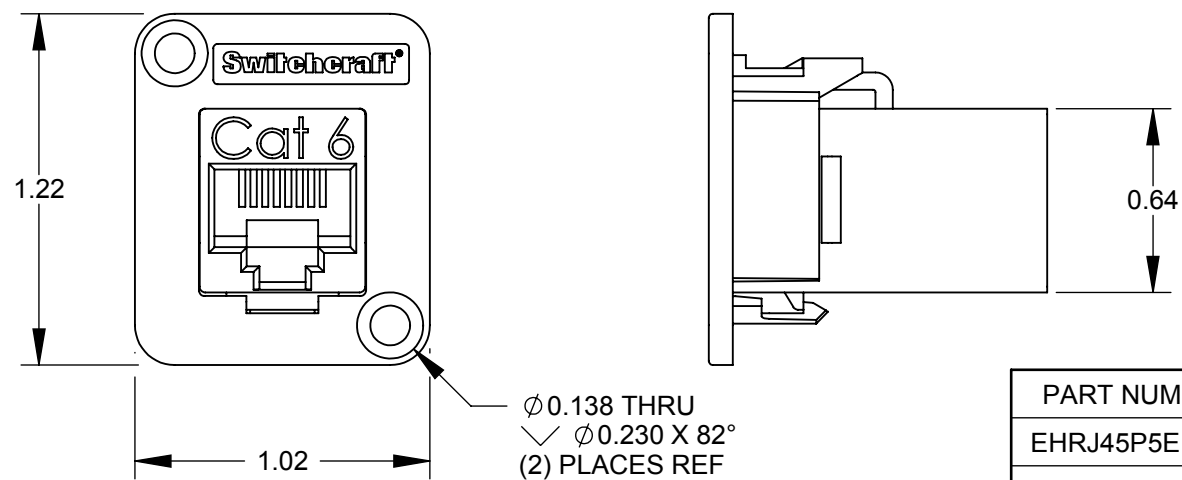
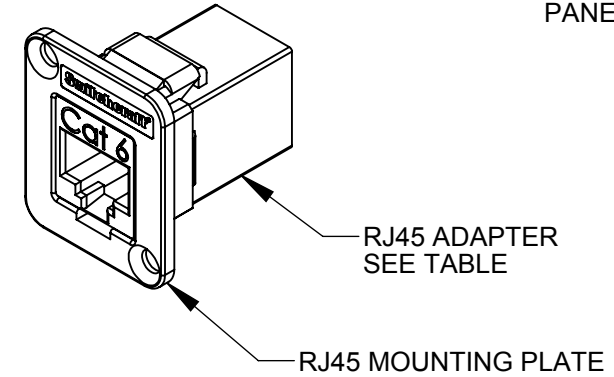
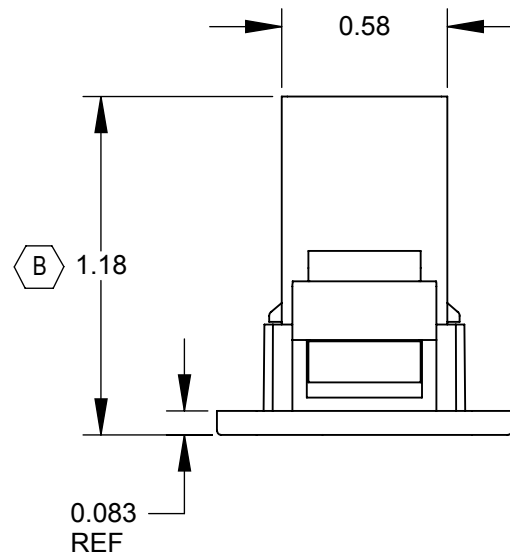
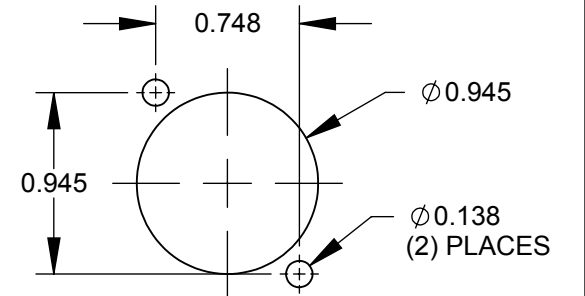


**SHIELDED VERSIONS**  
EHRJ45P5ES  
SHOWN



**UNSHIELDED VERSIONS**  
EHRJ45P6  
SHOWN



RECOMMENDED  
PANEL CUT-OUT

PART NUMBER	RJ45 ADAPTER
EHRJ45P5E	CAT5e UNSHIELDED
EHRJ45P5ES	CAT5e SHIELDED
EHRJ45P6	CAT6 UNSHIELDED
EHRJ45P6S	CAT6 SHIELDED

NOTES:

- ADAPTER MEETS:  
CAT5e: TIA/EIA-568-B.2 STANDARD  
CAT6: TIA/EIA-568-B.2-1 STANDARD
- MATERIALS:  
RJ45 MOUNTING PLATE - THERMOPLASTIC, BLACK  
RJ45 HOUSING - THERMOPLASTIC, BLACK  
RJ45 SHIELD - COPPER ALLOY, NICKEL PLATED
- FOR SCREWS TO BE SHIPPED WITH ASSEMBLY, ADD SUFFIX -PKG TO PART NUMBER.
- WHEN MOUNTING ASSEMBLY, USE A SCREW TORQUE OF 10 INCH-LBS MAXIMUM.
- THIS PRODUCT IS RoHS COMPLIANT.

**CUSTOMER DRAWING**

REVISIONS					UNLESS OTHERWISE SPECIFIED					THIS DRAWING DESCRIBES A DESIGN CONSIDERED PROPRIETARY IN NATURE, DEVELOPED AND MANUFACTURED BY SWITCHCRAFT INC. AND IS RELEASED ON A CONFIDENTIAL BASIS FOR IDENTIFICATION PURPOSES ONLY.					
B	27247	1/21/14	JGK	TJK	1. ALL DIMENSIONS IN INCHES - TWO PLACE DECIMALS ±0.02 - THREE PLACE DECIMALS ±0.005					SIZE	WIDTH	MULT	LBS/M	TEMPER	
A	26387	5/15/09	RS	TJK	DO NOT SCALE DRAWING					FINISH		MATERIAL			
REV	ECO NUMBER	DATE	BY	APVD						SPEC No.		SCALE			SPEC No.
										FIRST USED ON		1.5:1			
										DATE DRAWN	BY	CHKD	APVD		
										7/7/08	JGK	RS	TJK		
										NAME		PART No.			REV
										EH SERIES RJ45, RoHS		EHRJ45P SERIES			<b>B</b>

# Mouser Electronics

Authorized Distributor

Click to View Pricing, Inventory, Delivery & Lifecycle Information:

[Switchcraft:](#)

[EHRJ45P5E](#) [EHRJ45P6S](#) [EHRJ45P5EIDC](#) [EHRJ45P5ESIDC](#) [EHRJ45P6IDC](#) [EHRJ45P6SIDC](#)