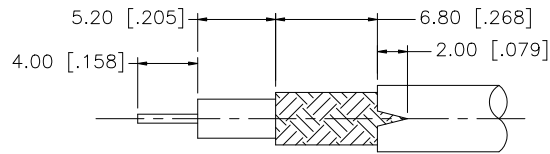
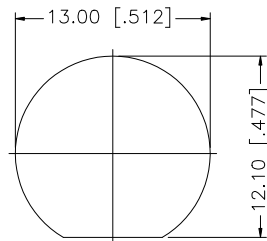
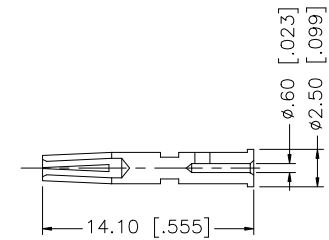
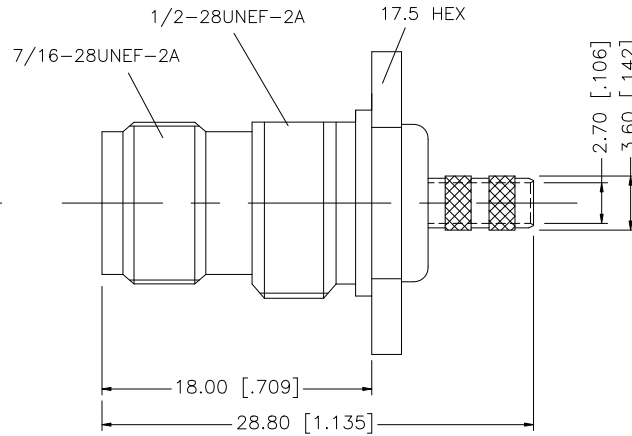
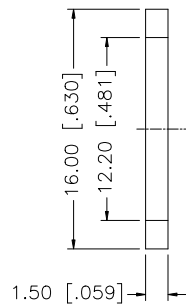
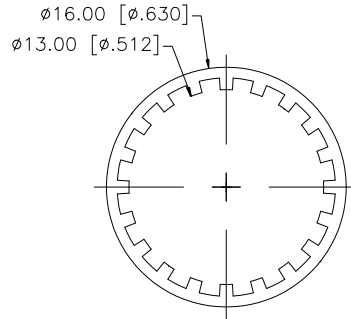
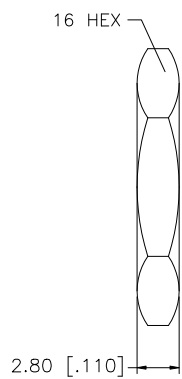


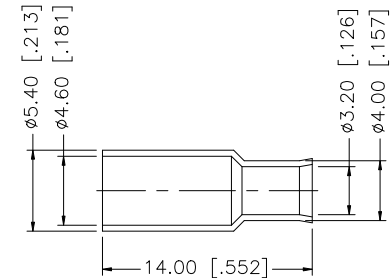
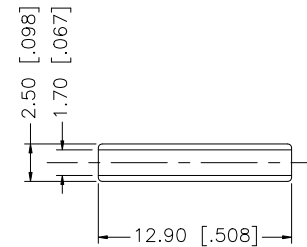
REV.	DATE	ECR NO.	DESCRIPTION
NC	03/20/05	-	INITIAL RELEASE
A	01/20/09	100073	UPDATE DRAWING FORMAT



RECOMMENDED  
CABLE STRIPPING DIM'S



RECOMMENDED  
MOUNTING HOLE



DESCRIPTION	MATERIAL	FINISH	QTY
8 FERRULE	COPPER	NICKEL	1
7 SLEEVE	DELTRIN	NATURAL	1
6 HEX NUT	BRASS	NICKEL	1
5 LOCK WASHER	BRASS	NICKEL	1
4 GASKET	SILICONE	RED	1
3 CONTACT PIN	BER. COPPER	GOLD	1
2 INSULATOR	DELTRIN	NATURAL	1
1 BODY	BRASS	NICKEL	1

UNLESS OTHERWISE SPECIFIED DIMENSIONS ARE IN MILLIMETERS. DIMENSIONS IN [ ] ARE IN INCHES AND FOR CUSTOMER REFERENCE ONLY.

UNLESS OTHERWISE SPECIFIED TOLERANCES FOR MILLIMETERS ARE:  
0.5 - 8mm ± 0.20mm  
8 - 30mm ± 0.40mm  
30 - 120mm ± 0.50mm

UNLESS OTHERWISE SPECIFIED TOLERANCES FOR INCHES ARE:  
.020 - .315 = ± 0.007"  
.315 - 1.180 = ± 0.015"  
1.180 - 4.724 = ± 0.020"

DO NOT SCALE DRAWING

APPROVALS	DATE
DRAWN GRS	01/20/09
CHECKED	
ISSUED	
SHEET 1 OF 1	
CAD FILE	C:/122/122358.DWG

# Amphenol Connex

PART DESCRIPTION
TNC BULKHEAD CRIMP JACK (FOR RG-174/U, 316/U DOUBLE BRAID)
PART NO. 122358
DWG. NO. 122358.DWG
REV. NC
SIZE A
SCALE NA

# Mouser Electronics

Authorized Distributor

Click to View Pricing, Inventory, Delivery & Lifecycle Information:

[Amphenol:](#)

[122358](#)