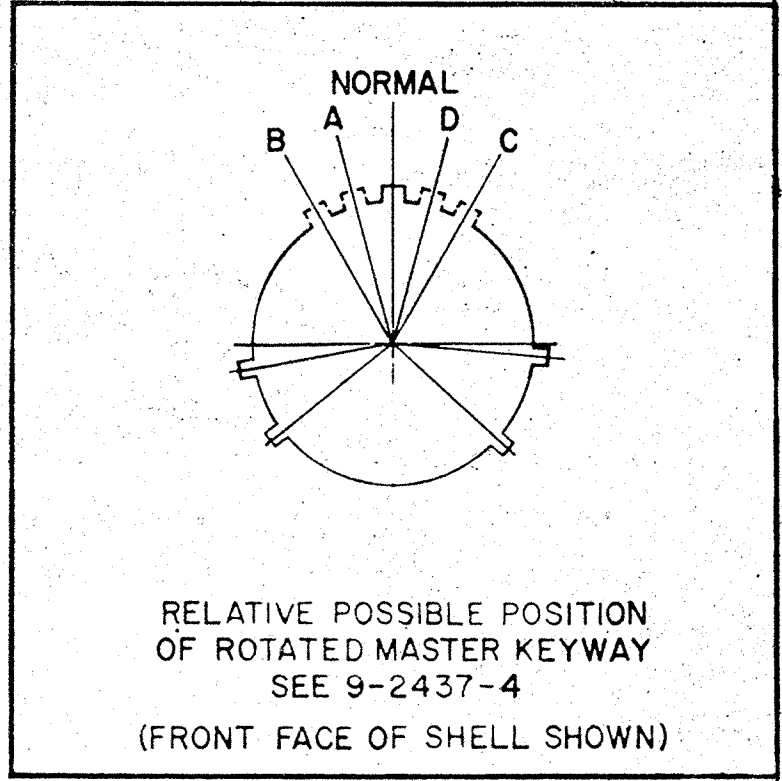
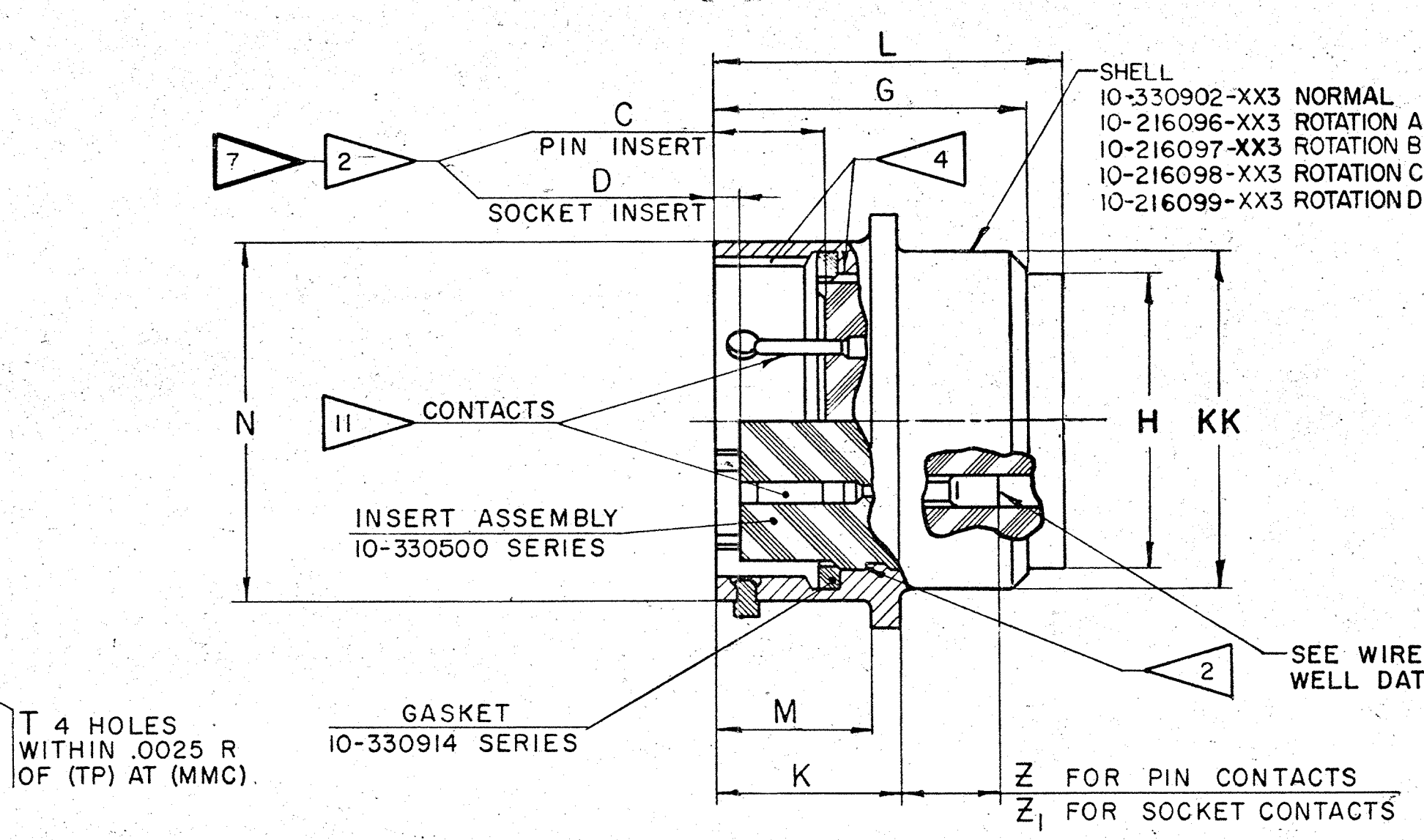
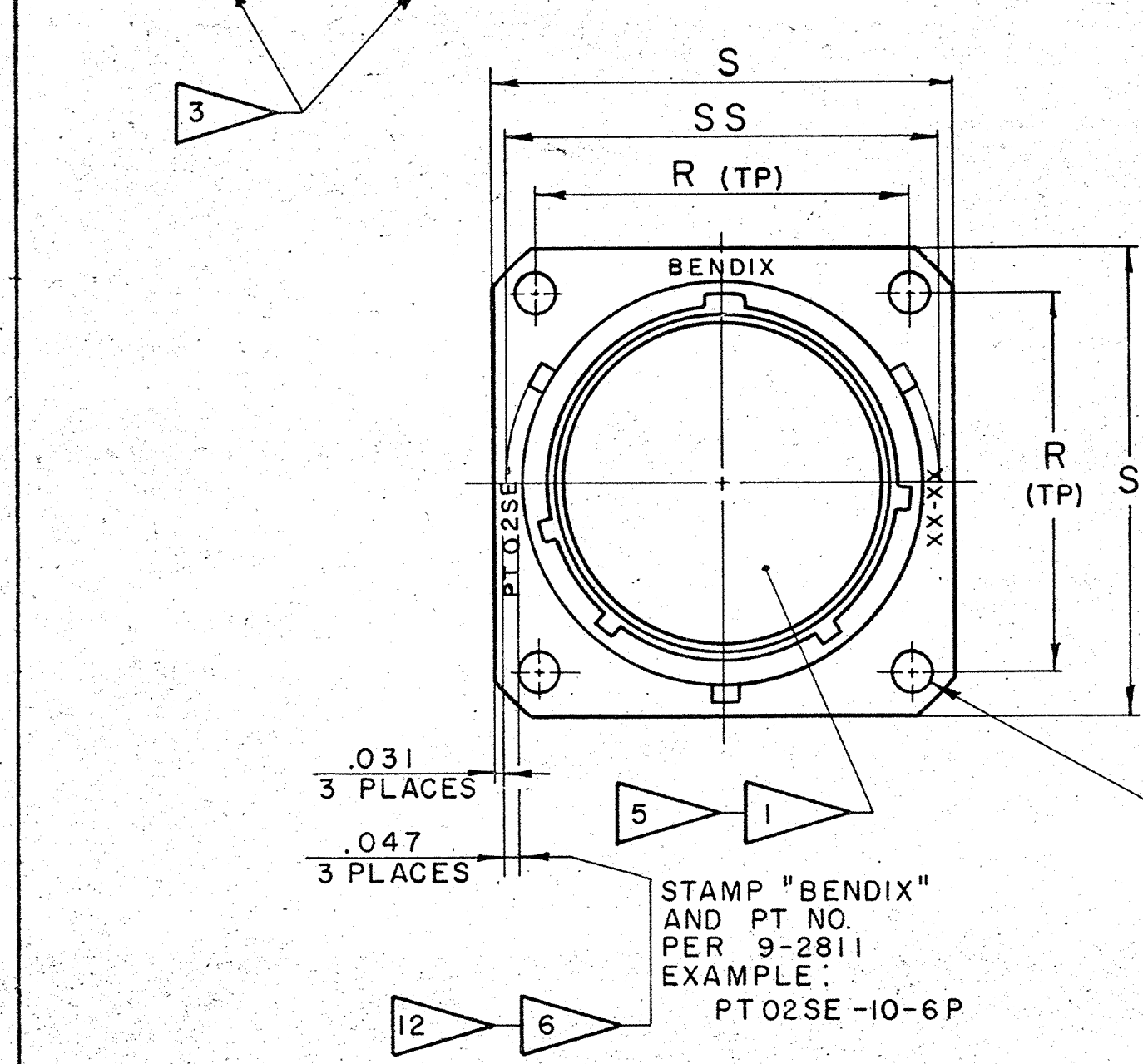


ASSEMBLY NUMBER	PT-SE NUMBER	DIMENSIONS														
		C ±.000 -.020	D ±.000 -.020	G ±.025 -.020	H DIA MAX	K ±.025 -.010	L MAX	M ±.010 -.000	N DIA ±.001 -.005	R (TP)	S ±.016	T DIA ±.005	Z ±.055	Z <sub>1</sub> ±.055	KK DIA ±.011 -.000	SS DIA ±.000 -.016
71-331206-	02SE-6-	NOT AVAILABLE														
71-331208-	-8-	.332	.025	.743	.297	.493	1.328	.431	.473	.594	.812	.120	.509	.448	.438	.563
71-331210-	-10-				.421		1.266		.590	.719	.938				.562	.680
71-331212-	-12-				.546				.750	.812	1.031				.688	.859
71-331214-	-14-				.663				.875	.906	1.125				.812	.984
71-331216-	-16-				.788				1.000	.969	1.219				.938	1.108
71-331218-	-18-				.879				1.125	1.062	1.312				1.062	1.233
71-331220-	-20-	.394	.087	.994	1.014	.650	1.328	.556	1.250	1.156	1.438		.414	.353	1.188	1.358
71-331222-	-22-			.994	1.135	.650		.556	1.375	1.250	1.562		.414	.353	1.312	1.483
71-331224-	-24-			1.058	1.259	.683		.589	1.500	1.375	1.688	.147	.381	.320	1.438	1.612
71-331225/50		NOT AVAILABLE														

REL NO. 36502-358		REVISIONS			COMM REC
CHG NO.	SYM	DESCRIPTION	DATE	APPROVAL	
		FOR CHANGES 1 THRU A5, SEE RECORD DRAWING			
59847	B	(MFG) ADDED NOTE 15	8-9-78 L. HALL	<i>[Signature]</i>	



- NOTES:
- FOR CONTACT ARRANGEMENTS & COAXIAL CONTACT DATA, SEE DRAWINGS L-15206-() THRU L-15250-().
  - DIMENSIONS MUST BE MAINTAINED WHEN INSERTS ARE PRESSED FIRMLY AGAINST INDICATED SHOULDER.
  - TO COMPLETE ASSEMBLY NO. & PT-SE NO., ADD APPLICABLE INSERT ARRANGEMENT SUFFIX TO BASE NUMBERS LISTED ABOVE PER 9-2437-1 OR 9-2437-4.
  - VERTICAL CENTERLINES OF INSERT ARRANGEMENT & THE MAIN SHELL POLARIZING KEYWAY TO BE WITHIN .005 OF INDICATED ROTATION PER 9-2437-1.
  - INSERT ASSEMBLIES ARE NOT REMOVABLE.
  - SEE WORK ORDER FOR PERMISSIBLE ADDITIONAL OR ALTERNATE STAMPING.
  - INSERT LOCATING DIMENSIONS APPLY BEFORE ASSEMBLY OF CONTACTS.
  - FOR COMPONENT PART NUMBERS OF DESIRED ARRANGEMENT, SEE APPLICABLE PARTS LIST (PL).
  - SEE DRAWING 71-331606/50 & OTHERS FOR REQUIRED MATING PLUG ASSEMBLY.
  - STAMPING MAY BE ON EITHER SIDE OF FLANGE (ONE SIDE ONLY).
  - PLACE CONTACTS IN AN APPLICABLE POLYETHYLENE BAG 10-215999 SERIES (SEE PARTS LIST) & INCLUDE IN A POLYETHYLENE BAG CONTAINING CONNECTOR.
  - FOR FINAL INSTALLATION, CONTACTS MUST BE ASSEMBLED INTO ALL INSERT HOLES.
  - UNITS ILLUSTRATED MEET THE MATERIAL & FINISH REQUIREMENTS OF MIL-C-26482.
  - SEE INDIVIDUAL DRAWINGS FOR 71-331214-22, 71-331214-91, 71-331218-91 & 71-331222-96.

WIRE WELL DATA		
CONTACT SIZE	20	16
CONDUCTOR WELL DIA	.048 +.002 -.000	.066 +.002 -.000
CONDUCTOR WELL DEPTH	.184 +.037 -.000	.234 +.031 -.000
INSULATION WELL DIA	.091 +.002 -.000	NOT AVAILABLE
INSULATION WELL DEPTH	.077 +.006 -.000	NOT AVAILABLE

ACCESSORIES				
(NOT PART OF STANDARD ASSEMBLY)				
SEE DRAWING			10-150000	

TEST 9-4039-1  
ASSY 9-3836, 9-2437-19-2437-4  
9-2811

ITEM	REQD	PART NO	DESCRIPTION	UNIT WT	NEXT ASSY	USED ON
LIST OF MATERIAL						
CONNECTOR, ELECTRICAL RECEPTACLE, TYPE PT-SE( )FB, OLIVE DRAB						

UNLESS OTHERWISE SPECIFIED:  
1. TOLERANCES UNLESS OTHERWISE SPECIFIED:  
ANGULAR .015  
2. ALL LOCATIONS TOLERANCES APPLY AT MAXIMUM MATERIAL CONDITION (MMC).  
3. RADIUS FILLETS & BREAK EDGES .005-.010  
4. DIMENSIONS TO CENTER UNLESS OTHERWISE SPECIFIED.  
FOR DRAWING INTERPRETATION SEE SPEC 9-2811

ABBREVIATIONS & SYMBOLS  
MAY BE USED IN THIS DRAWING  
ORIG ENG JOB NO 996  
DRAWN E. FLEMING DATE 12-19-60  
CHECKED Mero DATE 12-19-60  
MATERIAL SPEC HEAT TREAT SPEC  
FINISH SPEC  
SCALE NONE WT CALC (SEE ACT. PL) LBS 71-196-05/50  
DRAWING C TAB

71-331206 THRU 71-331250

SCINTILLA DIVISION  
BENDIX AVIATION CORPORATION  
SIDNEY, N. Y., U.S.A.

71-331206 THRU 71-331250

CODE 77820

# Mouser Electronics

Authorized Distributor

Click to View Pricing, Inventory, Delivery & Lifecycle Information:

## Amphenol:

[PT02SE168P](#) [PT02SE-14-5P](#) [PT02SE-22-55P](#) [PT02SE-14-5S](#) [PT02SE-16-26P](#) [PT02SE-12-10P](#) [PT02SE-12-10S](#)  
[PT02SE-10-6S](#) [PT02SE-10-6P](#) [PT02SE-12-3P](#) [PT02SE-10-6P\(025\)](#) [PT02SE-10-6S\(025\)](#) [PT02SE-12-10P\(025\)](#)  
[PT02SE-12-10S\(025\)](#) [PT02SE-22-55P\(025\)](#) [PT02SE-24-61P\(025\)](#) [PT02SE128P](#) [PT02SE168P\(023\)](#) [PT02SE168S](#)  
[PT02SE-8-33P](#) [PT02SE-14-19S](#) [PT02SE-20-41P](#) [PT02SE-14-19P](#) [PT02SE-14-12S](#) [PT02SE-14-18P](#) [PT02SE-24-](#)  
[61P](#) [PT02SE12-8S](#) [PT02SE-10-6PW](#) [PT02SE-12-10PZ](#) [PT02SE-12-3S](#) [PT02SE-16-26S](#) [PT02SE-16-8P\(025\)](#)  
[PT02SE-16-8S\(025\)](#) [PT02SE-18-32P\(025\)](#) [PT02SE-18-32S\(025\)](#) [PT02SE-20-16P\(025\)](#) [PT02SE-20-16S](#) [PT02SE-](#)  
[20-16S\(025\)](#) [PT02SE-22-55S\(025\)](#) [PT02SE-24-61S\(025\)](#) [PT02SE-18-32PW](#) [PT02SE2041SW](#) [PT02SE1832PX](#)  
[PT02SE-14-18S](#) [PT02SE8-33S](#) [PT02SE-16-8PW](#) [PT02SE-12-10P\(027\)](#) [PT02SE-20-16S\(027\)](#) [PT02SE-16-26SW](#)  
[PT02SE-14-5P\(027\)](#) [PT02SE-22-55SY](#) [PT02SE-12-10S\(027\)](#) [PT02SE-22-21P](#) [PT02SE-12-3PY](#) [PT02SE-16-26PW](#)  
[PT02SE-22-32P](#) [PT02SE-8-33PW](#) [PT02SE-10-6S\(023\)](#) [PT02SE-16-23P](#) [PT02SE-22-25S](#) [PT02SE-14-18P\(023\)](#)  
[PT02SE-20-41S](#) [PT02SE-16-26PY](#) [PT02SE-16-26PZ](#) [PT02SE-14-5P\(023\)](#) [PT02SE-22-41P](#) [PT02SE-18-30S](#)  
[PT02SE-14-12SW](#) [PT02SE-14-5PW](#) [PT02SE-10-6SW](#) [PT02SE-18-11P](#) [PT02SE-12-8P\(025\)](#) [PT02SE-14-15P\(023\)](#)  
[PT02SE-12-10SX](#) [PT02SE-14-5PX](#) [PT02SE-8-33S\(LC\)](#) [PT02SE-14-5PY](#) [PT02SE-14-5PZ](#) [PT02SE-14-12S\(027\)](#)  
[PT02SE16-26SY](#) [PT02SE-14-19PX](#) [PT02SE-14-12SX](#) [PT02SE-18-11S](#) [PT02SE-14-15P](#) [PT02SE-22-21S](#) [PT02SE-](#)  
[14-18PX](#) [PT02SE-22-55PW](#) [PT02SE-14-19S\(027\)](#) [PT02SE-14-19PW](#) [PT02SE-14-19PY](#) [PT02SE-12-10SZ](#) [PT02SE-](#)  
[12-3P\(027\)](#) [PT02SE-14-22P](#) [PT02SE-22-96P](#) [PT02SE-22-25P](#) [PT02SE14-12P-LC](#) [PT02SE-20-39P](#) [PT02SE12-8SX](#)  
[PT02SE16-8S-LC](#) [PT02SE14-12PX-LC](#)