

NOTE

MATERIAL:

1.HOUSING : PBT 15% GLASS FILLED, UL94V0 BLACK.
 THE HOUSING WILL WITHSTAND EXPOSURE TO 260-265°C FOR 3.5 SECONDS
 IN A WAVE SOLDERING APPLICATION.

2.PIN : BRASS

PLATING :

- ③ 2 MICRON MIN SnPb OVER 1.27 MICRON MIN. NICKEL UNDER COAT(FOR LEADED VERSION)
- 2 MICRON MIN MATTE TIN OVER 1.27 MICRON MIN. NICKEL UNDER COAT(FOR LEAD FREE VERSION)
- ④ 0.5 MICRON MIN Au OVER 1.27 MICRON MIN. NICKEL
- ⑤ 0.3 MICRON MIN Au OVER 1.27 MICRON MIN. NICKEL

6. POLARIZED HEADER SPECIFIED POSITION DOSE NOT HAVE PIN AS SHOWN

* 67095-0974TH FROM RIGHT

* 67095-0982ND FROM RIGHT



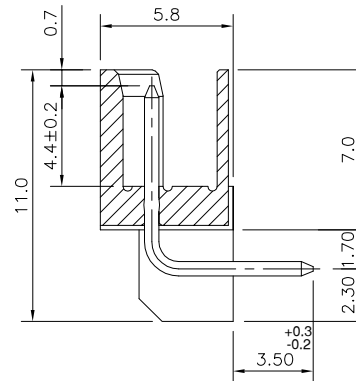
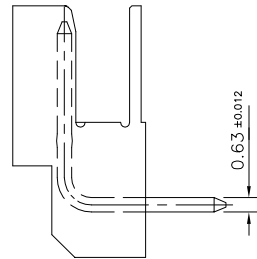
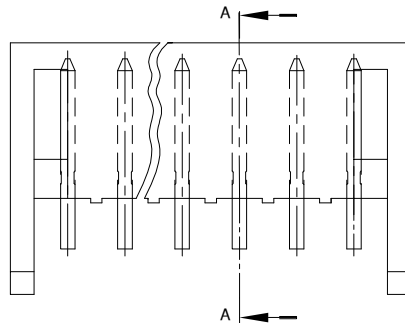
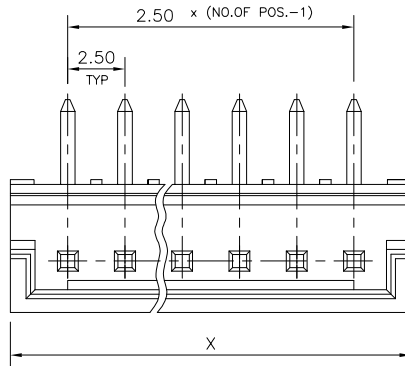
8. OPERATING TEMPERATURE : -25°C TO +85°C

9. MECHANICAL PERFORMANCE
 DURABILITY (MATING CYCLES)

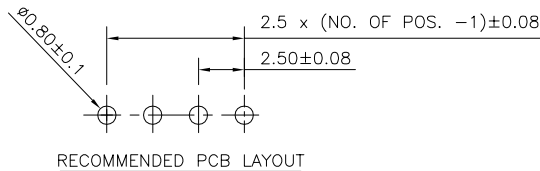
GOLD : 50
 TIN-LEAD : 20
 CONTACT RETENTION - 1.5 KG

10. ELECTRICAL PERFORMANCE

WITHSTANDING VOLTAGE : 750 V
 INSULATION RESISTANCE : 500M Ωmin
 CURRENT RATING : 2 amp DC
 CONTACT RESISTANCE : 20m Ωmax



SECTION-AA



PART NO:	POS	DIM X	PLATING	PART NO:	POS	DIM X	PLATING
67095-098 / 67095-098LF	7	20.0	③	67095-089 / 67095-089LF	15	40.0	
67095-097 / 67095-097LF	5	15.0		67095-088 / 67095-088LF	14	37.5	
67095-094 / 67095-094LF	20	52.5		67095-087 / 67095-087LF	13	35.0	
67095-093 / 67095-093LF	19	50.0		67095-086 / 67095-086LF	12	32.5	
67095-092 / 67095-092LF	18	47.5		67095-085 / 67095-085LF	11	30.0	
67095-091 / 67095-091LF	17	45.0		67095-084 / 67095-084LF	10	27.5	
67095-090 / 67095-090LF	16	42.5		67095-083 / 67095-083LF	9	25.0	
				67095-082 / 67095-082LF	8	22.5	
				67095-081 / 67095-081LF	7	20.0	
				67095-080 / 67095-080LF	6	17.5	
				67095-079 / 67095-079LF	5	15.0	
				67095-078 / 67095-078LF	4	12.5	
				67095-077 / 67095-077LF	3	10.0	
				67095-076 / 67095-076LF	2	7.5	
				67095-075 / 67095-075LF	20	52.5	
				67095-074 / 67095-074LF	19	50.0	
				67095-073 / 67095-073LF	18	47.5	
				67095-072 / 67095-072LF	17	45.0	
				67095-071 / 67095-071LF	16	42.5	
				67095-070 / 67095-070LF	15	40.0	
				67095-069 / 67095-069LF	13	35.0	
				67095-068 / 67095-068LF	12	32.5	
				67095-067 / 67095-067LF	11	30.0	
				67095-066 / 67095-066LF	10	27.5	
				67095-065 / 67095-065LF	9	25.0	
				67095-064 / 67095-064LF	8	22.5	
				67095-063 / 67095-063LF	7	20.0	
				67095-062 / 67095-062LF	6	17.5	
				67095-061 / 67095-061LF	5	15.0	
				67095-060 / 67095-060LF	2	7.5	
				67095-059 / 67095-059LF	14	37.5	
				67095-058 / 67095-058LF	3	10.0	
				67095-057 / 67095-057LF	4	12.5	
				67095-020 / 67095-020LF	20	52.5	
				67095-019 / 67095-019LF	19	50.0	
				67095-018 / 67095-018LF	18	47.5	
				67095-017 / 67095-017LF	17	45.0	
				67095-016 / 67095-016LF	16	42.5	
				67095-015 / 67095-015LF	15	40.0	
				67095-014 / 67095-014LF	14	37.5	
				67095-013 / 67095-013LF	13	35.0	
				67095-012 / 67095-012LF	12	32.5	
				67095-011 / 67095-011LF	11	30.0	
				67095-010 / 67095-010LF	10	27.5	
				67095-009 / 67095-009LF	9	25.0	
				67095-008 / 67095-008LF	8	22.5	
				67095-007 / 67095-007LF	7	20.0	
				67095-006 / 67095-006LF	6	17.5	
				67095-005 / 67095-005LF	5	15.0	
				67095-004 / 67095-004LF	4	12.5	
				67095-003 / 67095-003LF	3	10.0	
				67095-002 / 67095-002LF	2	7.5	

1.LF Products meet European Union Directives and other country Regulations as described in GS-22-008.
 2.The Housing will withstand exposure to 260° peak temperature for 3.5 sec in a wave solder application with a 1.6mm Min thick circuitboard.
 3.Lead Free or ROHS Directive labelling to be provided as per GS-14-920 for Lead Free version.

mat'l. code SEE NOTE 4				surface ISO 1302 ✓ ISO 406 ISO 1101		tolerance ISO 406 ISO 1101		projection MM		product family RELIMATE	
ltr ecn no dr date				tolerances unless otherwise specified		±0.13		MM		title RELIMATE HEADER VERTICAL (R/A)	
P	I06-0123	HVN	2006-07-20	angles	linear			scale -		dwg no 67095	
R	I07-0039	HVN	2007-03-16	0°±2°						sheet 1 of 1 size A3	
				dr	MINI K VANDANATH	2003-04-14				type Product Customer Drawing	
				enr	HIRAN V N	2003-04-14					
				chr	HIRAN V N	2007-03-16					
				appd	HIRAN V N	2007-03-16					
sheet index	revision sheet	R	1								



FCIconnect.com

Copyright FCI