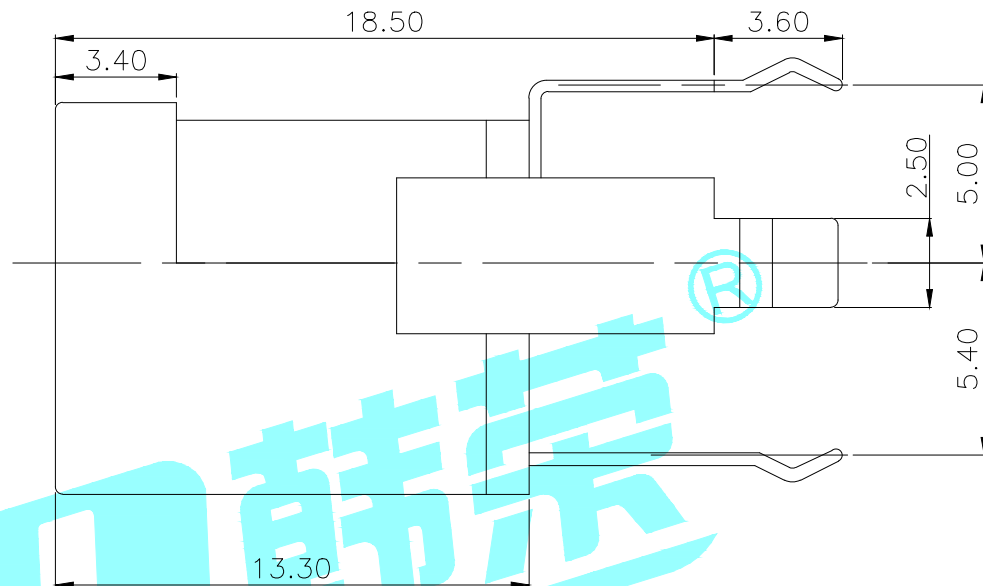
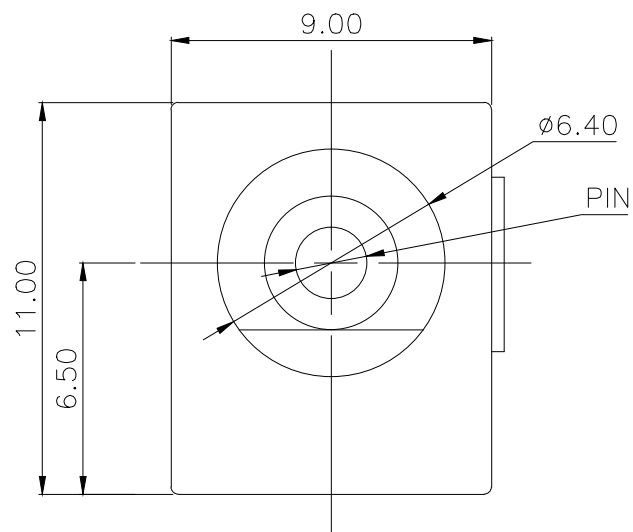
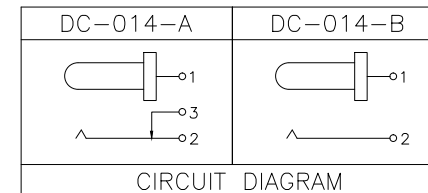
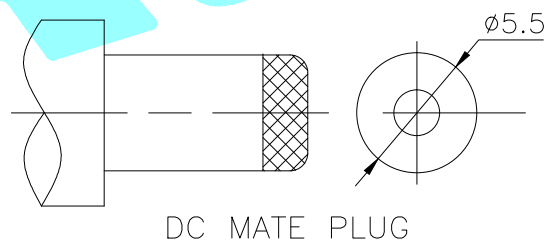
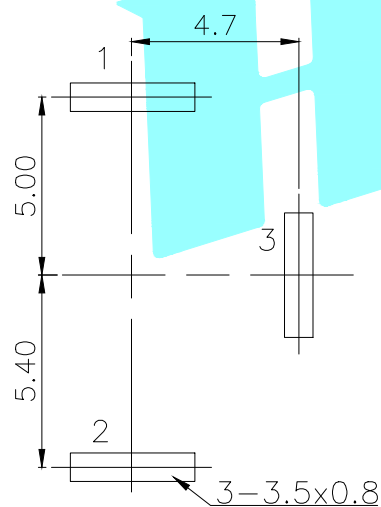


ROHS



P.C.B LAYOUT(Copper-side view)



Model No.	1	2	3
PIN	φ2.0	φ2.35	φ2.5

Rating:0.5A 30V DC
 Contact Resistance:100 mΩ Max.
 Operating temperature:-20℃~70℃
 Operating force:3~20N
 Operating Life:5,000cycles

②	Terminal	3	Phosphor bronze	Au Plating				
①	Housing	1	Nylon	Black				
ITEM	PART NAME	TER'NO.	QTY.	MATERIAL	FINISHING	REMARK		
APPROVALS		DATE		 ELECTRONICS CO.,LTD				
DRAWN	J.X.Zhang	2013/11/11					TITLE:	PHONE JACKES
CHECKED							PART NO.	DC-014
APPROVALS				TOLERANCES ARE	30~以上 ±0.30 10~30 ±0.20 5~10 ±0.15 ~ 5 ±0.10	ANGLE UNIT: mm SCALE: 1:1 PROJ:		
ECN NO.	REV.	DATE.	DESCRIPTION.	CHANGE.	CHECK.	APPRO.	DRAWING NO.	SHEET 1 OF 1

_____	A	_____	NEW	_____	_____	_____
ECN NO.	REV.	DATE.	DESCRIPTION.	CHANGE.	CHECK.	APPRO.