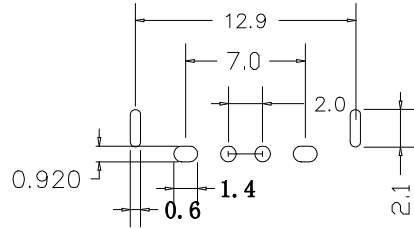
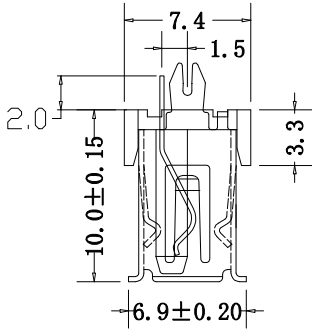
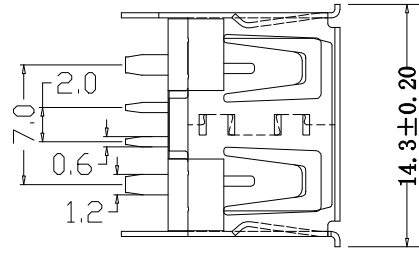
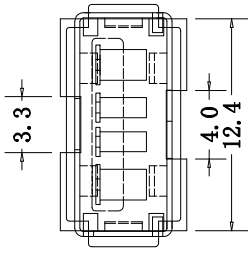


Kinghelm®



| | | | | |
|------------|----------------------|------------|-------------|---------------|
| 项目 Item | 变更内容 Modification | 日期 Date | 修改人 Draw | 核准 Approve |
|------------|----------------------|------------|-------------|---------------|

规格说明: Specifications:

电气特性: Electrical:

1. 额定电流: Current Rating
5A/contact terminal
2. 额定电压: Voltage Rating
30V DC
3. 接触阻抗: Contact Resistance
30 milliohms MAX
4. 耐电压: Dielectric Withstanding Voltage:
500 V AC AT Sea Level
5. 绝缘阻抗: Insulation Resistance:
1000MEGA ohms MIN

物理性能: Mechanical:

1. 插拔力: Connector Mate and Unmate Force
Mate force: 3.57kgf (MAX)
Unmate force: 1.02kgf (MIN)

原材料: Material:

1. 塑胶: Housing: BPT,LCP
2. 端子: Contact: Copper Alloy C2680
3. 外壳: Shell: Copper Alloy C2680/SPCC

电镀: Finish:

1. 端子: Contact: Plated Gold in Mating Area;
Tin On Solder Tails
2. 外壳: Shell:
铜壳四周镀80U" (MIN) 镍, 镀金区域镀100-200U" 镀金3U"

Nickel Plating

| | | | | | |
|-------------------------------------|----------|--------------------|------------|----------------|--------------|
| 成品图 MANUFACTURE DIM | | 深圳市金航标电子有限公司 | | WWW.BDS666.COM | |
| 公差一览表 TOLERANCE UNLESS OTHERWISE | | KH-AF180ZJ-10JB-DA | | 0755-83044319 | |
| .X ± 0.20 | X. ± 5° | 日期 DATE | 2016.10.20 | 单位 UNIT | mm |
| .XX ± 0.10 | .X ± 2° | 审核 CHECKED | | 制图 DRAWING | LIUFU |
| .XXX ± 0.02 | .XX ± 1° | 核准 APPROVE | | 比例 SCALE | 1:1 |
| | | | | 设计 DESIGN | |
| | | | | 角法 VIEW | ⊕ ⊖ |
| | | | | 品名 NAME | 10.0 卷边大电流直插 |
| | | | | 版本 VER | A0 |
| | | | | 页码 SHEET | 001 |