

## Electronic housing - UM-BEFE 35 - 2955564

Please be informed that the data shown in this PDF Document is generated from our Online Catalog. Please find the complete data in the user's documentation. Our General Terms of Use for Downloads are valid (<http://download.phoenixcontact.com>)

Base element with snap-on foot, for mounting on NS 32 or NS 35/7.5 DIN rail, with ribs, L = 35 mm



The illustration shows a combination of versions UM-SE, UM 16,5 BE, UM-BE 35, UM-BEFE 35, UM-SE-A 73 and UM-A/U 73 CM



### Key commercial data

Packing unit	10 pc
GTIN	 4 017918 085537
Weight per Piece (excluding packing)	23.3 g
Custom tariff number	85369010
Country of origin	Poland

### Technical data

#### General

Housing material	Polyamide
Color	green

#### Ambient conditions

Ambient temperature (operation)	-40 °C ... 105 °C
---------------------------------	-------------------

#### Dimensions

Width	35 mm
-------	-------

#### Technical data

Inflammability class according to UL 94	V0
---	----

# Electronic housing - UM-BEFE 35 - 2955564

## Classifications

### eCl@ss

eCl@ss 4.0	27180401
eCl@ss 4.1	27180401
eCl@ss 5.0	27180506
eCl@ss 5.1	27180506
eCl@ss 6.0	27180802
eCl@ss 7.0	27182701
eCl@ss 8.0	27182701

### ETIM

ETIM 2.0	EC001031
ETIM 3.0	EC001031
ETIM 4.0	EC001031
ETIM 5.0	EC000721

### UNSPSC

UNSPSC 6.01	31261501
UNSPSC 7.0901	31261501
UNSPSC 11	31261501
UNSPSC 12.01	31261501
UNSPSC 13.2	31261501

## Approvals

### Approvals

---

Approvals

UL Recognized

---

Ex Approvals

---

Approvals submitted

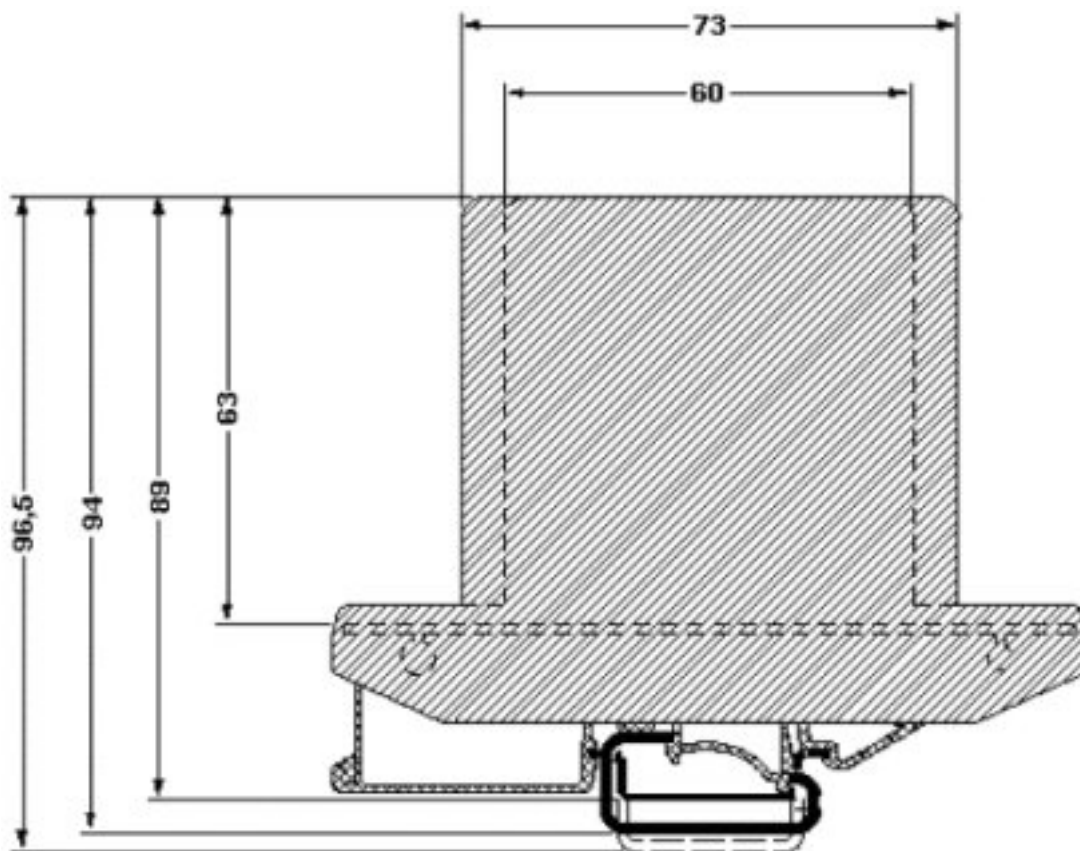
### Approval details

UL Recognized 
---

## Drawings

# Electronic housing - UM-BEFE 35 - 2955564

Dimensioned drawing



# Electronic housing - UM-BEFE 35 - 2955564

Dimensioned drawing

