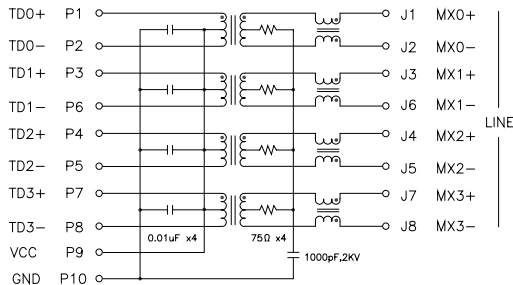


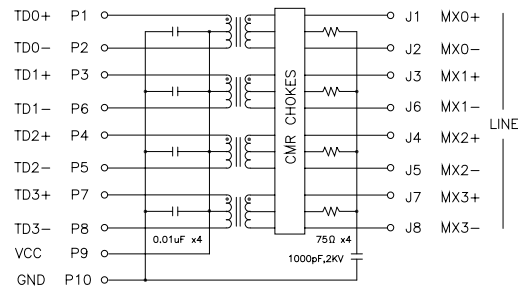


HALO Electronics is pleased to offer this new series of small footprint Gigabit single and Ganged FastJack™, integrated connectors. This series is ideal for hi-density switch applications requiring the highest performance in a minimal amount of real estate. HALO's Gigabit FastJacks™ are compatible with all leading silicon vendors' Phy's. Please contact your local HALO Representative for more information.

Standard Choke Circuit



Enhanced Choke Circuit



Electrical Specifications @ 25°C

Operating Temp:	0 to +70°C	Return Loss (min):	
Isolation Voltage:	1,500 Vrms	1-40Mhz	-18dB
OCL (100KHz, 0.1Vrms, 8mA):	350uH min	60Mhz	-14.5dB
CMR (0.1-100MHz):	-40dB typ	80Mhz	-12dB
Insertion Loss (0.1-100MHz):	-1.1dB Max	100Mhz	-10dB
Crosstalk (0.1-100MHz):	-[33-20log(F/100Mhz)]dB typ		

Patented Construction

US Pat Nbrs: 5,656,985; 6,297,721 B1; 6,297,720 B1; 6,320,489 B1; 6,344,785 B1



RoHS compliant versions are available.
Specify RoHS compliant product by adding the suffix "RL".

CMR Choke	Port Count		
	Single	Double	Quad
Standard Choke	HFJ11-1G01E	HFJ12-1G01E	HFJ14-1G01E
Enhanced Choke ¹	HFJ11-1G02E	HFJ12-1G02E	HFJ14-1G02E

Notes:

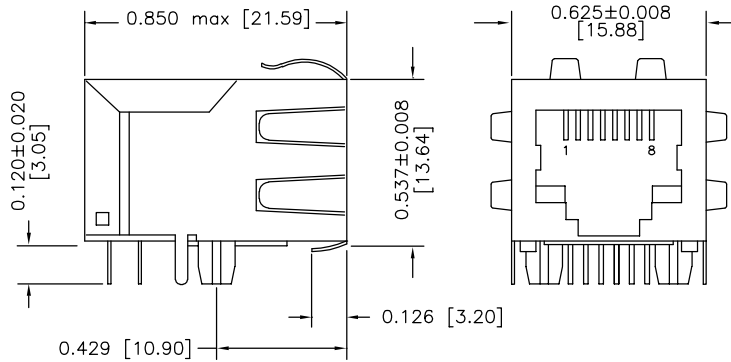
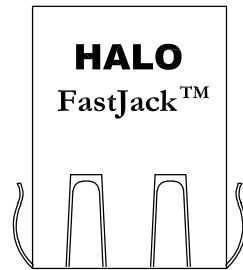
1. The Enhanced CMR Choke circuit provides a low impedance path to ground for improved noise immunity performance when needed. Impedance test data available upon request.

Please see individual data sheets for complete electrical specifications.

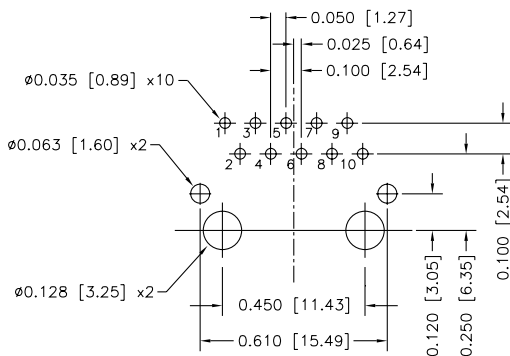
HALO Electronics is pleased to offer this new series of small footprint Gigabit single and Ganged FastJack™, integrated connectors. This series is ideal for hi-density switch applications requiring the highest performance in a minimal amount of real estate. HALO's Gigabit FastJacks™ are compatible with all leading silicon vendors' Phy's. Please contact your local HALO Representative for more information.



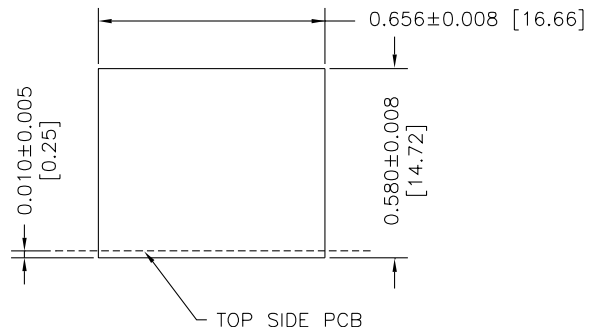
Single



Dimensions: Inch [mm]



Recommended PDB Pattern

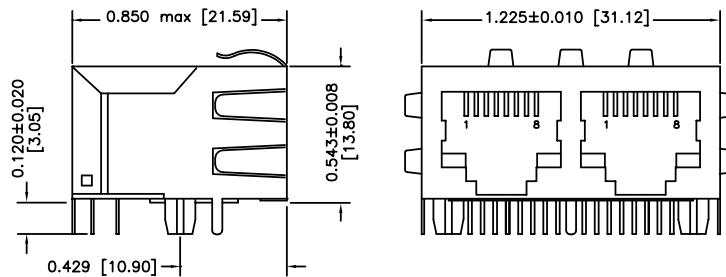
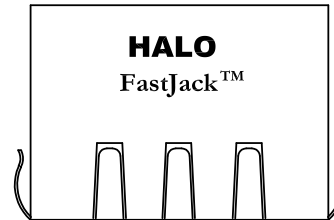


Recommended Panel Cut-out

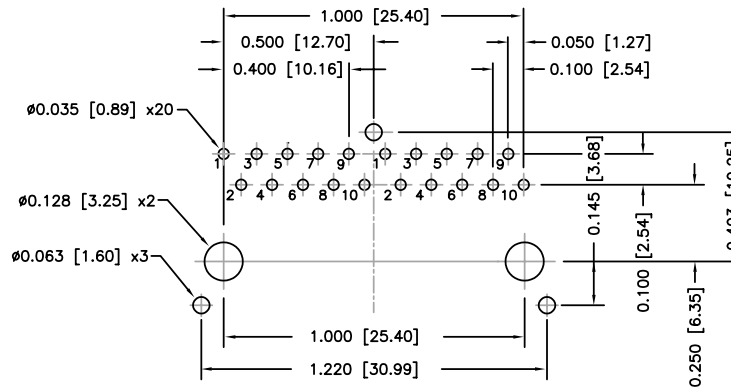


HALO Electronics is pleased to offer this new series of small footprint Gigabit single and Ganged FastJack™, integrated connectors. This series is ideal for hi-density switch applications requiring the highest performance in a minimal amount of real estate. HALO's Gigabit FastJacks™ are compatible with all leading silicon vendors' Phy's. Please contact your local HALO Representative for more information.

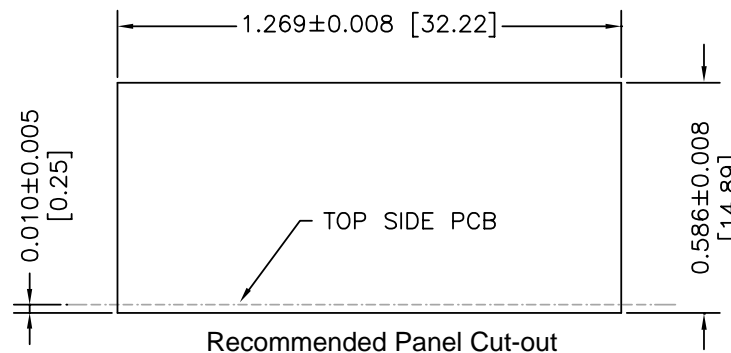
Double



Dimensions: Inch [mm]



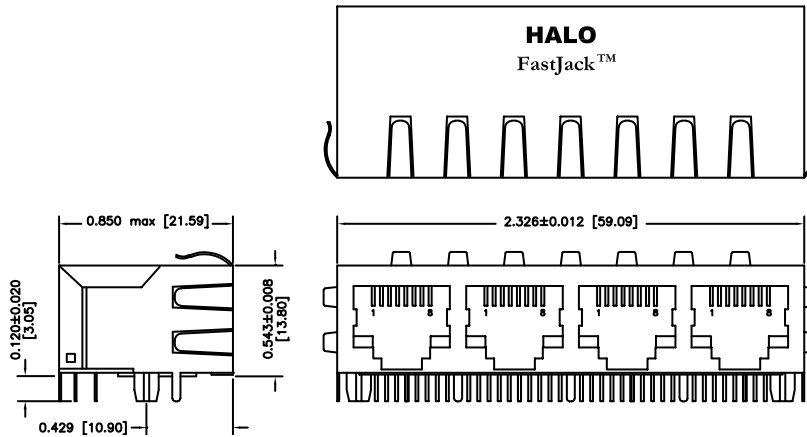
Recommended PDB Pattern



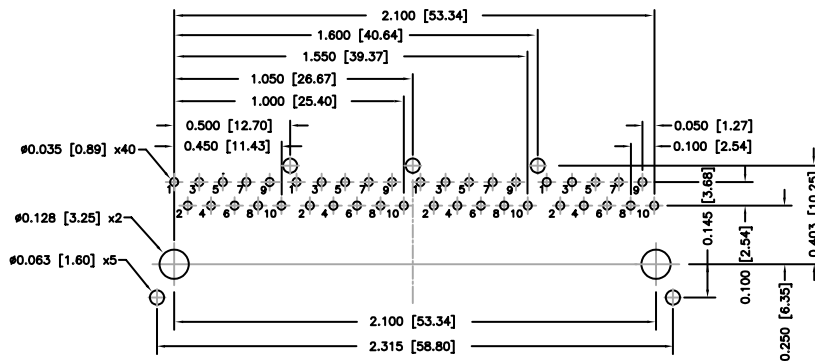


HALO Electronics is pleased to offer this new series of small footprint Gigabit single and Ganged FastJack™, integrated connectors. This series is ideal for hi-density switch applications requiring the highest performance in a minimal amount of real estate. HALO's Gigabit FastJacks™ are compatible with all leading silicon vendors' Phy's. Please contact your local HALO Representative for more information.

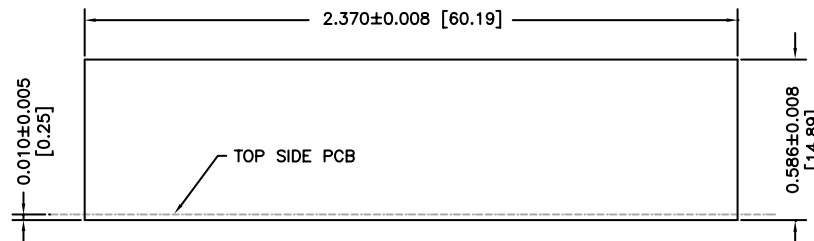
Quad



Dimensions: Inch [mm]



Recommended PDB Pattern



Recommended Panel Cut-out