



MINIATURE
RELAYS
HR501C

Product designation

Product type designation

Contact characteristics

Contact configuration			1 C/O
Rated insulation voltage U_i IEC/EN	V		250
Rated impulse withstand voltage U_{imp}	kV		6
IEC Conventional free air thermal current I_{th}	A		16
Maximum instantaneous current	A		20
Rated current (I_n)	A		16
Relay control voltage	V		230VAC

Max contrrollable power in

AC-1	W	4000
AC-15	VA	150

Rated operating power AC-1

VA	4000
----	------

Rated operating power AC-15

230 VAC	VA	150
---------	----	-----

Single-phase motor control

230VAC	kW	0.1
--------	----	-----

Rated operating current DC-1

30V	A	12
110V	A	0.3
220V	A	0.1

Minimum switching load

V / mA	5 / 100
--------	---------

Contact impedance

m Ω	100
------------	-----

Contact material

Ag/Ni

Operating times

Closing

ms	<15
----	-----

Opening

ms	<15
----	-----

Operations

Mechanical life

cycles	10000000
--------	----------

Electrical life AC1

cycles	50000
--------	-------

Coil characteristics

Average coil consumption AC at 20°C

VA	1
----	---

Average coil consumption DC at 20°C

W	0.4
---	-----

Operating range

Closing	% U_n	70...110
Opening	% U_n	20...55

Maximum cycle frequency

cycles/h	3600
----------	------

Mechanical features

Max socket terminal tightening torque

Nm	0.6
----	-----

Socket screw tightening tool (cross / flat blade)

PH1 / 4.5mm

Conductor section

AWG/Kcmil

	min	20	
	max	14	
IEC			
	min	mm ²	0.5
	max	mm ²	2.5
Operating position			
	normal	Any	
Fixing			
		On 35mm DIN rail and with screw	

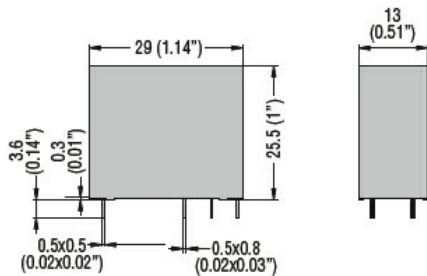
Ambient conditions

Temperature			
Operating temperature			
	min	°C	-40
	max	°C	+70
Storage temperature			
	min	°C	-40
	max	°C	+85

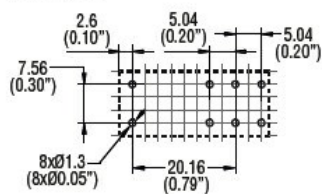
Other features

Indication	Yes
Mechanical contact position indicator	Yes
Mechanical test actuator	Yes

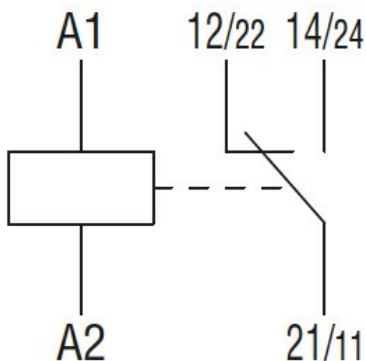
Dimensions



PCB layout



Wiring diagrams



Certifications and compliance

Compliance

IEC/EN 61810

Certificates

CSA

cURus

EAC

VDE

ETIM classification

ETIM 8.0

EC001437 -
Switching relay