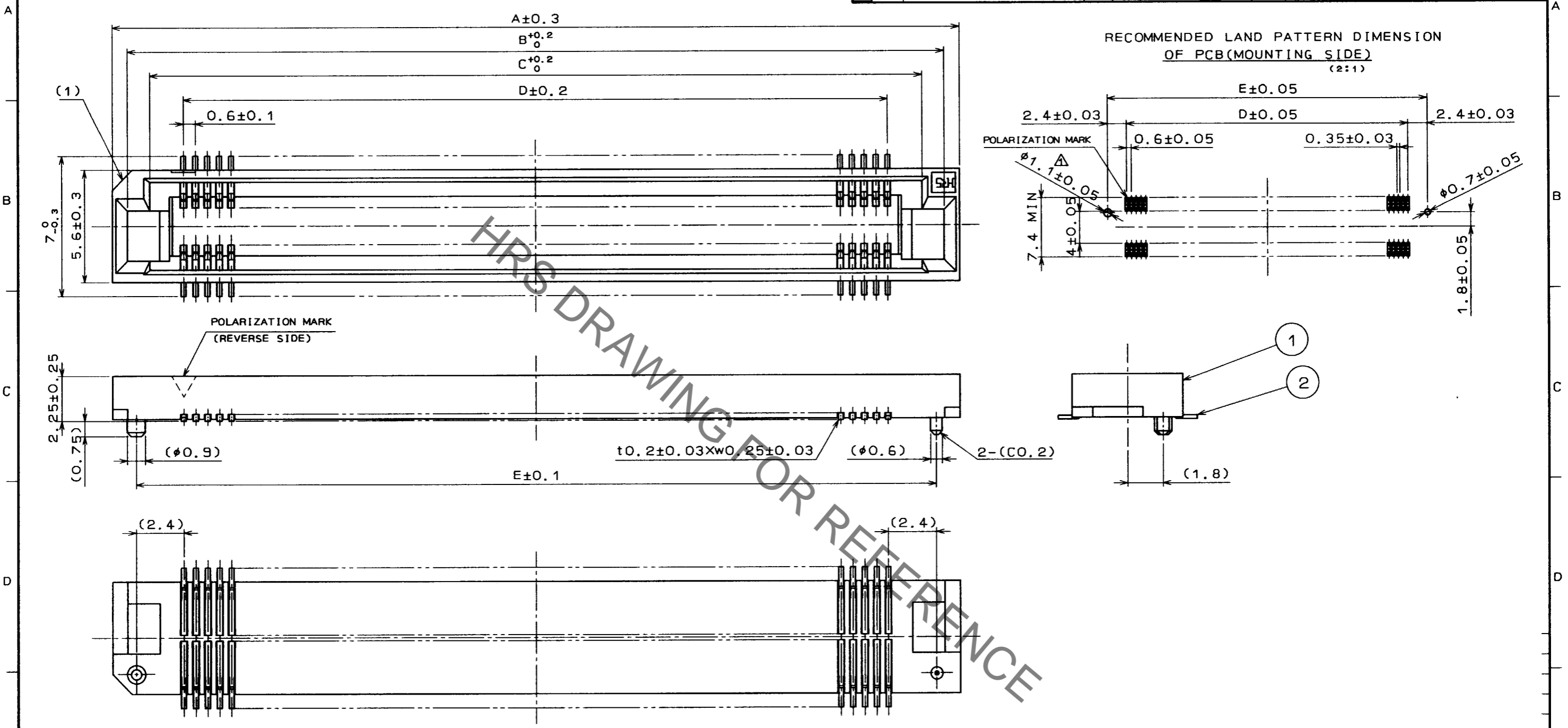


Aug.1.2021 Copyright 2021 HIROSE ELECTRIC CO., LTD. All Rights Reserved.
In case of consideration for using Automotive equipment / device which demand high reliability, kindly contact our sales window correspondents.

COUNT	DESCRIPTION OF REVISIONS	BY	CHKD	DATE	COUNT	DESCRIPTION OF REVISIONS	BY	CHKD	DATE
1	RE-F-4613	S.M	M.T	'96.4.2					



HRS DRAWING FOR REFERENCE

NUMBER OF CONTACT	PART NO.	CODE NO.	DRAWING NO.	A	B	C	D	E
60	FX8- 60S-SV(21)	CL578-0201-5-21	ADC3-150674-01	24.6	23.05	20.8	17.4	22.2
80	FX8- 80S-SV(21)	CL578-0203-0-21	ADC3-150740-01	30.6	29.05	26.8	23.4	28.2
90	FX8- 90S-SV(21)	CL578-0204-3-21	ADC3-150675-01	33.6	32.05	29.8	26.4	31.2
100	FX8-100S-SV(21)	CL578-0205-6-21	ADC3-150676-01	36.6	35.05	32.8	29.4	34.2
120	FX8-120S-SV(21)	CL578-0206-9-21	ADC3-150677-01	42.6	41.05	38.8	35.4	40.2
140	FX8-140S-SV(21)	CL578-0207-1-21	ADC3-150678-01	48.6	47.05	44.8	41.4	46.2

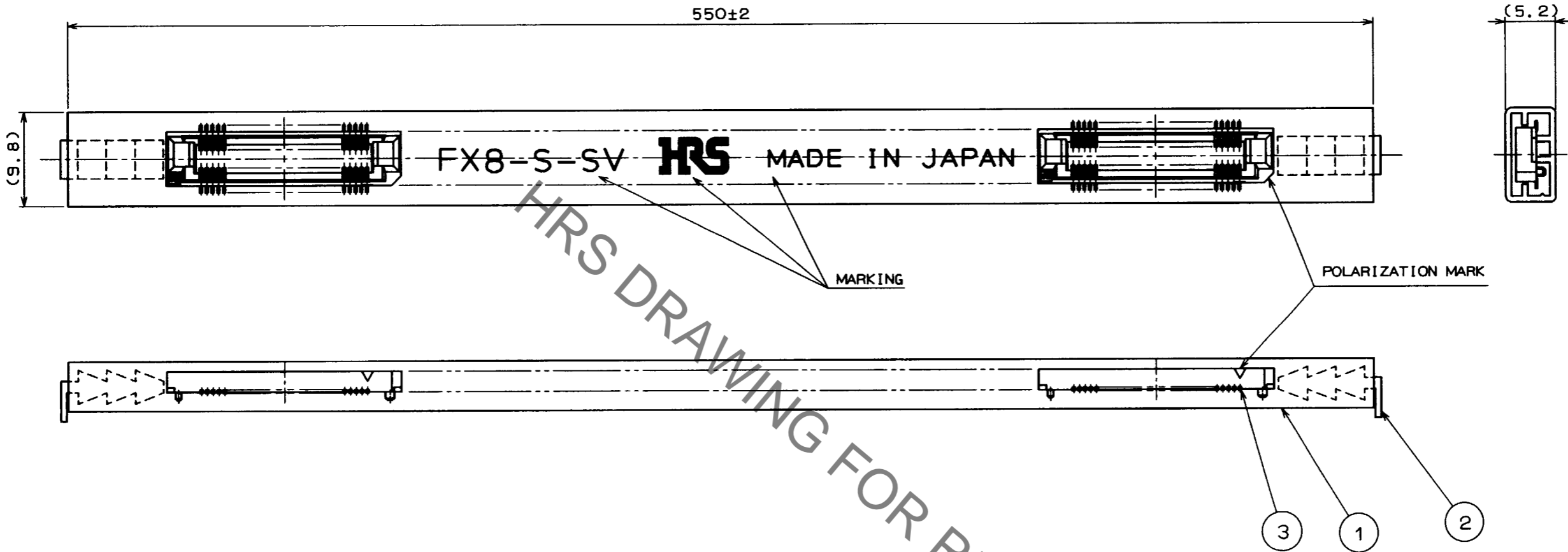
NOTE 1 READ CO-PLANARITY SHALL BE 0.1mm.
2 FOR DETAILS, SEE THE SECTION CONCERNING THE DELIVERY FORM ON NEXT PAGE.
3 FOR MODIFICATION, ETC., PREVENTIVE HOLE FOR SINK MARK MAY BE ADDED DEPENDS ON CIRCUMSTANCES.

2	PHOSPHOR BRONZE	CONTACT AREA: GOLD(0.1μm) OVER NICKEL OTHERS: GOLD(FLASH) OVER NICKEL	1	PPS	LIGHT BROWN (UL94V-0)		
NO.	MATERIAL	FINISH, REMARKS	NO.	MATERIAL	FINISH, REMARKS		
CODE NO. (OLD)			DRAWN	DESIGNED	CHECKED	APPROVED	RELEASED
			S.Morita	J.Matsukawa	M.Tomita	Y.Yoshimura	
			950420	950420	950420	950420	
DRAWING NO. EDC3-150730-01			PART NO. FX8-***S-SV(21)				
SCALE 5 : 1			CODE NO. CL578				
UNITS mm			HRS HIROSE ELECTRIC CO., LTD.				

TO
PCM

Aug.1.2021 Copyright 2021 HIROSE ELECTRIC CO., LTD. All Rights Reserved.
In case of consideration for using Automotive equipment / device which demand high reliability, kindly contact our sales window correspondents.

COUNT	DESCRIPTION OF REVISIONS	BY	CHKD	DATE	COUNT	DESCRIPTION OF REVISIONS	BY	CHKD	DATE
△				..	△				..
△				..	△				..
△				..	△				..



HRS DRAWING FOR REFERENCE

DELIVERY FORM(TUBE PACKAGING)

NUMBER OF CONTACTS(CONTACTS)	60	80	90	100	120	140
PRODUCT CONTENT(PCS)	21	17	15	14	12	10

2	POLYVINYLCHLORIDE	STOPPER			
1	POLYVINYLCHLORIDE	TUBE	3	(CONNECTOR)	
NO.	MATERIAL	FINISH , REMARKS	NO.	MATERIAL	FINISH , REMARKS
CODE NO. (OLD)			DRAWN	DESIGNED	CHECKED
			<i>S. Mouta</i>	<i>M. Matsukawa</i>	<i>M. Tomita</i>
			95.10.31	95.10.31	95.11.1
			APPROVED	RELEASED	
			<i>Z. Yoshimura</i>		
			95.11.1		
DRAWING NO. EDC3-150730-01			PART NO. FX8-***S-SV(21)		
UNITS mm			CODE NO. CL578		

TO
PCM

Mouser Electronics

Authorized Distributor

Click to View Pricing, Inventory, Delivery & Lifecycle Information:

[Hirose Electric:](#)

[FX8-80S-SV\(21\)](#)