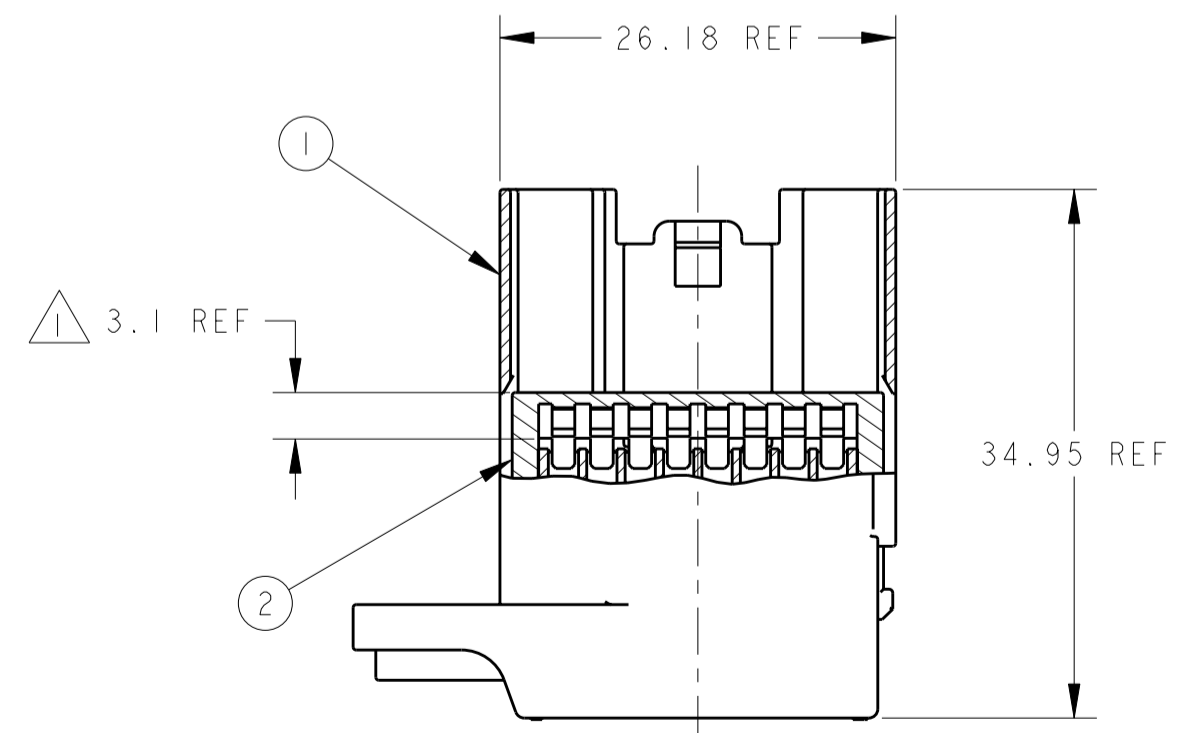
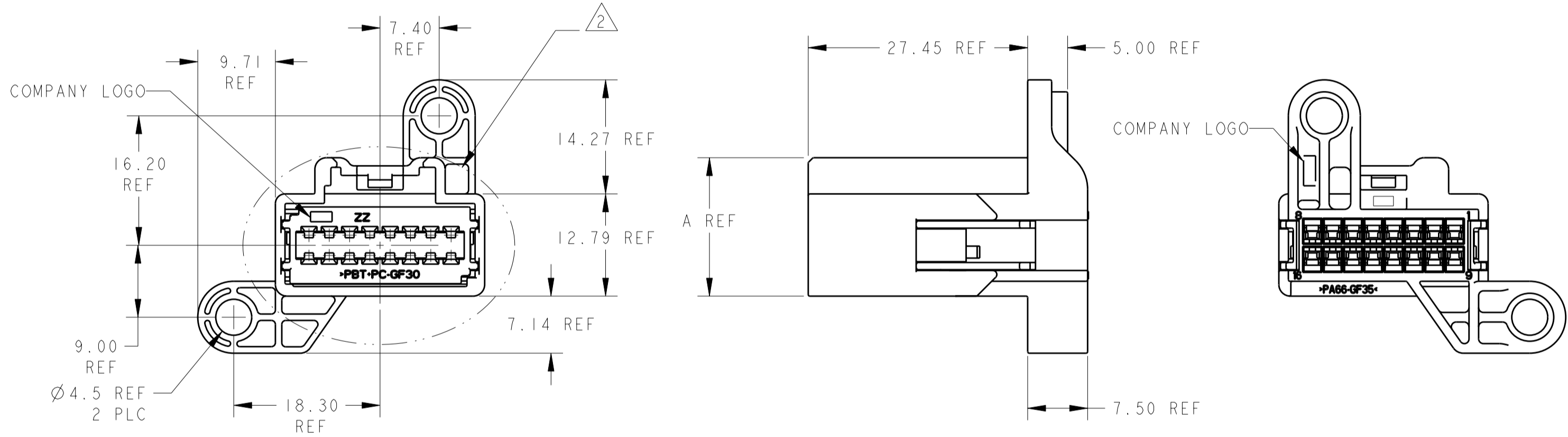
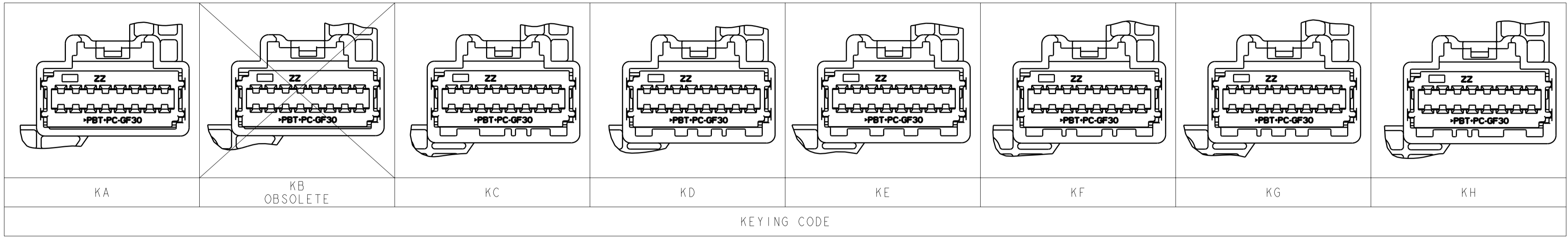


THIS DRAWING IS UNPUBLISHED. RELEASED FOR PUBLICATION 20  
 © COPYRIGHT 20 BY TYCO ELECTRONICS CORPORATION. ALL RIGHTS RESERVED.

LOC	DIST	REVISIONS				
P	LTR	DESCRIPTION	DATE	DWN	APVD	
FX	00					
A		REVISED PER EC 0K3G-0035-02	13FEB2002	MFF	AJS	
A1		REVISED PER EC 0K3G-0228-02	20NOV2002	MBH	AJS	
A2		REVISED PER ECR 06-020521	15SEP2006	DLD	DCS	
A3		REV PER ECR-10-012906	24JUN2010	VSS	DZ	



① TPA SHOWN IN PRE-LATCHED POSITION  
 ② SEE KEYING CODE TABLE FOR VARIOUS KEYING CONFIGURATIONS

1438170-8	1438170-7	1438170-6	1438170-5	1438170-4	1438170-3	1438170-2	1438170-1	OBSOLETE			
OBSOLETE								<--- ASSEMBLY PART NUMBERS			
QUANTITY	ITEM	DESCRIPTION	DIM A	MATERIAL	COLOR						
2	TPA	N/A	sPS-GF30	RED							
1	HEADER "KH"	18.52	sPS+PA66-GF30	BLACK							
1	HEADER "KG"	18.52	sPS+PA66-GF30	BLACK							
1	HEADER "KF"	18.52	sPS+PA66-GF30	BLACK							
1	HEADER "KE"	18.52	sPS+PA66-GF30	BLACK							
1	HEADER "KD"	18.52	sPS+PA66-GF30	BLACK							
1	HEADER "KC"	18.52	sPS+PA66-GF30	BLACK							
1	HEADER "KB"	17.32	sPS+PA66-GF30	BLACK							
1	HEADER "KA"	17.32	sPS+PA66-GF30	BLACK							

<small>THIS DRAWING IS A CONTROLLED DOCUMENT FOR TYCO ELECTRONICS CORPORATION IT IS SUBJECT TO CHANGE AND THE CONTROLLING ENGINEERING ORGANIZATION SHOULD BE CONTACTED FOR THE LATEST REVISION.</small>		DWN J.R. SHUEY 26OCT2001 CHK A.J. SHUMAN 29OCT2001 APVD A.J. SHUMAN 29OCT2001	<b>Tyco Electronics</b> Tyco Electronics Harrisburg, PA 17105-3608
DIMENSIONS: mm 	TOLERANCES UNLESS OTHERWISE SPECIFIED: 0 PLC ± 1 PLC ±0.4 2 PLC ±0.20 3 PLC ± 4 PLC ± ANGLES ±° FINISH	PRODUCT SPEC APPLICATION SPEC WEIGHT CUSTOMER DRAWING	NAME PLUG ASSEMBLY, 2 X 8 INLINE, MALE WITH MOUNTING EARS SIZE CAGE CODE DRAWING NO RESTRICTED TO A2 00779 C-1438170
SEE CALLOUT			SCALE 2:1 SHEET 1 OF 1 REV A3

# Mouser Electronics

Authorized Distributor

Click to View Pricing, Inventory, Delivery & Lifecycle Information:

[TE Connectivity:](#)

[1438170-1](#)