

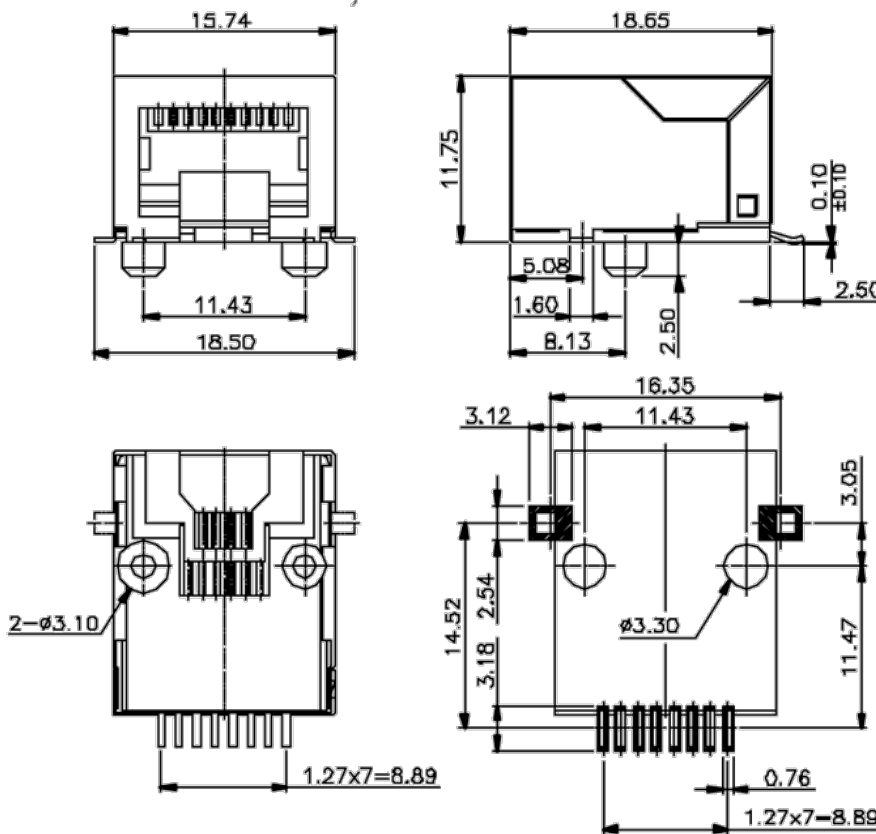


Very Low Profile PCB Jack(Side Entry,Shielded W/Tab SMT)

Materials

Housing: Nyloy 66 UL94V-0 Black
 Contacts: 0.35mm thickness alloy, gold plating over nickel in contact area
 Tin Plating over nickel in solder area

For RoHS compliant parts contact the factory for new part numbers



Order Information

33TS3004 ST - 88 B SMT 1
 1 2 3 4 5 6

- | | | |
|--|---|--|
| 1. Series No. 33TS3004 | 2.Contact Type ST : Grounding tab of shield | 3. No. Of Contacts 88:8P8C 1010:10P10C |
| 4. Gold Plating B: 6µ" For other plating options contact factory | 5. Terminal Version SMT type | 6. Packaging 1: Packed in tray 2: Tape & reel request |

| Order Information | Order Number |
|----------------------|------------------|
| 33TS3004ST-88BSMT1 | 33TS3004ST-88001 |
| 33TS3004ST-88BSMT2 | 33TS3004ST-88002 |
| 33TS3004ST-1010BSMT1 | 33TS3004ST-10101 |
| 33TS3004ST-1010BSMT2 | 33TS3004ST-10102 |

Mouser Electronics

Authorized Distributor

Click to View Pricing, Inventory, Delivery & Lifecycle Information:

[CONEC:](#)

[33TS3004ST-88002](#) [33TS3004ST-88001](#)