

EO-CF/PT - Socket



0804038

<https://www.phoenixcontact.com/us/products/0804038>

Please be informed that the data shown in this PDF document is generated from our online catalog. Please find the complete data in the user documentation. Our general terms of use for downloads are valid.



Socket, Pin connector pattern type CF, Push-in spring connection, gray, for mounting on a DIN rail in the service interface or direct mounting, 250 V AC, 16 A, -20 °C, 60 °C, VDE 0620-1

Commercial data

Item number	0804038
Packing unit	5 pc
Minimum order quantity	5 pc
Sales key	BE76
Product key	BE7621
Catalog page	Page 562 (C-3-2019)
GTIN	4055626225784
Weight per piece (including packing)	72.8 g
Weight per piece (excluding packing)	61.922 g
Customs tariff number	85366990
Country of origin	PL

Technical data

Product properties

Product type	Socket
Country ID	Germany

Electrical properties

Nominal voltage U_N	250 V AC (50 Hz)
Nominal current I_N	16 A

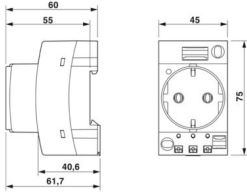
Connection data

Connection method	Push-in spring connection
Conductor cross section flexible	0.2 mm ² ... 2.5 mm ²
Conductor cross section rigid	0.2 mm ² ... 4 mm ²
Cross section AWG	24 ... 12

Signaling

Status display	No
----------------	----

Dimensions

Dimensional drawing	
Width	45 mm
Height	75 mm
Depth	75 mm

Material specifications

Color	gray
Flammability rating according to UL 94	V0
Insulating material	PA
Contact material	CuZn37
Static insulating material application in cold	-60 °C
Relative insulation material temperature index (Elec., UL 746 B)	130 °C
Fire protection for rail vehicles (DIN EN 45545-2) R22	HL 1 - HL 3
Fire protection for rail vehicles (DIN EN 45545-2) R23	HL 1 - HL 3
Fire protection for rail vehicles (DIN EN 45545-2) R24	HL 1 - HL 3
Fire protection for rail vehicles (DIN EN 45545-2) R26	HL 1 - HL 3
Surface flammability NFPA 130 (ASTM E 162)	passed
Specific optical density of smoke NFPA 130 (ASTM E 662)	passed

EO-CF/PT - Socket



0804038

<https://www.phoenixcontact.com/us/products/0804038>

Smoke gas toxicity NFPA 130 (SMP 800C)	passed
--	--------

Connector

Type of plug	Pin connector pattern type CF
--------------	-------------------------------

Environmental and real-life conditions

Ambient conditions

Degree of protection	IP20
Ambient temperature (operation)	-20 °C ... 60 °C (max. short-term operating temperature RTI Elec.)
Ambient temperature (storage/transport)	-25 °C ... 60 °C (for a short time, not exceeding 24 h, -60 °C to +70 °C)
Permissible humidity (storage/transport)	30 % ... 70 %

Standards and regulations

Standards

Standards/regulations	VDE 0620-1
-----------------------	------------

Mounting

Mounting type	for mounting on a DIN rail in the service interface or direct mounting
---------------	--

EO-CF/PT - Socket

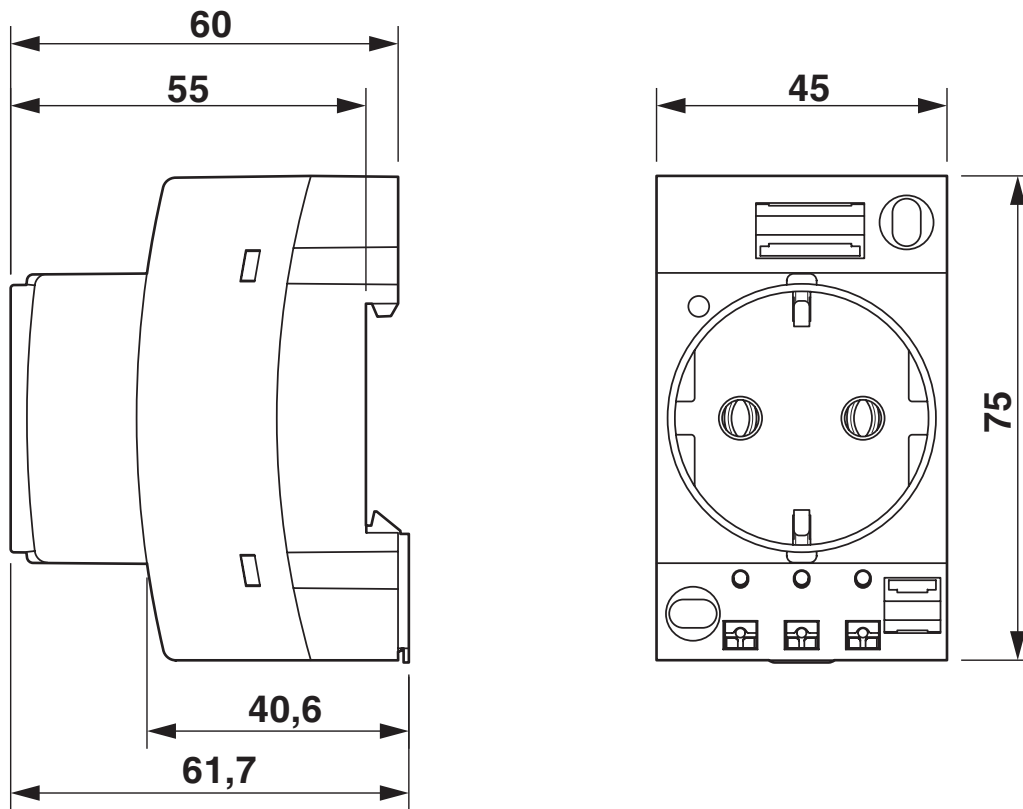
0804038

<https://www.phoenixcontact.com/us/products/0804038>

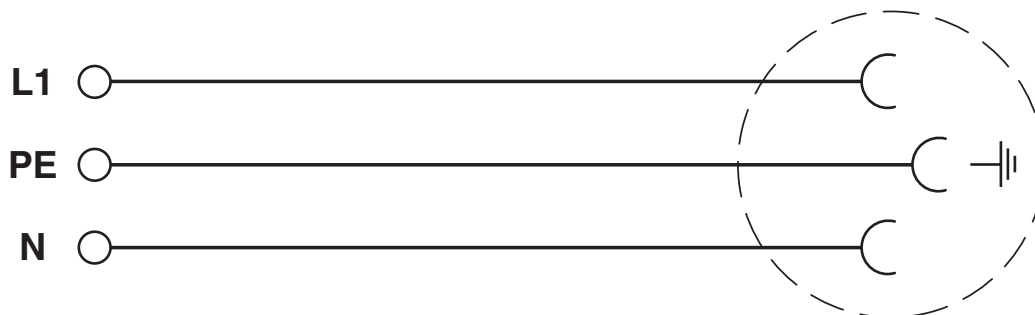


Drawings

Dimensional drawing



Circuit diagram



EO-CF/PT - Socket



0804038

<https://www.phoenixcontact.com/us/products/0804038>

Approvals

To download certificates, visit the product detail page: <https://www.phoenixcontact.com/us/products/0804038>



EAC

Approval ID: RU C-DE.BL08.B.00511



VDE Gutachten mit Fertigungsüberwachung

Approval ID: 40047713

	Nominal voltage U_N	Nominal current I_N	Cross section AWG	Cross section mm^2
	250 V	16 A	-	-



EAC-RoHS

Approval ID: RU D-DE.HB49.B.00025

EO-CF/PT - Socket



0804038

<https://www.phoenixcontact.com/us/products/0804038>

Classifications

ECLASS

ECLASS-11.0	27142305
ECLASS-12.0	27142305
ECLASS-13.0	27142305

ETIM

ETIM 9.0	EC001663
----------	----------

UNSPSC

UNSPSC 21.0	39121400
-------------	----------

EO-CF/PT - Socket

0804038

<https://www.phoenixcontact.com/us/products/0804038>



Environmental product compliance

China RoHS	Environmentally friendly use period: unlimited = EFUP-e No hazardous substances above threshold values
------------	---

EO-CF/PT - Socket

0804038

<https://www.phoenixcontact.com/us/products/0804038>



Accessories

UC-TMF 8 - Marker for terminal blocks

0818137

<https://www.phoenixcontact.com/us/products/0818137>



Marker for terminal blocks, Sheet, white, unlabeled, can be labeled with: BLUEMARK ID COLOR, BLUEMARK ID, BLUEMARK CLED, PLOTMARK, CMS-P1-PLOTTER, mounting type: snapped, for terminal block width: 8.2 mm, lettering field size: 7.6 x 5.1 mm, Number of individual labels: 56

UC-TMF 16 - Marker for terminal blocks

0819262

<https://www.phoenixcontact.com/us/products/0819262>



Marker for terminal blocks, Sheet, white, unlabeled, can be labeled with: BLUEMARK ID COLOR, BLUEMARK ID, BLUEMARK CLED, PLOTMARK, CMS-P1-PLOTTER, mounting type: snapped, for terminal block width: 16 mm, lettering field size: 15.45 x 5.1 mm, Number of individual labels: 32

EO-CF/PT - Socket

0804038

<https://www.phoenixcontact.com/us/products/0804038>



ZBF 8:UNBEDRUCKT - Zack Marker strip, flat

0808781

<https://www.phoenixcontact.com/us/products/0808781>



Zack Marker strip, flat, Strip, white, unlabeled, can be labeled with: PLOTMARK, CMS-P1-PLOTTER, mounting type: snapped, for terminal block width: 8 mm, lettering field size: 5.15 x 8.15 mm, Number of individual labels: 10

ZBF 16:UNPRINTED - Zack Marker strip, flat

0827464

<https://www.phoenixcontact.com/us/products/0827464>



Zack Marker strip, flat, Strip, white, unlabeled, can be labeled with: PLOTMARK, CMS-P1-PLOTTER, mounting type: snapped, for terminal block width: 16 mm, lettering field size: 16.25 x 10.5 mm, Number of individual labels: 50

EO-CF/PT - Socket

0804038

<https://www.phoenixcontact.com/us/products/0804038>



EO-SI-FRAME - Adapter plate

0804522

<https://www.phoenixcontact.com/us/products/0804522>

Adapter plate for installing the control cabinet sockets (type EO-...) in the mounting frames (type VS-SI-EB-EMV.../ SI-M1A.../ SI-M1B...). Includes fastening hardware for the control cabinet socket



Phoenix Contact 2024 © - all rights reserved

<https://www.phoenixcontact.com>

Phoenix Contact USA
586 Fulling Mill Road
Middletown, PA 17057, United States
(+717) 944-1300
info@phoenixcon.com