

## 规格承认书

Specification for approval

客户名称:

深圳市立创电子商务有限公司

( Customer Name )

产品名称:

贴片铝电解电容器

( Product Name )

SMD Aluninum Electrolytic Capacitor

客户料号:

( Customer part number )

科尼盛料号:

RVT470UF50V34RV0133

( KNSCHA number )

型号规格:

SMD E/C 470UF/50V 12.5\*13.5mm RVT

( Specifications )

SMD E/C 470UF/50V 12.5\*13.5mm RVT

制造  
(Manufacture)

Approval

拟制  
(Fiction)

审核  
(Chief)

核准  
(Approval)



刘淑芬

刘军军

徐贵南

客户  
(Customer)

Approval

检验  
(Inspect)

审核  
(Chief)

核准  
(Approval)

**东莞市科尼盛电子有限公司**

DONG GUAN KNSCHA ELECTRONICS CO.,LTD.

No. 8th floor, A3 building, R&D center (Phase I),

Songshan Lake Intelligent Valley, Liaobu Town, Dongguan City.

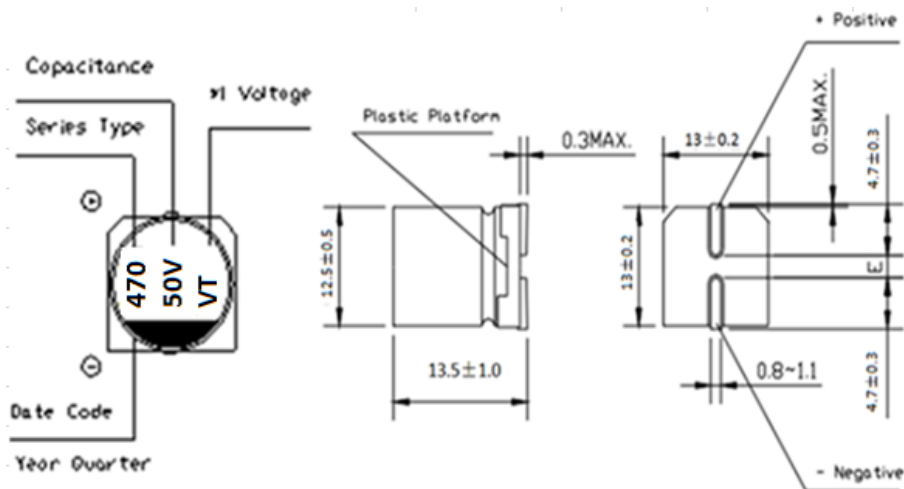
TEL:0769-83698067 81035570 FAX: 0769-83861559

Email : sales@knscha.com Website: http://www.knscha.com



# 规格书

Items	Performance		
Series	VT		
Operating Temperature Range	-55~+105℃		
Case size(φD×L mm)	12.5×13.5(±1.0)		
Voltage Range	50V		
Capacitance	470μ F		
Capacitance Tolerance	±20% at 120Hz, 20℃		
Leakage Current	≤235μ A (2min)		
Tanδ(at 120Hz,20℃)	≤0.18		
Allowable ripple(at 120Hz,105℃)	520 mA rms.Maximum		
Load Life: After 2000 hours' application of rated voltage at 105℃ , capacitors meet the characteristics requirements listed at right.	<b>Capacitance Change:</b> Within ±20% of the initial value <b>Tanδ :</b> 200% or less of the initial specified value <b>Leakage Current:</b> Initial specified value or less		
Shelf Life: After leaving capacitors under no load at 105℃ for 1000 hours, they meet the specified value for load life characteristics listed above.			
Stability at Low Temperature	Measurement frequency : 120Hz		
	Impedance ratio	Z-25℃/Z+20℃	2
	ZT/Z20(max)	Z-55℃/Z+20℃	3



批准	徐贵南	
制作	刘淑芬	

东莞市科尼盛电子有限公司