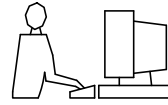
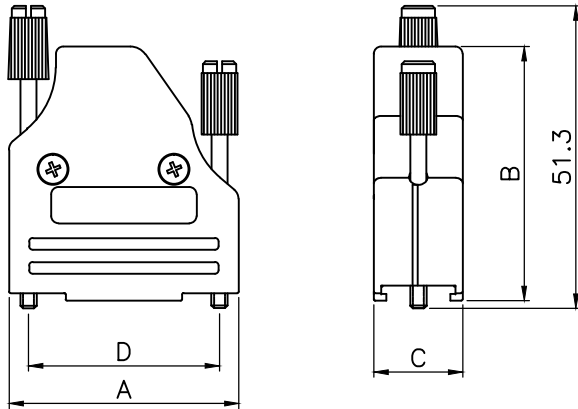


THIS IS A C.A.D. GENERATED DRAWING
DO NOT MAKE MANUAL REVISIONS TO MASTER.

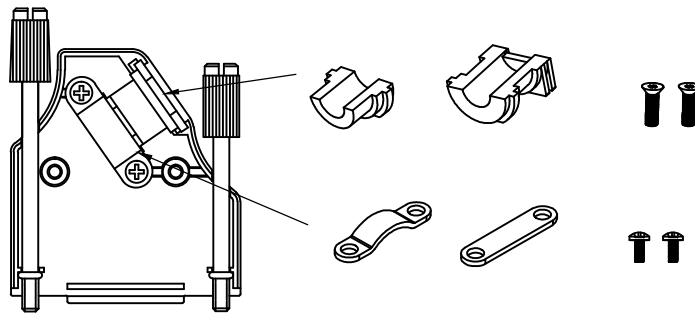


* UNLESS OTHERWISE SPECIFIED TOLERANCES
ON DECIMAL IS: ANGLE $\pm 1^\circ$
UNIT: MM .X ± 0.5

- BACKSHELL KIT INCLUDES:
 (2)BACKSHELL HALVES
 (1)GROMMET
 (2)JACKSCREWS
 (2)SHELLSCREWS
 (2)CLAMPSCREWS
 (1)METAL CLAMP
 (1)METAL CLAMP FLAT



DIMENSIONS(mm/in)				
SIZE	A ± 0.020	B ± 0.083	C ± 0.083	D ± 0.020
9	32.0	43.0	15.5	—
	1.260	1.693	0.610	—
15	40.4	43.0	15.5	33.32
	1.591	1.693	0.610	1.312
25	54.0	48.0	15.5	47.04
	2.126	1.890	0.610	1.852
37	70.5	53.0	15.5	63.50
	2.776	2.087	0.610	2.500



ORDERING INFORMATION:

SIZE	P/N - KITTED	PRODUCT CODE
9-WAY	6560-0139-11	MHDM35-9-K
15-WAY	6560-0139-12	MHDM35-15-K
25-WAY	6560-0139-13	MHDM35-25-K
37-WAY	6560-0139-14	MHDM35-37-K

BACKSHELL: MATERIAL: DIE CAST ZINC ALLOY
 PLATING: NICKEL PLATED
 GROMMET: THERMOPLASTIC ABS
 COLOR: NATURAL NICKEL PLATED
 SCREW: STEEL, ZINC PLATED
 CLAMP: STEEL, SHEET, NICKEL PLATED
 OPERATING TEMP: -40°C TO +120°C

THESE DRAWINGS AND SPECIFICATIONS ARE THE PROPERTY OF MH CONNECTORS LTD. AND SHALL NOT BE REPRODUCED, COPIED OR USED AS THE BASIS FOR THE MANUFACTURE OR SALE OF APPARATUS WITHOUT WRITTEN PERMISSION.

DRAWN HALEY		DATE 01-11-14
APPROVED DAMIEN		DATE 03-11-14
SCALE 1 : 1	SHEET OF 1 OF 1	REV: 4.0
DRAWING No MHDM35-XX-K		



THIS SERIES FULLY CONFORMS TO THE EUROPEAN UNION DIRECTIVES 2002/95/EC AND 2002/96/EC FOR RoHS COMPLIANCY.



MH CONNECTORS LTD.