

THIS DRAWING IS UNPUBLISHED.

RELEASED FOR PUBLICATION

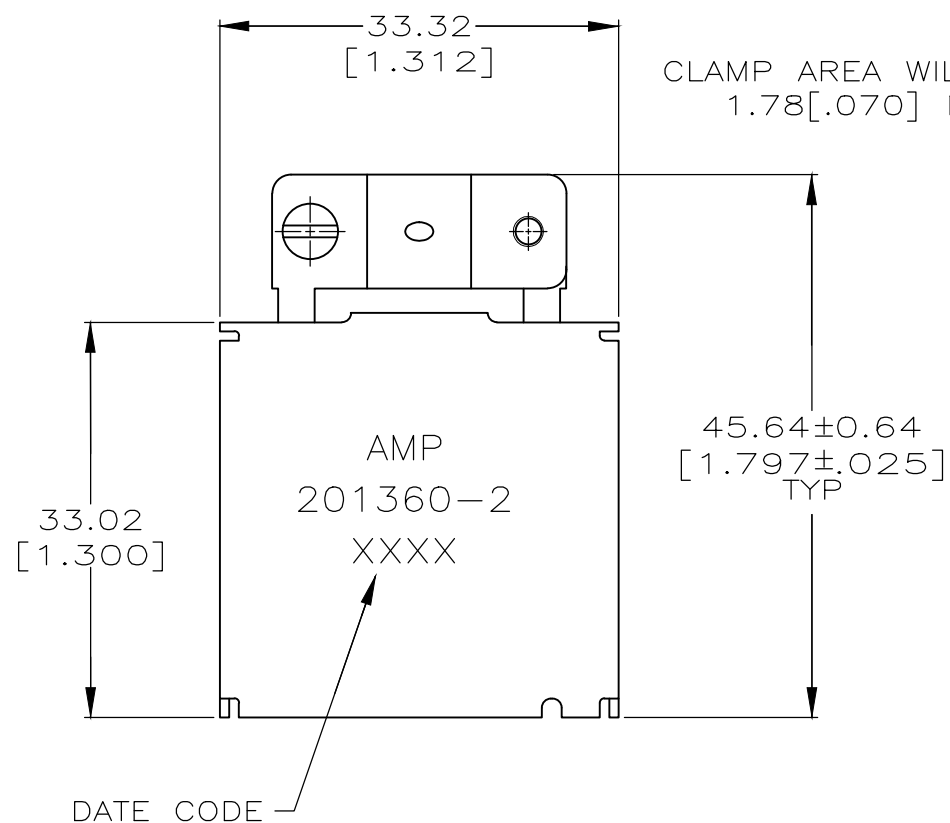
-. - .

REVISIONS

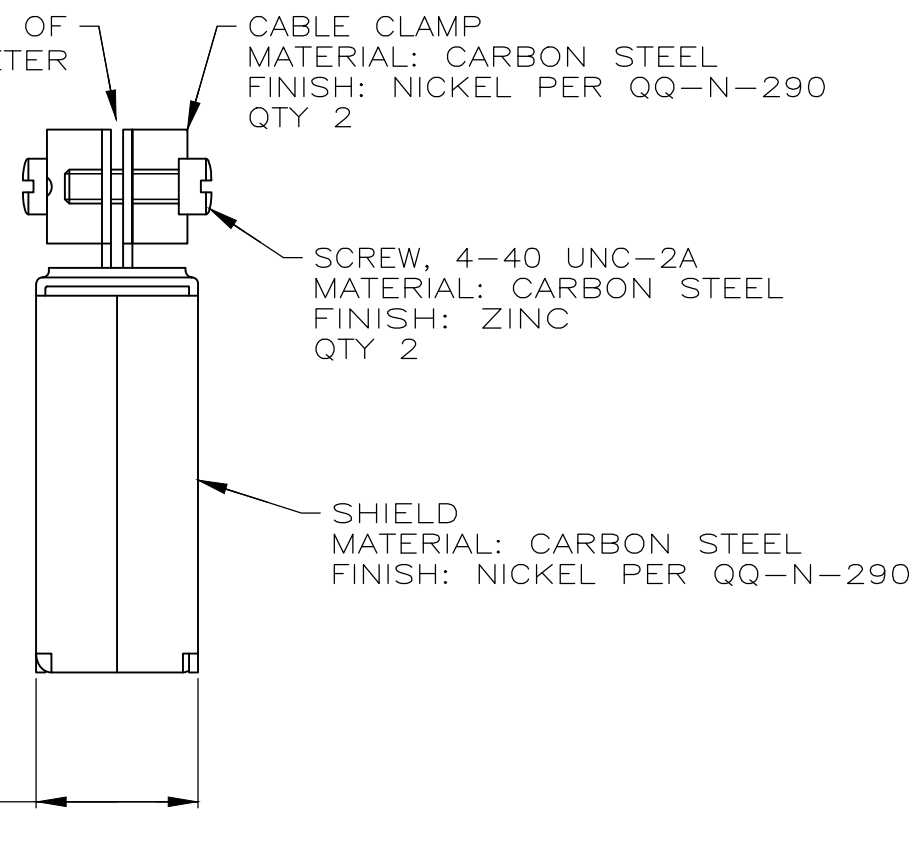
© COPYRIGHT - TE Connectivity Ltd.

ALL RIGHTS RESERVED.

P	LTR	DESCRIPTION	DATE	DWN	APVD
	N	REVISED PER ECO-18-007239	18MAY2018	KH	MZ




CLAMP AREA WILL ACCEPT 14 WIRES OF 1.78[.070] MAX OUTSIDE DIAMETER



201360-2

PART NUMBER

THIS DRAWING IS A CONTROLLED DOCUMENT.		DWN C.OBERMAN 25 SEP 95	 TE Connectivity Ltd.														
DIMENSIONS: mm [INCHES]		CHK R.STONE 25 SEP 95															
TOLERANCES UNLESS OTHERWISE SPECIFIED:		APVD G.A.STEINHAUER 05 NOV 95	NAME SHIELD KIT, UNASSEMBLED, SHORT 14 POSITION, M SERIES														
<table border="0"> <tr><td>0 PLC</td><td>± -</td></tr> <tr><td>1 PLC</td><td>± -</td></tr> <tr><td>2 PLC</td><td>± 0.38[.015]</td></tr> <tr><td>3 PLC</td><td>± -</td></tr> <tr><td>4 PLC</td><td>± -</td></tr> <tr><td>ANGLES</td><td>± -</td></tr> </table>		0 PLC	± -	1 PLC	± -	2 PLC	± 0.38[.015]	3 PLC	± -	4 PLC	± -	ANGLES	± -	PRODUCT SPEC -	APPLICATION SPEC -		
0 PLC	± -																
1 PLC	± -																
2 PLC	± 0.38[.015]																
3 PLC	± -																
4 PLC	± -																
ANGLES	± -																
MATERIAL SEE CALLOUTS	FINISH SEE CALLOUTS	WEIGHT 0	SIZE A3	CAGE CODE 00779	DRAWING NO C-201360	RESTRICTED TO -											
CUSTOMER DRAWING			SCALE 2:1	SHEET 1 OF 1	REV N												

Mouser Electronics

Authorized Distributor

Click to View Pricing, Inventory, Delivery & Lifecycle Information:

[TE Connectivity:](#)

[201360-2](#)