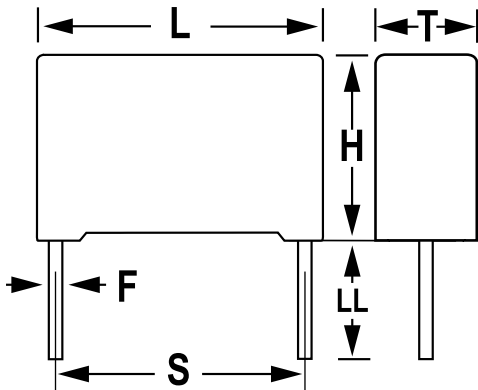


R60, Film, Metallized Polyester Stacked, Automotive Grade, 0.068 uF, 10%, 400 VDC, 85°C, Lead Spacing = 10mm



| Dimensions | |
|------------|-----------------|
| L | 13mm +0.2mm |
| H | 9mm +0.1mm |
| T | 4mm +0.2mm |
| S | 10mm +/-0.4mm |
| LL | 25mm +2/-1mm |
| F | 0.6mm +/-0.05mm |

| Packaging Specifications | |
|--------------------------|-----------|
| Packaging: | Bulk, Bag |
| Packaging Quantity: | 1800 |

| General Information | |
|---------------------|---|
| Supplier: | KEMET |
| Series: | R60 |
| Dielectric: | Metallized Polyester Stacked |
| Style: | Radial |
| Features: | Automotive Grade, DC Multipurpose Applications |
| RoHS: | Yes |
| Lead: | Wire Leads |
| Qualifications: | AEC-Q200 |
| AEC-Q200: | Yes |
| Miscellaneous: | Upper Operating Temperature Of 125C Is Allowed For A Maximum Operating Time Of 1,000 Hours. Above 85C, DC And AC Voltage Derating Is 1.25%/C. |

| Specifications | |
|------------------------|-------------------------|
| Capacitance: | 0.068 uF |
| Capacitance Tolerance: | 10% |
| Voltage AC: | 200 VAC |
| Voltage DC: | 400 VDC |
| Temperature Range: | -55/+105C |
| Rated Temperature: | 85°C |
| Dissipation Factor: | 1.00% 1kHz, 1.50% 10kHz |
| Insulation Resistance: | 30 GOhms |
| Max dV/dt: | 175 V/us |
| Inductance: | 9 nH |