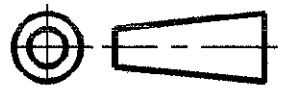


DO NOT SCALE

DIMENSIONS IN mm

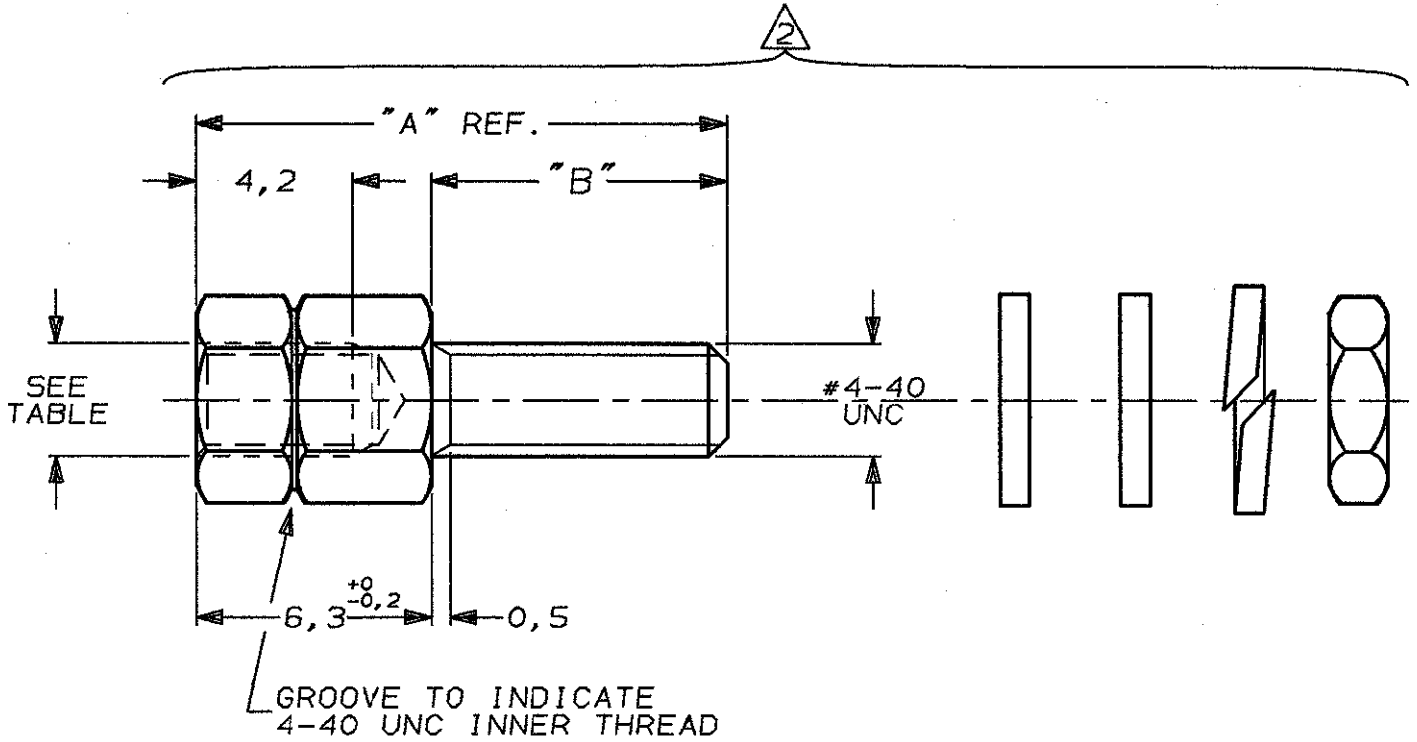
METRIC

THIRD ANGLE
PROJECTION



NOTES:

- 1 PARTS PACKED UNASSEMBLED
- △ THIS KIT CONTAINS TWO SCREWLOCK ASSEMBLIES.
- △ FEMALE SCREWLOCK : BRASS
NUT AND RINGS : STEEL



M3	11,0	17,2	TINPLATED	BRASS	828347-6
4-40 UNC	11,0	17,2			828347-5
M3	9,7	15,9			828347-4
M3	5,0	11,2			828347-3
4-40 UNC	9,7	15,9			828347-2
4-40 UNC	5,0	11,2			828347-1
THREAD	DIM "B"	DIM "A"	FINISH	MATERIAL	ORDERNUMBER

CUSTOMER DRAWING					FOR REFERENCE ONLY WILL NOT BE UPDATED	
© COPYRIGHT 19- BY AMP HOLLAND B.V. ALL INTERNATIONAL RIGHTS RESERVED. AMP PRODUCTS MAY BE COVERED BY U.S. AND FOREIGN AND/OR PATENTS PENDING. THIS DRAWING IS UNPUBLISHED RELEASED FOR PUBLICATION , 19						
AMP			AMP HOLLAND B.V. 's-Hertogenbosch, The Netherlands.			
NAME						
B	H-9720	S.M.	C.V.T	21-04-92	AMPLIMITE, KIT, FEMALE SCREWLOCK ASSEMBLY	
LTR.	REVISION RECORD	DR.	CHK.	DATE		

DR. : D.KESSLER.	CHK. : C.V.TILBURG.	APP. : L.V.SOEST.	DWG.No.	REV.LTR.	SHEET
DATE, 02-04-91	DATE, 23-04-91	DATE, 25-04-91	C-828347	B	1 OF 1 A4