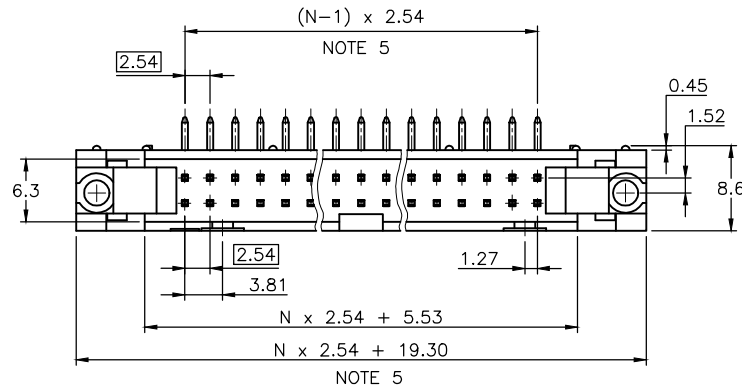


**PRODUCT NUMBER**

**71922-YXXZLF**

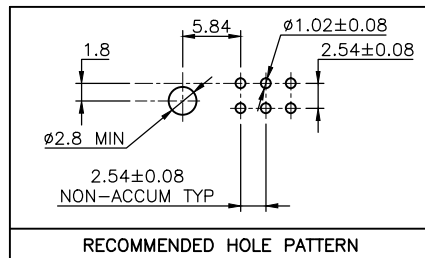
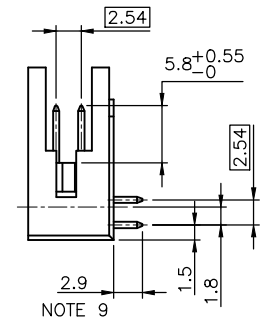
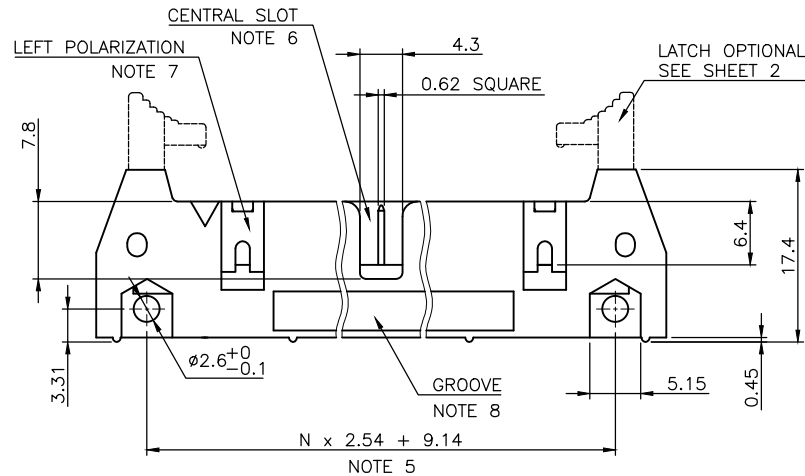
- RoHS COMPATIBLE, SEE NOTE 10
- = STANDARD HOUSING COLOR GREY (WITHOUT OPTIONAL LETTER)
- B= OPTIONAL HOUSING COLOR BLACK
- S= SPECIFIC CUSTOMER PLATING OPTION HOUSING COLOR GREY
- TOTAL NB OF POSITIONS, SEE SHEET 2
- LATCHING
  - 0= WITHOUT LATCH
  - 1= STANDARD LATCH
  - 2= LOW PROFILE LATCH



**NOTES:**

- 1 - HOUSING MAT'L : GLASS FILLED THERMOPLASTIC. UL94V-0
- 2 - PIN MATERIAL : PHOSPHOR BRONZE
- 3 - PRODUCT PACKAGED IN TUBES
- 4 - 40N MIN LATCH RETENTION FORCE AT FIRST EXTRACTION
- 5 - TO DETERMINE DIMENSIONS :  
N = NUMBER OF POSITIONS PER ROW  
EXAMPLE : 8 POS N x 2.54 = 20.32mm
- 6 - NO CENTRAL SLOT ON POSITIONS 6 & 8
- 7 - NO LEFT POLARIZATION ON POSITIONS 06, 08, 10, 14.
- 8 - NO GROOVE ON POSITIONS 06, 08, 10, 14, 30, 34
- 9 - 4.5mm SOLDER TAIL  
ORDER 71922-4XX (WITH STANDARD LATCH ONLY)  
ORDER 71922-5XX (WITH LOW PROFILE LATCH ONLY)
- 10 - RoHS COMPATIBLE PRODUCT SPECIFICATIONS

- a - PLATING:
  - "LF" MEANS THE PRODUCT IS LEAD-FREE, 2µm MINIMUM MATTE TIN OVER 1.27µm MINIMUM NICKEL UNDERPLATE.
- b - MANUFACTURING PROCESS COMPATIBILITY
  - THE HOUSING WILL WITHSTAND EXPOSURE TO 260°C ±5°C SOLDER BATH TEMPERATURE FOR 5 SECONDS IN A WAVE SOLDER APPLICATION WITH A 1.6mm MIN THICK CIRCUIT BOARD.
- c - LABELING:
  - MEETS PACKAGING SPECS AS PER GS-14-920
- d - LEGAL STATEMENT: SEE GS-47-0004.

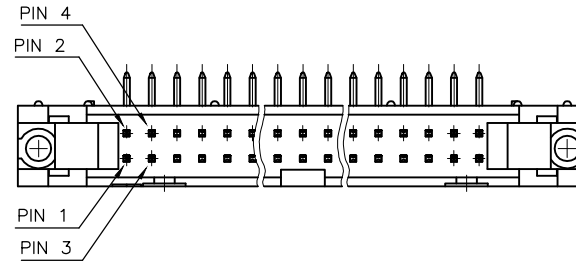


mat'l. code		surface		tolerance		projection		product family	
SEE NOTES		ISO 1302 ✓		ISO 406 ISO 1101		mm		QUICKIE	
ltr	ecn no dr	date		tolerances unless otherwise specified		mm		title	
V	F10-0054	LMU	10.05.19	.XX ±0.3		mm		SHR, EL. HEADER	
W	B-16776	LMU	14.01.23	.XX ±0.13		mm		RA DR TMT	
X	B-18018	JCO	14.06.19	.XXX ±0.05		scale 2:1		dwg no	
Y	B-18236	LMU	14.07.08	dr	D.LE	01.01.24		sheet 1 of 2 size	
AA	B-19092	LMU	14.10.16	engr	JM.C	01.01.24		71922 A3	
AB	B-20349	BVE	15.03.02	chr	JF.N	01.01.24		type	
				appd	JM.C	01.01.24		CUSTOMER Drawing	
sheet index	revision	AB	T						
	sheet	1	2						

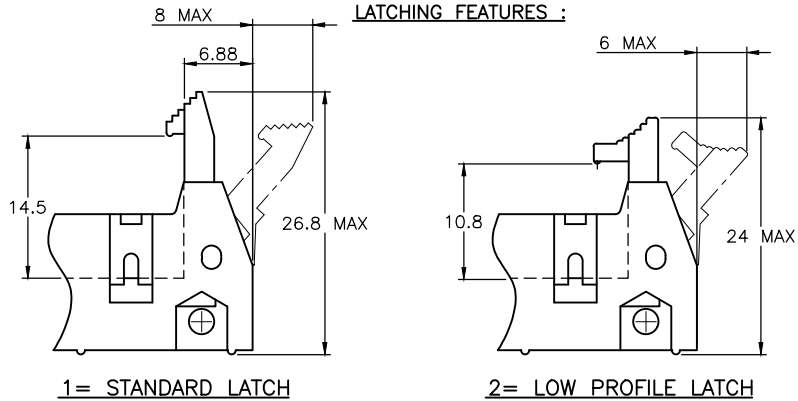
PRODUCT NUMBER	SIZE	LATCHING AVAILABILITY	MISSING PIN POSITIONS
71922-X06(B)LF	2x3	0/1/2	
71922-X08(B)LF	2x4	0/1/2	
71922-X10(B)LF	2x5	0/1/2	
71922-X14(B)LF	2x7	0/1/2	
71922-X16(B)LF	2x8	0/1/2	
71922-X18(B)LF	2x9	0/1/2	
71922-X20(B)LF	2x10	0/1/2	
71922-X26(B)LF	2x13	0/1/2	
71922-X28(B)LF	2x13	0/1/2	PIN 5 TO 12
71922-X30(B)LF	2x15	0/1/2	
71922-X34(B)LF	2x17	0/1/2	
71922-X35(B)LF	2x17	0/1/2	PIN 2 & 3
71922-X39(B)LF	2x20	0/1/2	PIN 20
71922-X40(B)LF	2x20	0/1/2	
71922-X44(B)LF	2x22	0/1/2	
71922-X50(B)LF	2x25	0/1/2	
71922-X60(B)LF	2x30	0/1/2	
71922-X64(B)LF	2x32	0/1/2	

**PLATING :**

- 0.76µm GOLD/GXT  
(PdNi WITH GOLD FLASH) ON CONTACT AREA
- 2µm MIN MATTE TIN ON TAIL
- UNDERPLATE : 1.27µm Ni MIN



**LATCHING FEATURES :**



mat'l. code		surface ISO 1302 ✓		tolerance ISO 406 ISO 1101		projection mm		product family QUICKIE	
ltr		ecn no		date		angles		title SHR.EL.HEADER RA DR TMT	
M		F06-0229		LMU 06.07.17		linear		scale 2:1	
N		F07-0195		LMU 07.05.25				sheet 2 of - size	
P		F08-0146		YOV 08.04.11				71922 A3	
R		B-16776		LMU 14.01.23		dr D.LE 01.01.24		type CUSTOMER Drawing	
S		B-19092		LMU 14.10.16		enrg JM.C 01.01.24			
T		B-20349		BVE 15.03.02		chr JF.N 01.01.24			
						appd JM.C 01.01.24			
sheet index		revision sheet							

# Mouser Electronics

Authorized Distributor

Click to View Pricing, Inventory, Delivery & Lifecycle Information:

## [FCI / Amphenol:](#)

[71922-214LF](#) [71922-150LF](#) [71922-160LF](#) [71922-164LF](#) [71922-114LF](#) [71922-110LF](#) [71922-106LF](#) [71922-116LF](#)  
[71922-140LF](#) [71922-126LF](#) [71922-134LF](#) [71922-120LF](#) [71922-010LF](#) [71922-014LF](#) [71922-026LF](#) [71922-060LF](#)  
[71922-108LF](#) [71922-118LF](#) [71922-130LF](#) [71922-210LF](#) [71922-216LF](#) [71922-226LF](#) [71922-234LF](#) [71922-250LF](#)  
[71922-264LF](#) [71922-220LF](#) [71922-134SLF](#)