

Automotive / Appliance / Industrial control - sensor

10 mm SMD carbon potentiometer PS-10



Mechanical specifications

Mechanical rotation angle	235° ± 5°
Electrical rotation angle	220° ± 20°
Rotational torque	0.4 to 2 Ncm. (0.6 to 2.7 in - oz)
Stop torque	> 5 Ncm. (>7 in-oz)
Life*	Up to 10K cycles

Electrical specifications

Range of values *	1KΩ ≤ Rn ≤ 1MΩ (Decad. 1.0 - 2.0 - 2.2 - 2.5 - 4.7 - 5.0)
Tolerance *	± 30%, ± 25%, ± 20%
Equivalent noise resistance	≤ 3% Rn
Nominal power 50° (122°F)	0.15 W (lin)
Taper *	Linear
Residual resistance	≤ 5.10 ⁻³ Rn
Operating temperature	-40°C + 85°C

* Others: upon request

Main features

- Specifically designed for leadfree reflow soldering processes (excellent performance)
- Carbon resistive element
- IP54 protection according to IEC 60529
- Moisture sensitivity level 1
- Embossed tape according to IEC 60286-3:2007
- Wiped positioned at initial, 50% or fully clockwise
- Full traceability
- Also upon request:
 - Long life model for low cost control potentiometer applications
 - Locating pins for accurate PCB positioning
 - Shaft - knobs
 - Mechanical detents
 - Low torque version
 - Self extinguishable plastic UL 94V-0.

Description

The PS-10 potentiometer offers control where frequent adjustment is required. The shaftless design allows for employment of different engagement mechanisms, such as a customized shaft, a motor control or a human interface adjustment.

This potentiometer can also control variable outputs including frequency, change in motor speed or volume.

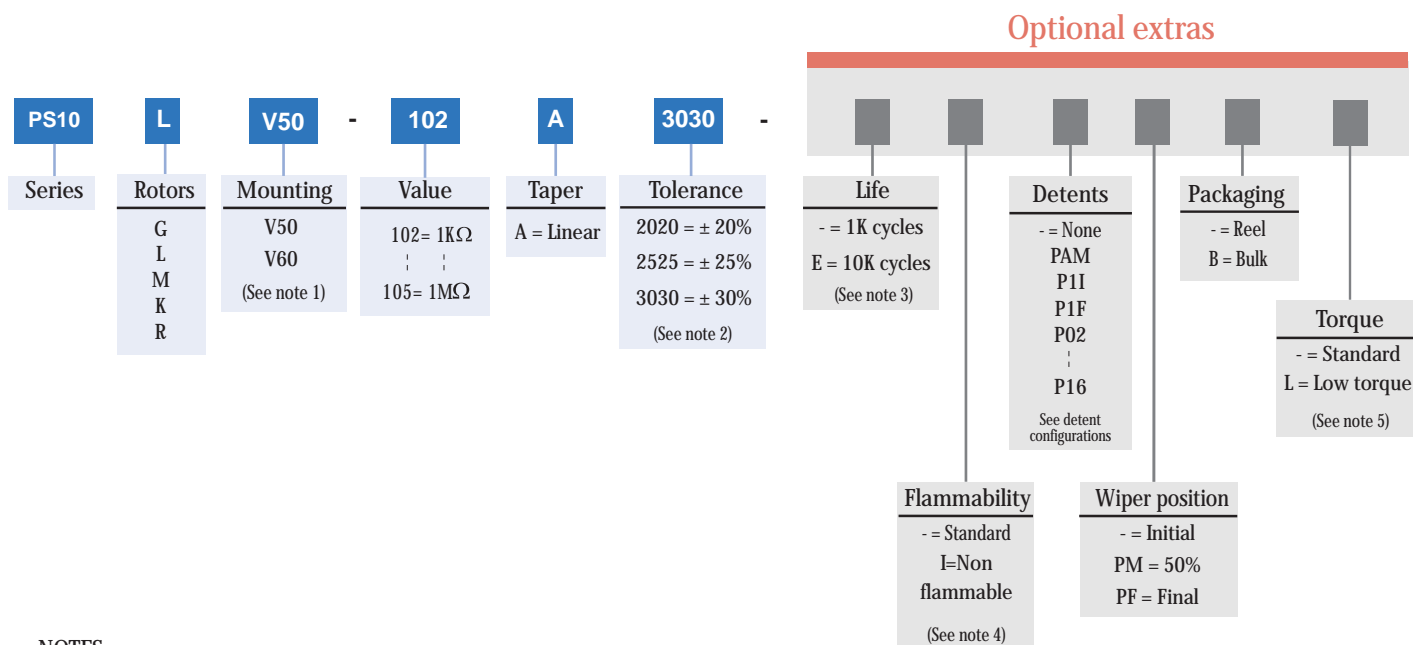
Typical applications include test and measurement equipment, consumer electronics, appliances, small engines, robotics, motion controllers, and medical equipment control panels.

A wide range of options, including up to 16 detents, allows further customization. Detents not only add a crisp "click" sensation for each position without affecting the original sensor specification or performance, but also offer significant savings in both cost and space; and are particularly advantageous in industrial and domestic power tool applications to prevent accidental movement.

Automotive / Appliance / Industrial control - sensor

10 mm SMD carbon potentiometer PS-10

How to order



NOTES

(1) V50: without locating pins. V60: with locating pins.

(2) Others upon request.

Resistance Ω	1K	2K	2.2K	2.5K	4.7K	5K	10K	20K	22K	25K	47K	50K	100K	200K	220K	250K	470K	500K	1M
How to order code	102	202	222	252	472	502	103	203	223	253	473	503	104	204	224	254	474	504	105
Standard tolerance	30%																		

(3) Standard = 1K cycles. Long life = 10K cycles. Others upon request.

(4) Non flammable plastic material for housing and rotor.

(5) Low torque: < 1.5Ncm . No detent option available for low torque models.

How to order examples

PS10RV50-102A3030

10mm potentiometer with rotor "R", V50 mounting method, 1K resistive value, 30% resistive tolerance and crimped terminals.

PS10LV60-105A3030

10mm potentiometer with rotor "L", V60 mounting method, 1M resistive value, 30% resistive tolerance and crimped terminals.

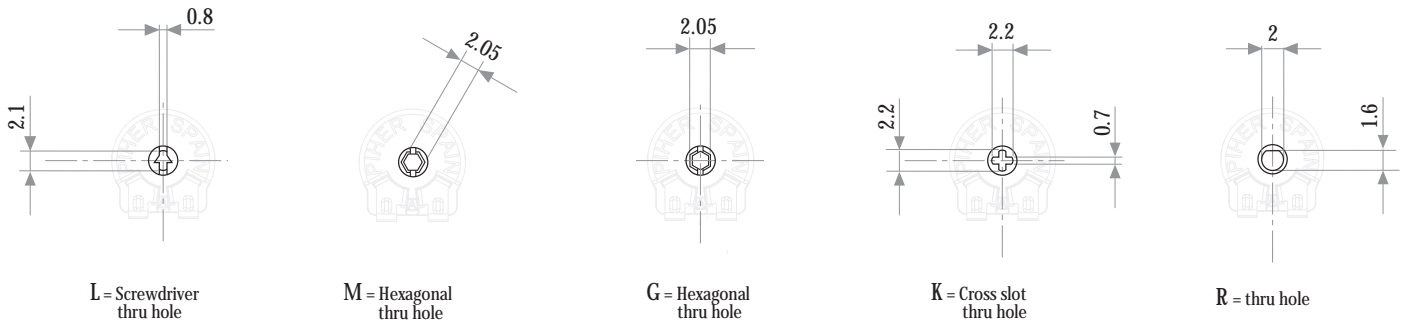
Standard default options

Detents	None
Rotor colour	Dark grey
Housing colour	Dark grey
Wiper position	Initial
Torque	Standard
Packaging	Reel
Life	1K cycles

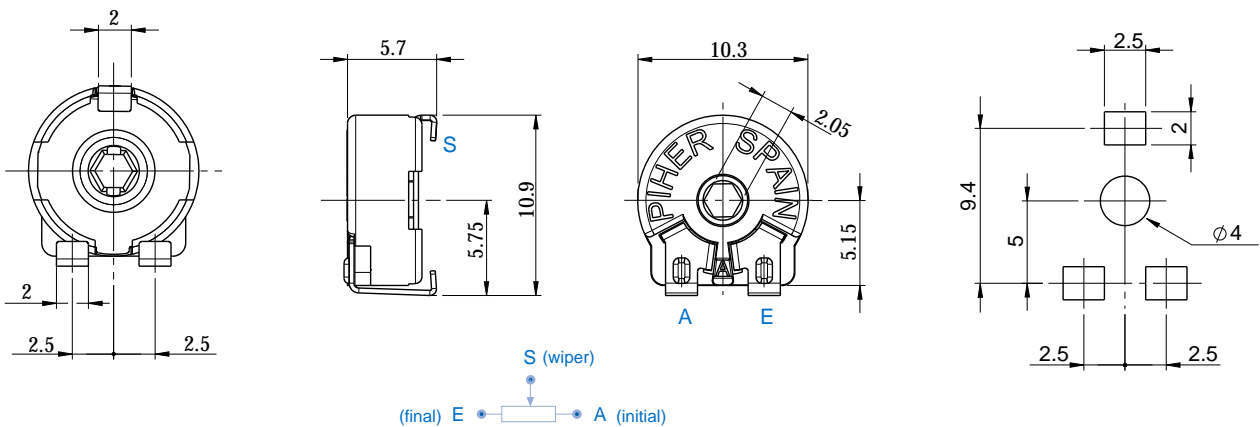
Automotive / Appliance / Industrial control - sensor

10 mm SMD carbon potentiometer PS-10

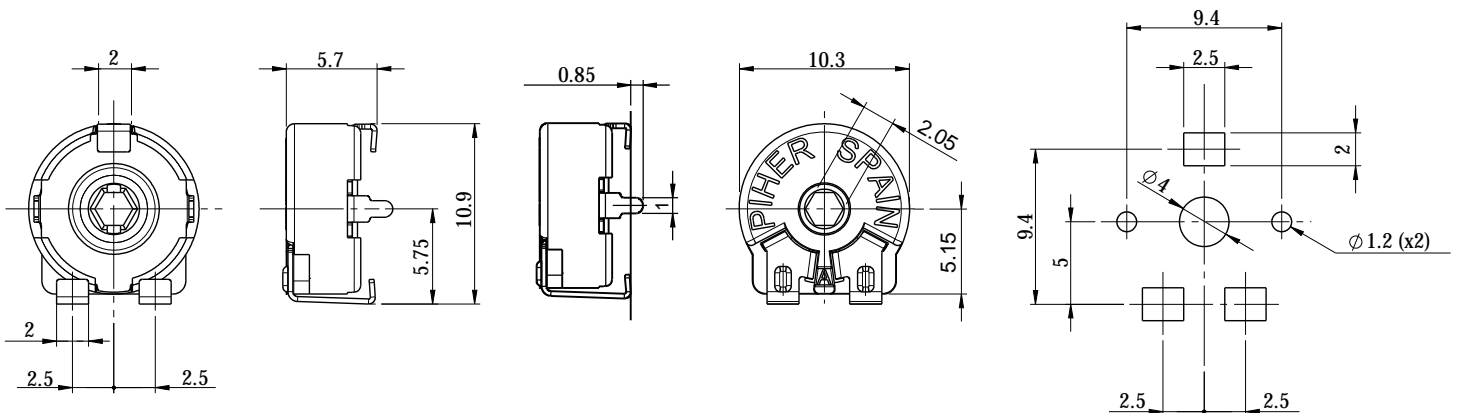
Rotors (Default delivery is at initial position. They are shown positioned at 50% for the picture):




Dimensions - V50



Dimensions - V60

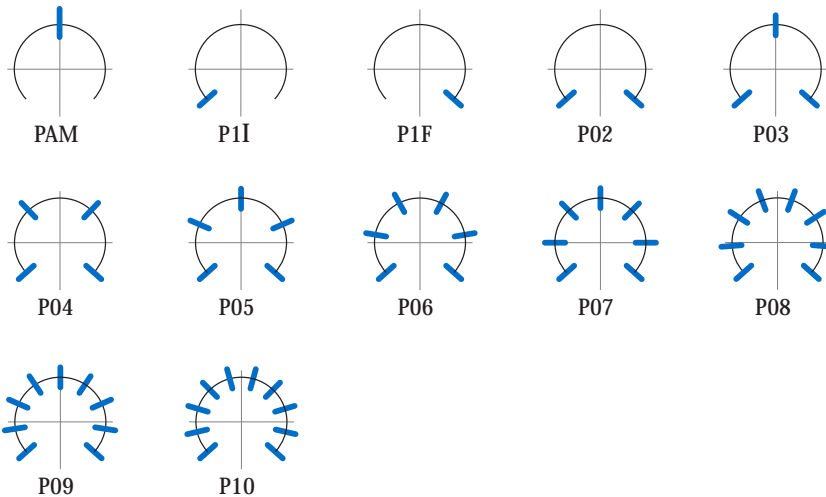


 Download STEP files here:
<https://piher.net/piher/?p=909>

Automotive / Appliance / Industrial control - sensor

10 mm SMD carbon potentiometer PS-10

Detents



- Relative detent positions along the total mechanical travel. Unless otherwise specified the detents are evenly spaced (using the end points as reference)

For other configurations: check availability at info@piher.net.

This innovative potentiometer with detents family has been specifically developed to allow the integration of otherwise large and expensive external mechanisms into the body of the majority of the 6, 10 & 15 mm. potentiometer series thus allowing a high range of configurations: special tapers, tolerances, linearity, cut track, etc.

This detent design not only adds a "click" sensation of position, but also offers enormous savings in both cost and space for any given application.

Detent number and positions can be made or fitted to the customer needs or preferences.

NOTES FOR DETENTED VERSIONS

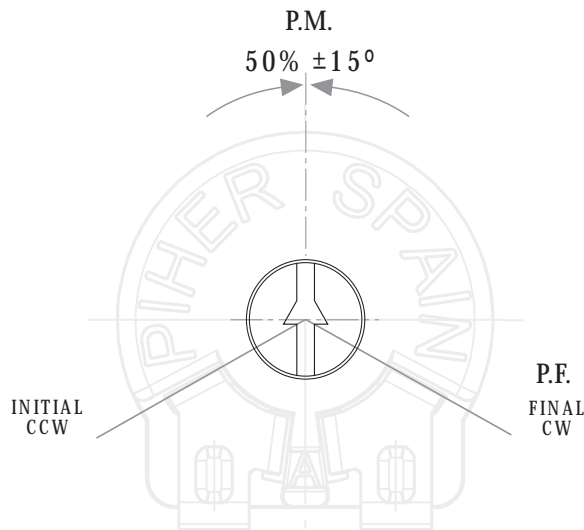
- Some configurations may have a longer leadtime.
- Standard mechanical life is 500 cycles.
- Long life versions are available under request and have the following characteristics at T^a:
 - Potentiometers with 1 to 3 detents: up to 10K cycles
 - Potentiometers with 4 and more detents: up to 5K cycles
- Detent torque can vary from 1.2 to 2.5 times the standard potentiometer torque.
- Different output voltage values can be matched at each detent position (under request).

Automotive / Appliance / Industrial control - sensor

10 mm SMD carbon potentiometer PS-10

Positioning

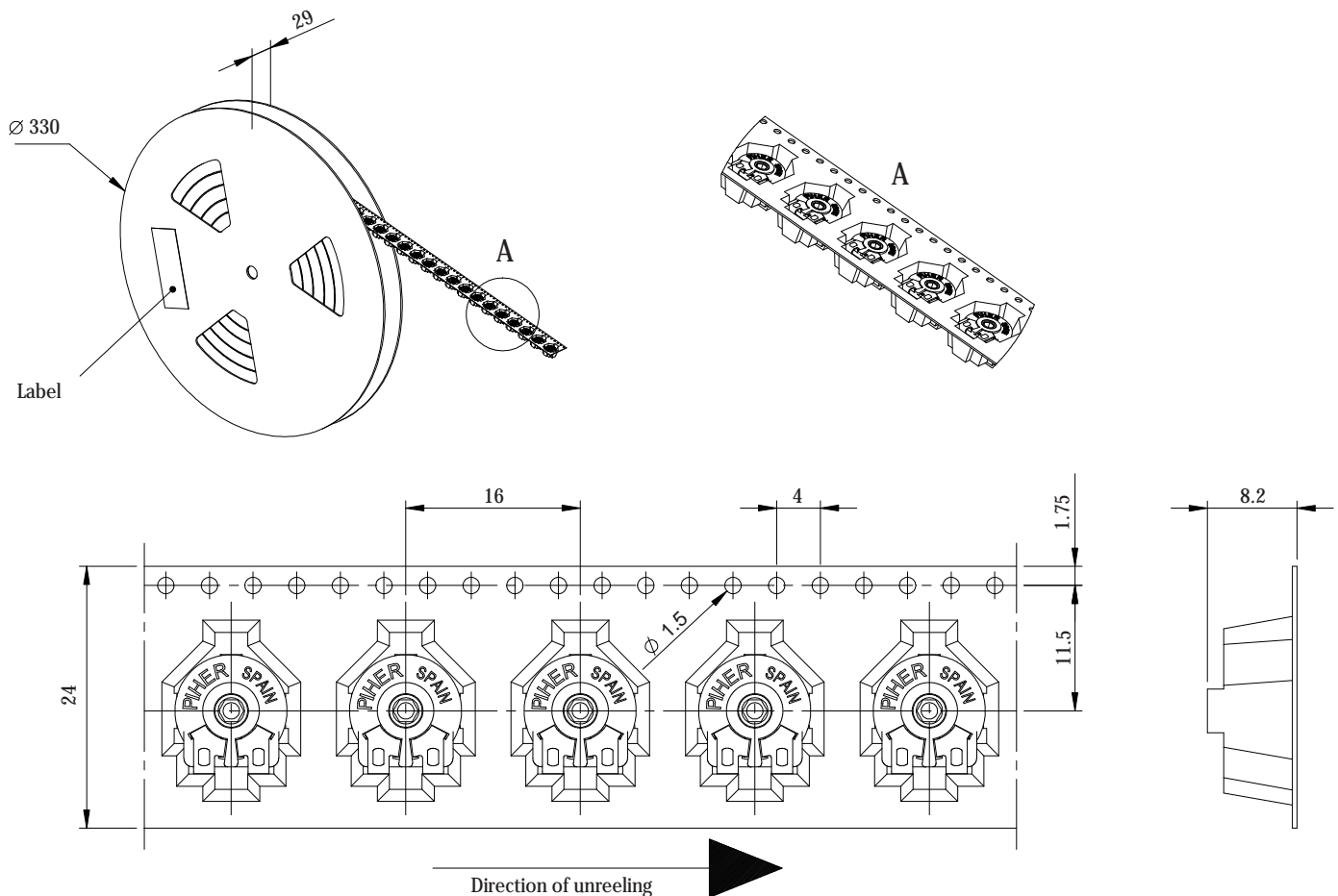
Default position = CCW



Packaging

Bulk: 500pcs / per Box (80 x 85 x 185 mm.)

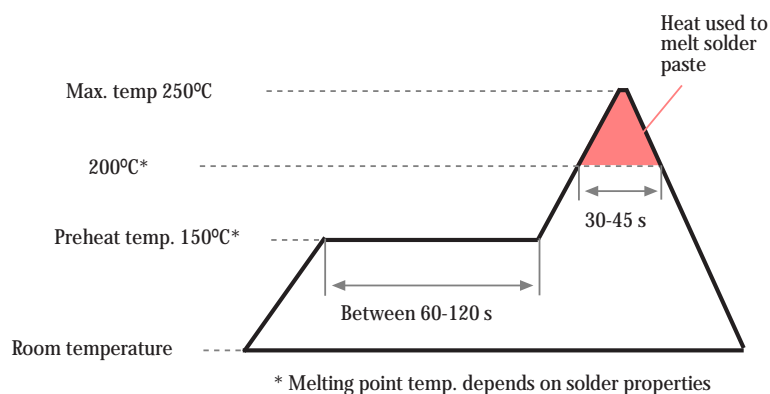
Embossed tape (default): 500pcs / Reel



Automotive / Appliance / Industrial control - sensor

10 mm SMD carbon potentiometer PS-10

Recommended reflow profile



This recommended reflow profile is provided as a guideline. Optimal profile may differ due to oven type, assembly layout or other design or process variables. Customers should verify actual device performance in their specific application and reflow process. Please contact Piher if you require additional support.

Tests

		Typical variations
Electrical life	1000 h. @ 50°C; 0.15 W	±10%
Mechanical life (cycles)	1000 @ 10 CPM ...15 CPM	±10%
Temperature coefficient	-40°C; +85°C	±1500 ppm
	-25°C; +70°C	±1000 ppm
Thermal cycling	16 h. @ 90°C; 2h. @ -40°C	±5%
Damp heat	500 h. @ 40°C @ 95% HR	±15%
Vibration (for each plane,X,Y,Z)	2 h. @ 10 Hz. ... 55 Hz.	±3%

Test at room temperature.

1 cycle = go and return over the total mechanical angle. Other life cycles upon request

Automotive / Appliance / Industrial control - sensor

10mm SMD carbon potentiometer PS-10

Disclaimer

The product information in this catalogue is for reference purposes. Please consult for the most up to date and accurate design information.

Piher Sensors & Controls S.A., its affiliates, agents, and employees, and all persons acting on its or their behalf (collectively, "Piher"), disclaim any and all liability for any errors, inaccuracies or incompleteness contained herein or in any other disclosure relating to any product described herein.

Piher disclaims any and all liability arising out of the use or application of any product described herein or of any information provided herein to the maximum extent permitted by law. The product specifications do not expand or otherwise modify Piher's terms and conditions of sale, including but not limited to the warranty expressed therein, which apply to these products.

No licence, express or implied, by estoppel or otherwise, to any intellectual property rights is granted by this document or by any conduct of Piher.

The products shown herein are not designed for use in medical, life-saving, or life-sustaining applications unless otherwise expressly indicated. Customers using or selling Piher products not expressly indicated for use in such applications do so entirely at their own risk and agree to fully indemnify Piher for any damages arising or resulting from such use or sale. Please contact authorised Piher personnel to obtain written terms and conditions regarding products designed for such applications.

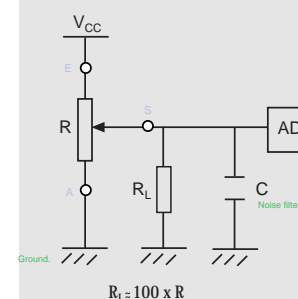
Product names and markings noted herein may be trademarks of their respective owners.

Information contained in and/or attached to this catalogue may be subject to export control regulations of the European Community, USA, or other countries. Each recipient of this document is responsible to ensure that usage and/or transfer of any information contained in this document complies with all relevant export control regulations. If you are in any doubt about the export control restrictions that apply to this information, please contact the sender immediately. For any Piher Exports, Note: All products / technologies are EAR99 Classified commodities. Exports from the United States are in accordance with the Export Administration Regulations. Diversion contrary to US law is prohibited.

Piher is an Amphenol™ company.

Recommended connections

Piher potentiometer's recommended connection circuit for a position sensor or control application. (voltage divider circuit electronic design)



Contact

Piher Sensing Systems
Polígono Industrial Municipal
Vial T2 N°22
31500 Tudela - Spain
Tel: +34-948-820450

sales@piher.net

www.piher.net



All Piher products can be adapted to meet customer's requirements.
Due to continuous process improvement, specifications are subject to change without notice.
Please always use the latest updated datasheets and 3D models published at our website www.piher.net.

v070820 - 270421

Piher Sensing Systems

Potentiometers | Hall-effect sensors | Inductive sensors
Printed electronics | Value added assemblies

Mouser Electronics

Authorized Distributor

Click to View Pricing, Inventory, Delivery & Lifecycle Information:

Amphenol:

[PS10MV50-103A3030](#) [PS10MV50-253A3030](#) [PS10LV50-224A3030](#) [PS10MV60-105A3030](#) [PS10MV50-503A3030](#)
[PS10LV50-253A3030](#) [PS10LV50-102A3030](#) [PS10MV50-472A3030](#) [PS10MV50-104A3030](#) [PS10MV60-102A3030](#)
[PS10GV50-104A3030](#) [PS10MV60-204A3030](#) [PS10RV60-105A3030](#) [PS10MV60-103A3030](#) [PS10MV50-102A3030](#)
[PS10LV50-223A3030](#) [PS10MV50-223A3030](#) [PS10MV50-503A2020](#) [PS10MV60-104A3030](#) [PS10MV50-503A3030-PM](#)
[PS10MV50-103A3030-PM](#) [PS10KV50-104A3030-PM](#) [PS10KV60-503A3030-PM](#) [PS10KV60-104A3030-PM](#)
[PS10LV50-502A3030-P06](#) [PS10MV50-503A3030-I](#) [PS10MV60-104A3030-I](#) [PS10LV50-104A3030-P10-I](#) [PS10LV50-503A3030](#) [PS10LV60-103A3030-PM](#) [PS10KV50-104A3030](#) [PS10KV50-103A3030-I](#) [PS10LV50-473A3030-P08](#)
[PS10LV50-104A3030-P10](#) [PS10KV50-103A3030](#) [PS10LV50-103A2020](#) [PS10LV50-103A3030](#)