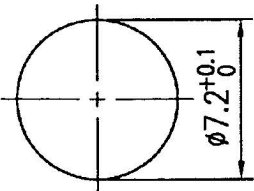
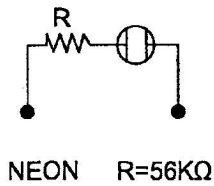
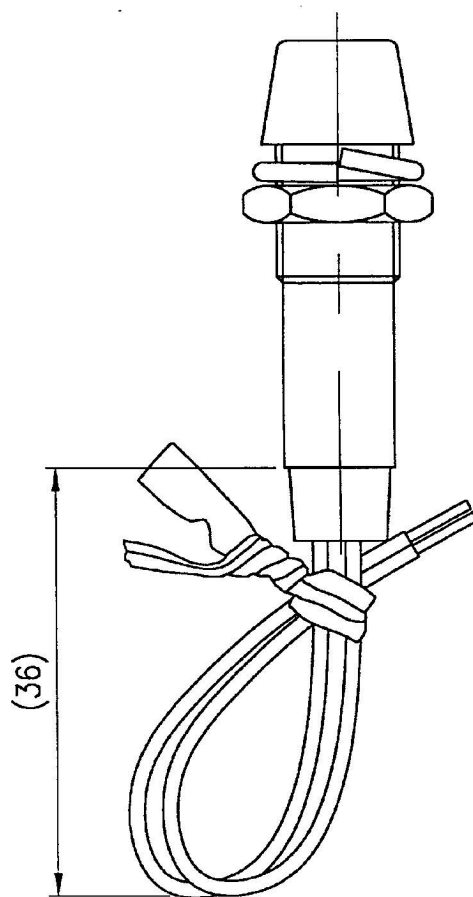
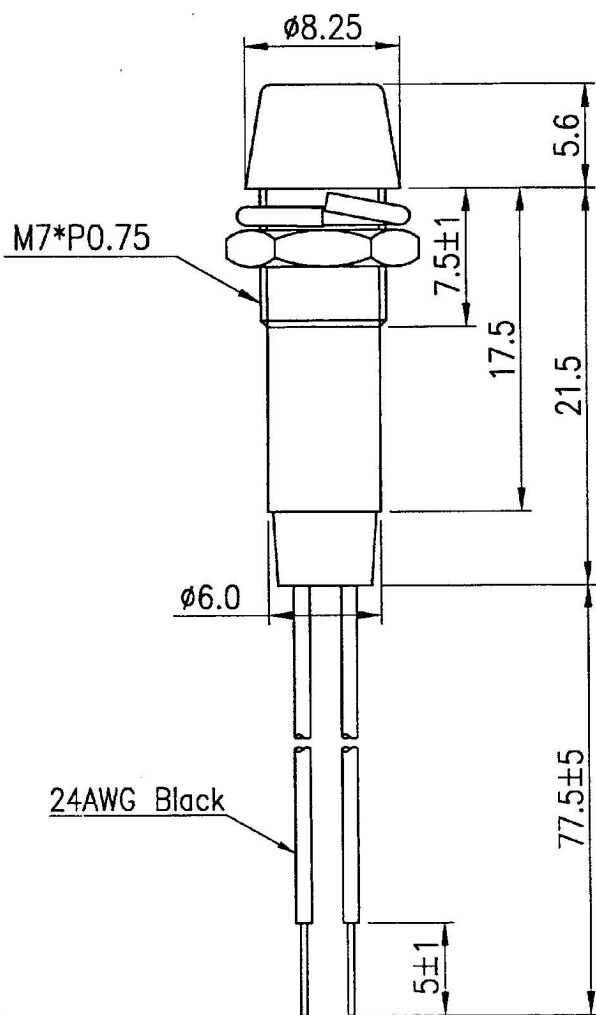


Rating	120V AC		
Insulation Resistance	DC 500V 100M Ohm Min		
Dielectric Strength	AC 1000V 1Min.		
Operation Temperature	-20°C~+85°C		

Material
Housing: Green,PC
Base: Black,PBT



原稿
2013.11.26
研發部

Tolerances ±0.3 Unless Otherwise Specified

								△
								△
Date	Name	Description					NO	
Drawn	Checked	Approved	SCI BOM No.	1710319	Model Name	NEON Indicator		
柳新強			Customer No.	362-R9-118N4-11-G	Model No.	R9-118N4-11-G	Rev.	
11/20/13		11/21-13	Unit	mm(inch)	Shin Chin Industrial Co., Ltd.			0

Mouser Electronics

Authorized Distributor

Click to View Pricing, Inventory, Delivery & Lifecycle Information:

[Shin Chin:](#)

[R9-118N4-11-G](#)