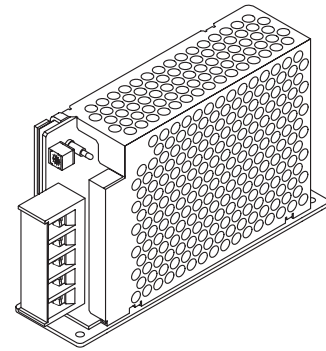


■ PB · PMA Series Attachment

BASE Attachment

Plate model	Applicable models
F-PBA10-1	PBA10F
F-PBA15-1	PBA15F, PBW15F
F-PBA30-1	PBA30F, PBW30F, PMA15F
F-PBA50-1	PBA50F, PBW50F, PMA30F
F-PBA75-1	PBA75F, PMA60F
F-PBA100-1	PBA100F
F-PBA150-1	PBA150F, PMA100F

Example



< TOP VIEW > (Unit : mm) (Tolerance : ±1)

<p>F-PBA10-1</p> <p>Size</p> <ul style="list-style-type: none"> * Material : SECC * Thickness : 2.0 * Weight : 60g max 	<p>F-PBA15-1</p> <p>Size</p> <ul style="list-style-type: none"> * Material : SECC * Thickness : 2.0 * Weight : 70g max
<p>* M3 Flat screw is requested when mounting. Please check the instruction manual for the size of screw.</p>	
<p>Mounting hole size</p> <p>FRONT ←</p>	<p>Mounting hole size</p> <p>FRONT ←</p>
<p>F-PBA30-1</p> <p>Size</p> <ul style="list-style-type: none"> * Material : SECC * Thickness : 2.0 * Weight : 85g max 	<p>F-PBA50-1</p> <p>Size</p> <ul style="list-style-type: none"> * Material : SECC * Thickness : 2.0 * Weight : 95g max
<p>* M3 Flat screw is requested when mounting. Please check the instruction manual for the size of screw.</p>	
<p>Mounting hole size</p> <p>FRONT ←</p>	<p>Mounting hole size</p> <p>FRONT ←</p>

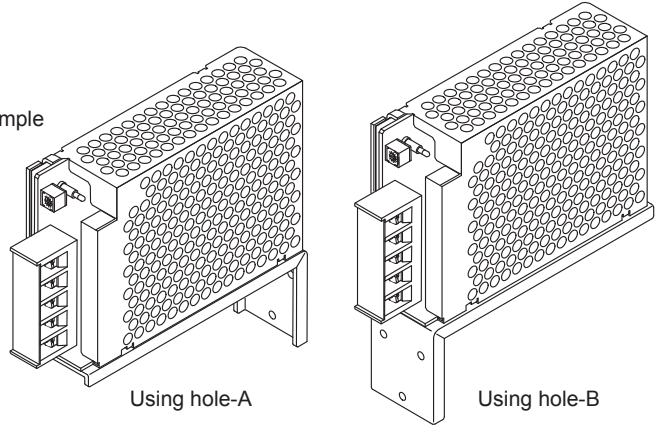
< TOP VIEW > (Unit : mm) (Tolerance : ±1)

<p style="text-align: center;">F-PBA75-1</p> <p>Size</p> <ul style="list-style-type: none"> * Material : SECC * Thickness : 2.0 * Weight : 110g max 	<p style="text-align: center;">F-PBA100-1</p> <p>Size</p> <ul style="list-style-type: none"> * Material : SECC * Thickness : 2.0 * Weight : 110g max
<p>* M3 Flat screw is requested when mounting. Please check the instruction manual for the size of screw.</p>	
<p>Mounting hole size</p> <p>FRONT ←</p>	<p>Mounting hole size</p> <p>FRONT ←</p>
<p style="text-align: center;">F-PBA150-1</p>	
<p>Size</p> <ul style="list-style-type: none"> * Material : SECC * Thickness : 2.0 * Weight : 130g max 	
<p>* M3 Flat screw is requested when mounting. Please check the instruction manual for the size of screw.</p>	
<p>Mounting hole size</p> <p>FRONT ←</p>	

FRONT · REVERSE
Attachment

Plate model	Applicable models
F-PBA10-2	PBA10F
F-PBA15-2	PBA15F, PBW15F
F-PBA30-2	PBA30F, PBW30F, PMA15F
F-PBA50-2	PBA50F, PBW50F, PMA30F
F-PBA75-2	PBA75F, PMA60F
F-PBA100-2	PBA100F
F-PBA150-2	PBA150F, PMA100F

Example



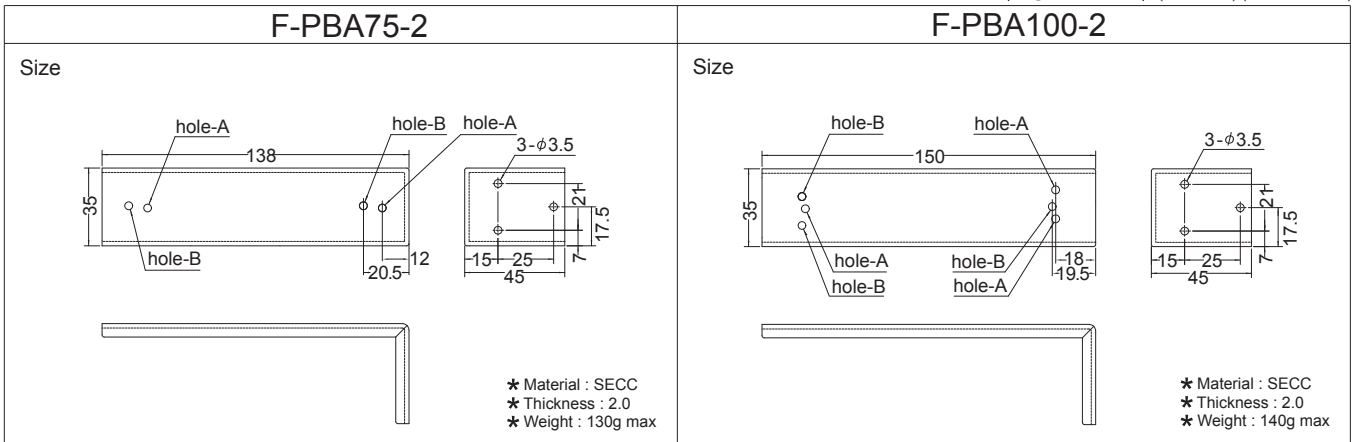
Using hole-A

Using hole-B

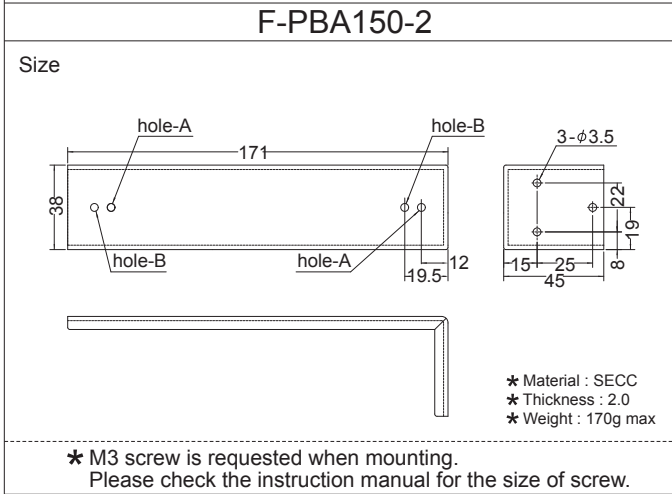
< TOP VIEW > (Unit : mm) (Tolerance : ±1)

F-PBA10-2	F-PBA15-2
<p>Size</p> <ul style="list-style-type: none"> * Material : SECC * Thickness : 1.6 * Weight : 60g max 	<p>Size</p> <ul style="list-style-type: none"> * Material : SECC * Thickness : 1.6 * Weight : 70g max
<p>* M3 screw is requested when mounting. Please check the instruction manual for the size of screw.</p>	
F-PBA30-2	F-PBA50-2
<p>Size</p> <ul style="list-style-type: none"> * Material : SECC * Thickness : 1.6 * Weight : 80g max 	<p>Size</p> <ul style="list-style-type: none"> * Material : SECC * Thickness : 2.0 * Weight : 120g max
<p>* M3 screw is requested when mounting. Please check the instruction manual for the size of screw.</p>	

< TOP VIEW > (Unit : mm) (Tolerance : ±1)



* M3 screw is requested when mounting.
Please check the instruction manual for the size of screw.



* M3 screw is requested when mounting.
Please check the instruction manual for the size of screw.

PMA Series

Mating harness

Model	Harness model #	Contents
PMA15F, PMA30F, PMA60F, PMA100F	H-IN -15	Input harness when I/O interface is connector (Mfr:Tyco Electronics AMP) type
PMA15F, PMA30F	H-OU-28	Output harness when I/O interface is connector (Mfr:Tyco Electronics AMP) type
PMA60F	H-OU-29	Output harness when I/O interface is connector (Mfr:Tyco Electronics AMP) type
PMA100F	H-OU-30	Output harness when I/O interface is connector (Mfr:Tyco Electronics AMP) type
PMA15F, PMA30F, PMA60F, PMA100F	H-IN - 3	Input harness when I/O interface is connector (Mfr:J.S.T) type (option:-J)
PMA15F, PMA30F	H-OU- 9	Output harness when I/O interface is connector (Mfr:J.S.T) type (option:-J)
PMA60F	H-OU-18	Output harness when I/O interface is connector (Mfr:J.S.T) type (option:-J)
PMA100F	H-OU-10	Output harness when I/O interface is connector (Mfr:J.S.T) type (option:-J)
PMA60F, PMA100F	H-RC- 1	Harness for using option : -R

<p>●Model number</p> <h3>H-IN-3</h3> <p>Housing : VHR-5N (J.S.T.) Pin : SVH-21T-P1.1 (J.S.T.) Weight : 20g max</p>	<p>●Type</p>	<p>●Wire</p> <table border="1"> <thead> <tr> <th>Pin #</th> <th>Wire</th> <th>AWG</th> <th>Color</th> <th>Length ℓ (mm)</th> </tr> </thead> <tbody> <tr> <td>1</td> <td>UL1015</td> <td>20</td> <td>white</td> <td>500</td> </tr> <tr> <td>2</td> <td></td> <td></td> <td></td> <td></td> </tr> <tr> <td>3</td> <td>UL1015</td> <td>20</td> <td>black</td> <td>500</td> </tr> <tr> <td>4</td> <td></td> <td></td> <td></td> <td></td> </tr> <tr> <td>5</td> <td>UL1015</td> <td>20</td> <td>green</td> <td>500</td> </tr> </tbody> </table>	Pin #	Wire	AWG	Color	Length ℓ (mm)	1	UL1015	20	white	500	2					3	UL1015	20	black	500	4					5	UL1015	20	green	500
Pin #	Wire	AWG	Color	Length ℓ (mm)																												
1	UL1015	20	white	500																												
2																																
3	UL1015	20	black	500																												
4																																
5	UL1015	20	green	500																												
<p>●Model number</p> <h3>H-IN-15</h3> <p>Housing : 1-1123722-5 (Tyco Electronics AMP) Pin : 1123721-1 or 1318912-1 (Tyco Electronics AMP) Weight : 20g max</p>	<p>●Type</p>	<p>●Wire</p> <table border="1"> <thead> <tr> <th>Pin #</th> <th>Wire</th> <th>AWG</th> <th>Color</th> <th>Length ℓ (mm)</th> </tr> </thead> <tbody> <tr> <td>1</td> <td>UL1015</td> <td>20</td> <td>white</td> <td>500</td> </tr> <tr> <td>2</td> <td></td> <td></td> <td></td> <td></td> </tr> <tr> <td>3</td> <td>UL1015</td> <td>20</td> <td>black</td> <td>500</td> </tr> <tr> <td>4</td> <td></td> <td></td> <td></td> <td></td> </tr> <tr> <td>5</td> <td>UL1015</td> <td>20</td> <td>green</td> <td>500</td> </tr> </tbody> </table>	Pin #	Wire	AWG	Color	Length ℓ (mm)	1	UL1015	20	white	500	2					3	UL1015	20	black	500	4					5	UL1015	20	green	500
Pin #	Wire	AWG	Color	Length ℓ (mm)																												
1	UL1015	20	white	500																												
2																																
3	UL1015	20	black	500																												
4																																
5	UL1015	20	green	500																												
<p>●Model number</p> <h3>H-OU-9</h3> <p>Housing : VHR-4N (J.S.T.) Pin : SVH-21T-P1.1 (J.S.T.) Weight : 40g max</p>	<p>●Type</p>	<p>●Wire</p> <table border="1"> <thead> <tr> <th>Pin #</th> <th>Wire</th> <th>AWG</th> <th>Color</th> <th>Length ℓ (mm)</th> </tr> </thead> <tbody> <tr> <td>1</td> <td>UL1015</td> <td>18</td> <td>black</td> <td>500</td> </tr> <tr> <td>2</td> <td>UL1015</td> <td>18</td> <td>black</td> <td>500</td> </tr> <tr> <td>3</td> <td>UL1015</td> <td>18</td> <td>red</td> <td>500</td> </tr> <tr> <td>4</td> <td>UL1015</td> <td>18</td> <td>red</td> <td>500</td> </tr> </tbody> </table>	Pin #	Wire	AWG	Color	Length ℓ (mm)	1	UL1015	18	black	500	2	UL1015	18	black	500	3	UL1015	18	red	500	4	UL1015	18	red	500					
Pin #	Wire	AWG	Color	Length ℓ (mm)																												
1	UL1015	18	black	500																												
2	UL1015	18	black	500																												
3	UL1015	18	red	500																												
4	UL1015	18	red	500																												
<p>●Model number</p> <h3>H-OU-10</h3> <p>Housing : VHR-8N (J.S.T.) Pin : SVH-21T-P1.1 (J.S.T.) Weight : 80g max</p>	<p>●Type</p>	<p>●Wire</p> <table border="1"> <thead> <tr> <th>Pin #</th> <th>Wire</th> <th>AWG</th> <th>Color</th> <th>Length ℓ (mm)</th> </tr> </thead> <tbody> <tr> <td>1 - 4</td> <td>UL1015</td> <td>18</td> <td>black</td> <td>500</td> </tr> <tr> <td>5 - 8</td> <td>UL1015</td> <td>18</td> <td>red</td> <td>500</td> </tr> </tbody> </table>	Pin #	Wire	AWG	Color	Length ℓ (mm)	1 - 4	UL1015	18	black	500	5 - 8	UL1015	18	red	500															
Pin #	Wire	AWG	Color	Length ℓ (mm)																												
1 - 4	UL1015	18	black	500																												
5 - 8	UL1015	18	red	500																												
<p>●Model number</p> <h3>H-OU-18</h3> <p>Housing : VHR-6N (J.S.T.) Pin : SVH-21T-P1.1 (J.S.T.) Weight : 60g max</p>	<p>●Type</p>	<p>●Wire</p> <table border="1"> <thead> <tr> <th>Pin #</th> <th>Wire</th> <th>AWG</th> <th>Color</th> <th>Length ℓ (mm)</th> </tr> </thead> <tbody> <tr> <td>1 - 3</td> <td>UL1015</td> <td>18</td> <td>black</td> <td>500</td> </tr> <tr> <td>4 - 6</td> <td>UL1015</td> <td>18</td> <td>red</td> <td>500</td> </tr> </tbody> </table>	Pin #	Wire	AWG	Color	Length ℓ (mm)	1 - 3	UL1015	18	black	500	4 - 6	UL1015	18	red	500															
Pin #	Wire	AWG	Color	Length ℓ (mm)																												
1 - 3	UL1015	18	black	500																												
4 - 6	UL1015	18	red	500																												
<p>●Model number</p> <h3>H-OU-28</h3> <p>Housing : 1-1123722-4 (Tyco Electronics AMP) Pin : 1123721-1 or 1318912-1 (Tyco Electronics AMP) Weight : 40g max</p>	<p>●Type</p>	<p>●Wire</p> <table border="1"> <thead> <tr> <th>Pin #</th> <th>Wire</th> <th>AWG</th> <th>Color</th> <th>Length ℓ (mm)</th> </tr> </thead> <tbody> <tr> <td>1</td> <td>UL1015</td> <td>18</td> <td>black</td> <td>500</td> </tr> <tr> <td>2</td> <td>UL1015</td> <td>18</td> <td>black</td> <td>500</td> </tr> <tr> <td>3</td> <td>UL1015</td> <td>18</td> <td>red</td> <td>500</td> </tr> <tr> <td>4</td> <td>UL1015</td> <td>18</td> <td>red</td> <td>500</td> </tr> </tbody> </table>	Pin #	Wire	AWG	Color	Length ℓ (mm)	1	UL1015	18	black	500	2	UL1015	18	black	500	3	UL1015	18	red	500	4	UL1015	18	red	500					
Pin #	Wire	AWG	Color	Length ℓ (mm)																												
1	UL1015	18	black	500																												
2	UL1015	18	black	500																												
3	UL1015	18	red	500																												
4	UL1015	18	red	500																												
<p>●Model number</p> <h3>H-OU-29</h3> <p>Housing : 1-1123722-6 (Tyco Electronics AMP) Pin : 1123721-1 or 1318912-1 (Tyco Electronics AMP) Weight : 60g max</p>	<p>●Type</p>	<p>●Wire</p> <table border="1"> <thead> <tr> <th>Pin #</th> <th>Wire</th> <th>AWG</th> <th>Color</th> <th>Length ℓ (mm)</th> </tr> </thead> <tbody> <tr> <td>1 - 3</td> <td>UL1015</td> <td>18</td> <td>black</td> <td>500</td> </tr> <tr> <td>4 - 6</td> <td>UL1015</td> <td>18</td> <td>red</td> <td>500</td> </tr> </tbody> </table>	Pin #	Wire	AWG	Color	Length ℓ (mm)	1 - 3	UL1015	18	black	500	4 - 6	UL1015	18	red	500															
Pin #	Wire	AWG	Color	Length ℓ (mm)																												
1 - 3	UL1015	18	black	500																												
4 - 6	UL1015	18	red	500																												

●Model number

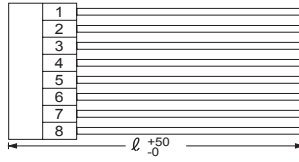
H-OU-30

Housing : 1-1123722-8 (Tyco Electronics AMP)

Pin : 1123721-1 or
1318912-1 (Tyco Electronics AMP)

Weight : 75g max

●Type



●Wire

Pin #	Wire	AWG	Color	Length <i>l</i> (mm)
1 - 4	UL1015	18	black	500
5 - 8	UL1015	18	red	500

●Model number

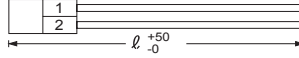
H-RC-1

Housing : XHP-2 (J.S.T.)

Pin : SXH-001T-P0.6 (J.S.T.)

Weight : 7g max

●Type



●Wire

Pin #	Wire	AWG	Color	Length <i>l</i> (mm)
1	UL1007	22	orange	500
2	UL1007	22	blue	500

Mouser Electronics

Authorized Distributor

Click to View Pricing, Inventory, Delivery & Lifecycle Information:

Cosel:

[F-PBA100-2](#) [F-PBA50-2](#) [F-PBA30-1](#) [F-PBA75-1](#) [F-PBA150-2](#) [F-PBA10-1](#) [F-PBA30-2](#) [F-PBA75-2](#) [F-PBA15-1](#) [F-PBA15-2](#) [F-PBA100-1](#) [F-PBA10-2](#) [F-PBA150-1](#) [F-PBA50-1](#) [F-K10-2](#) [N-R150](#) [N1-FCA200](#) [F-HM-1](#) [N-R50A](#) [N1-FCA50](#) [N-R15A](#) [F-K15-1](#) [F-P100-2](#) [N-K10A](#) [N-R25A](#) [F-P150-1](#) [N-LEA150](#) [F-P150-2](#) [N-RMC15](#) [N-RMC30](#) [N-R100](#) [F-P100-1](#) [N-RMC50](#) [N-R10A](#) [F-K15-2](#) [F-K10-1](#)