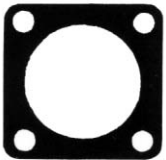
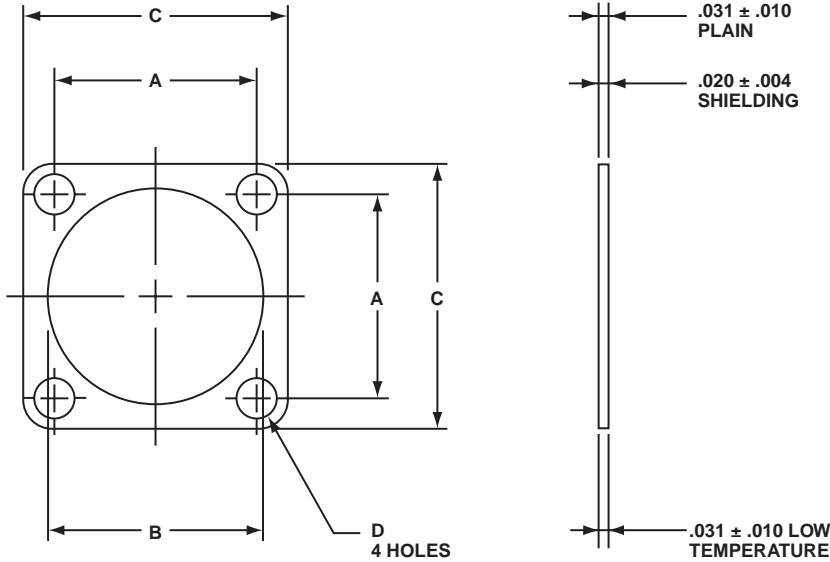


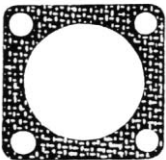
MS/Standard Accessories

10-40450, 10-36675

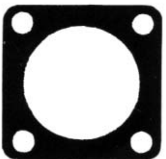
sealing gaskets



The Amphenol® plain flat gasket of synthetic rubber material is provided to take complete advantage of waterproof and pressure sealing features. It is for use with the flange mounted receptacle.



This flat gasket is provided to give the maximum in connector performance. Its special feature is in providing the maximum radio shielding under difficult conditions of high receiver sensitivity and low signal strength while retaining the sealing characteristics of the plain gasket. This gasket is for use with the flange mounting receptacle.



This gasket is provided for applications where the major requirement is resistance to the injurious effects of extremely low temperature. Even at temperatures as low as -67°F this gasket retains its resiliency and will seal a pressure differential of 30 psi.

MS Shell Size	Installation Dimensions				Order Data		
	A $\pm .010$	B $+0.016$ -0.000	C $+0.016$ -0.000	D $\pm .010$	Plain	Shielding	Low Temperature
8S	.594	.500	.875	.172	10-40450-8	10-40450-8S	10-36675-8
10S	.719	.625	1.000	.172	10-40450-10	10-40450-10S	10-36675-10
10SL	.719	.625	1.000	.172	10-40450-10	10-40450-10S	10-36675-10
12S	.813	.750	1.094	.172	10-40450-12	10-40450-12S	10-36675-12
12	.813	.750	1.094	.172	10-40450-12	10-40450-12S	10-36675-12
14S	.906	.875	1.188	.172	10-40450-14	10-40450-14S	10-35575-14
14	.906	.875	1.188	.172	10-40450-14	10-40450-14S	10-36675-14
16S	.969	1.000	1.281	.172	10-40450-16	10-40450-16S	10-36675-16
16	.969	1.000	1.281	.172	10-40450-16	10-40450-16S	10-36675-16
18	1.063	1.125	1.375	.203	10-40450-18	10-40450-18S	10-36675-18
20	1.156	1.250	1.500	.203	10-40450-20	10-40450-20S	10-36675-20
22	1.250	1.375	1.625	.203	10-40450-22	10-40450-22S	10-36675-22
24	1.375	1.500	1.750	.203	10-40450-24	10-40450-24S	10-36675-24
28	1.563	1.750	2.000	.203	10-40450-28	10-40450-28S	10-36675-28
32	1.750	2.000	2.250	.219	10-40450-32	10-40450-32S	10-36675-32
36	1.938	2.188	2.500	.219	10-40450-36	10-40450-36S	10-36675-36
40	2.188	2.438	2.750	.219	10-40450-40	10-40450-40S	10-36675-40

All dimensions for reference only.

Mouser Electronics

Authorized Distributor

Click to View Pricing, Inventory, Delivery & Lifecycle Information:

Amphenol:

[10-040450-010](#) [10-040450-014](#) [10-040450-24S](#) [10-040450-012](#) [10-040450-016](#) [10-040450-018](#) [10-040450-020](#)
[10-040450-022](#) [10-040450-024](#) [10-036675-020](#) [10-040450-028](#) [10-040450-20S](#) [10-040450-22S](#) [10-040450-18S](#) [10-](#)
[036675-024](#) [10-040450-032](#) [10-040450-036](#) [10-040450-28S](#) [10-580902-163](#) [GT40TV](#) [10-036675-016](#) [10-036675-](#)
[036](#) [10-036675-032](#) [10-036675-010](#) [10-036675-014](#) [10-036675-018](#) [10-040450-32S](#) [10-036675-022](#) [10-036675-028](#)
[10-040450-12S](#) [10-040450-14S](#) [10-040450-36S](#) [10-036675-008](#) [10-036675-044](#) [10-580902-283](#) [10-580936-363](#)
[10-40450-10S](#) [10-40450-28S](#) [10-40450-40S](#) [10-40450-20S](#) [10-40450-12S](#) [10-40450-24S](#) [10-40450-32S](#) [10-40450-](#)
[14S](#) [10-40450-16S](#) [10-401671-243](#) [10-036675-14](#) [10-036675-16](#) [10-040450-10S](#) [10-40450-16](#) [10-040450-044](#) [10-](#)
[40450-14](#) [10-040450-16S](#) [10-580902-18Z](#)