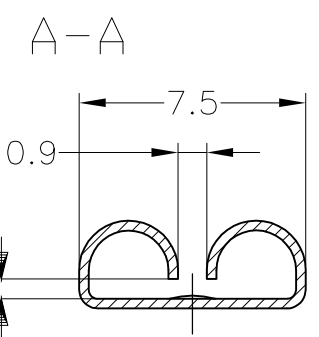
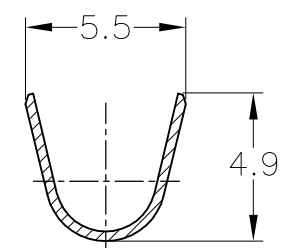
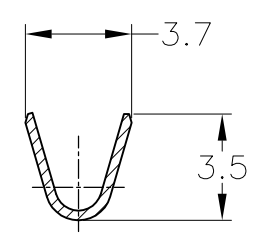
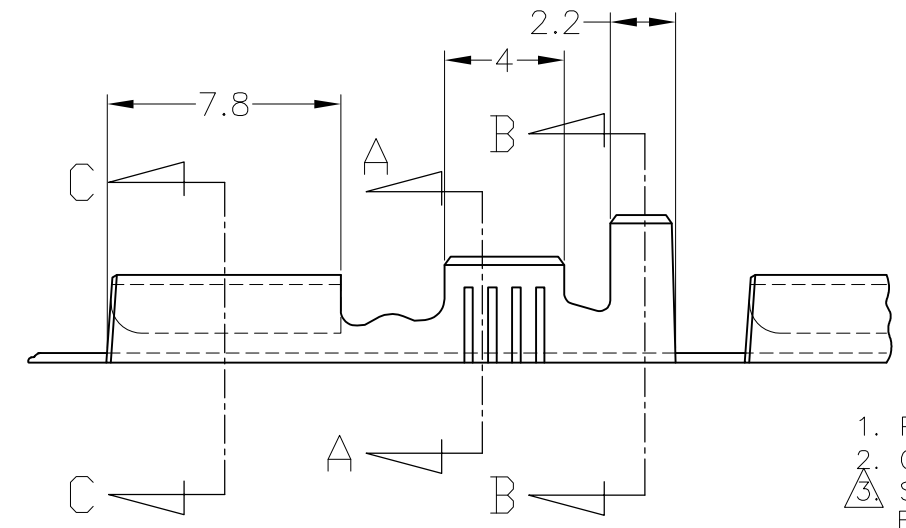
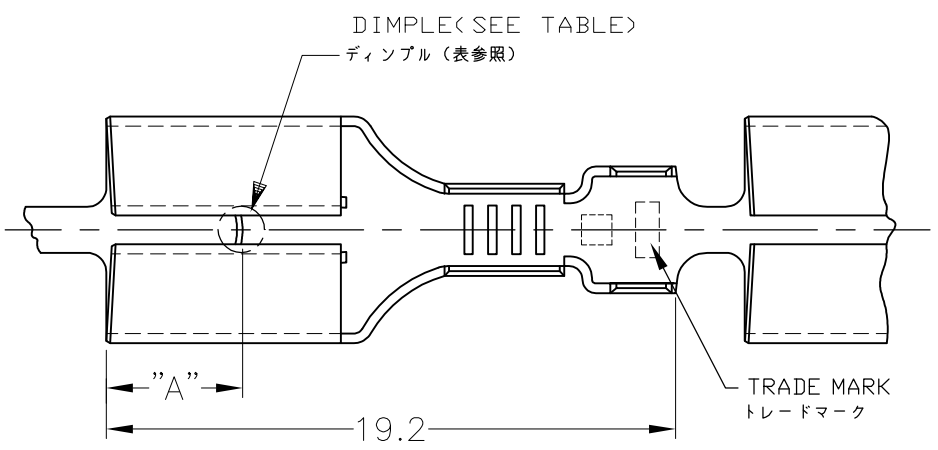


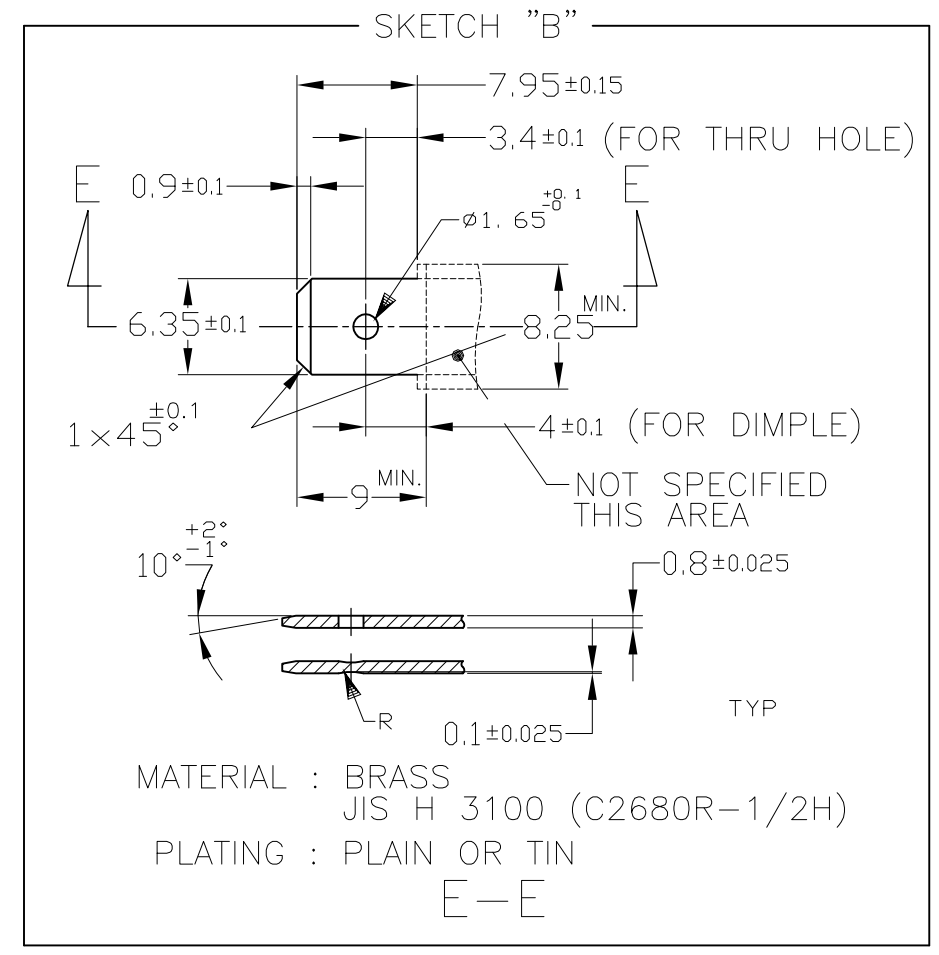
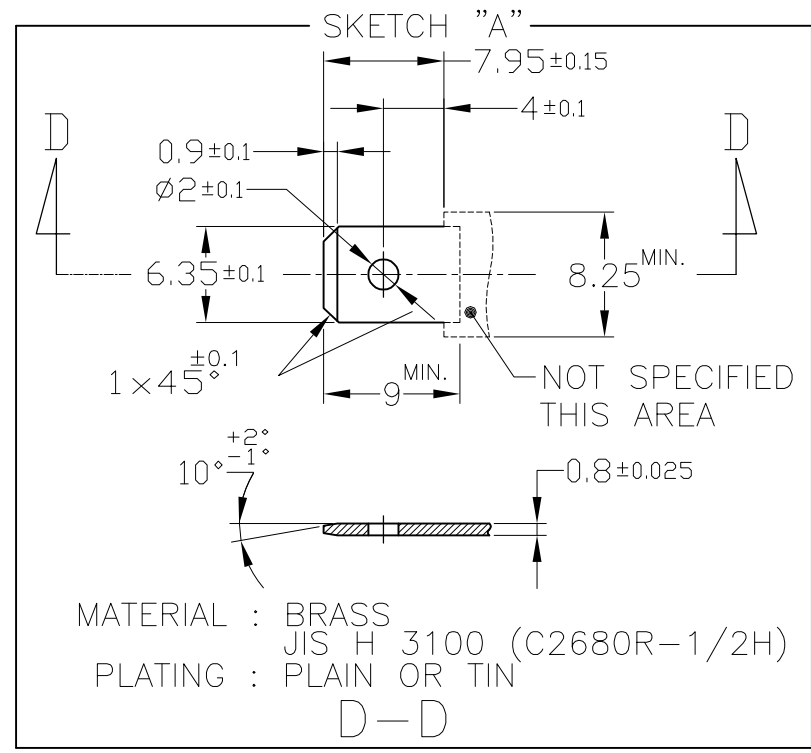
THIS DRAWING IS UNPUBLISHED. RELEASED FOR PUBLICATION
 © COPYRIGHT 2004 By - ALL RIGHTS RESERVED.

LOC	DIST	REVISIONS					
		P	LTR	DESCRIPTION	DATE	DWN	APVD
J	-		U2	REVISED PER ECR-15-013317	11MAR11	L.P	T.D
			U3	REVISED PER ECR-16-015552	3NOV2016	D.L	T.D



この寸法は嵌合力によって管理する。
 THIS DIMENSION IS CONTROLLED WITH MATING FORCE.

推奨タブ図
 RECOMMENDED TAB DIMENSIONS



- PRODUCT SPEC : 108-5153, 108-5169
- CRIMP SPEC : 114-5052
- STRESS RELIEVING FINISH IS SUBJECT TO CHANGE BY THE TYPE OF STRESS RELIVING PROCESS
 INERT GAS FURNACE - - - -MATTE
 ATMOSPHERIC FURNACE FOLLOWED BY ACID PICKLE - - - -BRIGHT
- ELIMINATION STRESS RELIVING PROCESS
- PRODUCT SPECIFICATION: 108-5147
- QUALIFICATION TEST REPORT: 501-5050

OBSELETE	AMP AUSTRALIAN PRODUCT アンプ オーストラリア製
----------	--

△ SEPARATE PAPER TYPE

- 製品規格 : 108-5153, 108-5169
- 取付適用規格 : 114-5052
- ストレス除去処理
処理方法により外観が変わります。
不活性ガス加熱方式 - - - 無光沢
大気加熱方式 - - - 光沢
- ストレス除去処理をしない。
- 製品規格 : 108-5147
- 認定試験報告書 : 501-5050

170030-1 OR EQUIVALENT TO 170030	W/O DIMPLE	---	BRASS	---	---	8-170032-7
170256-3 OR EQUIVALENT TO 170256	W/O DIMPLE	TIN PLATING	BRASS	---	179461-5	6-170032-5
170030-1 OR EQUIVALENT TO 170030	W/O DIMPLE	△	BRASS	---	---	6-170032-2
170030-3 OR EQUIVALENT TO 170030	W/O DIMPLE	TIN PLATING 錫メッキ	ZKLF-5 #4	---	---	170032-6
170256-3 OR EQUIVALENT TO 170256	W/O DIMPLE	TIN PLATING 錫メッキ	BRASS	---	179461-5	170032-5
SKETCH, "A"	WITH DIMPLE	TIN PLATING 錫メッキ	BRASS	4.5	---	170032-4
OBSELETE	SKETCH "A" OR "B"	WITH DIMPLE	BRASS	3.8	---	170032-3
170030-1 OR EQUIVALENT TO 170030	W/O DIMPLE	---	BRASS	---	---	170032-2
SKETCH, "A"	WITH DIMPLE	---	BRASS	4.5	---	170032-1
MATING TAB	DIMPLE	FINISH	MATERIAL	"A"	LOOSE PIECE NUMBER	PART NUMBER

THIS DRAWING IS A CONTROLLED DOCUMENT.

DWN A.YAMAGUCHI 23JUN04
 CHK K.BETSUI 19SEP2015
 APVD K.BETSUI 23JUN04

STE TE Connectivity

250 SERIES RECEPTACLE WITHOUT LATCH

NAME 名称
 PRODUCT SPEC 製品規格
 APPLICATION SPEC 取付適用規格

SEE NOTE

SIZE A3 CAGE CODE 00779 DRAWING NO. 170032 RESTRICTED TO

WIRE RANGE 0.5-2.27mm²(AWG20-14)
 INSULATION DIA. 2.16~3.43mmφ

MATERIAL 材料 0.32 THK
 FINISH 仕上 SEE TABLE △

WIRE RANGE 0.5-2.27mm²(AWG20-14)
 INSULATION DIA. 2.16~3.43mmφ

SCALE 尺度 4:1 SHEET 1 OF 1 REV U3

Mouser Electronics

Authorized Distributor

Click to View Pricing, Inventory, Delivery & Lifecycle Information:

[TE Connectivity:](#)

[170032-5 \(Cut Strip\)](#)