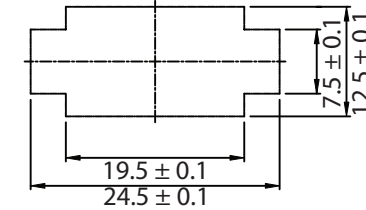
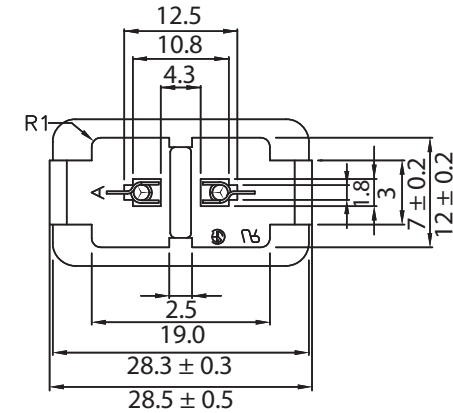
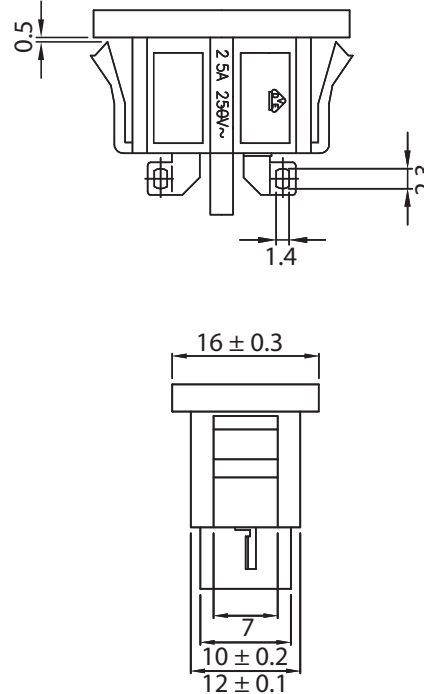
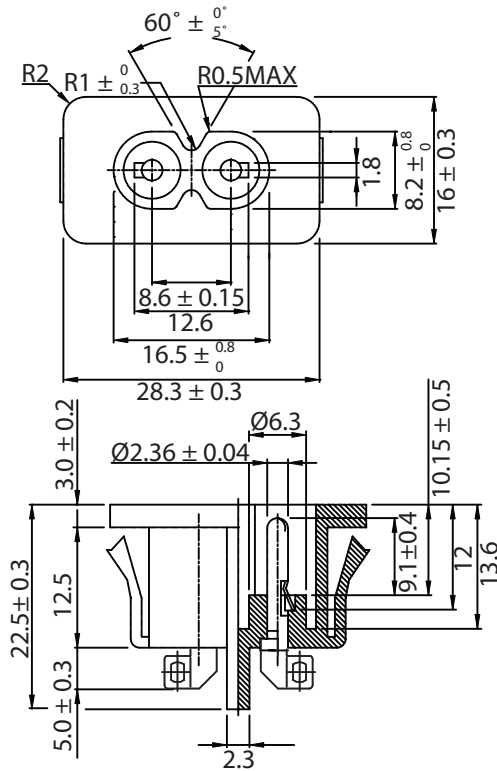


THESE DRAWINGS ARE THE PROPERTY OF QUALTEK ELECTRONICS AND NOT TO BE REPRODUCED FOR OR COMMUNICATED TO A THIRD PARTY WITHOUT THE EXPRESS WRITTEN PERMISSION OF AN OFFICER OF QUALTEK ELECTRONICS.

REVISION			
REV.	DESCRIPTION	DATE	APPROVED
A	Panel Thickness 0.8~1.1	01-28-03	BZ
B	Panel Thickness 0.6~2.0	07-15-03	LG
C	Panel Thickness 0.6~1.5	10-30-03	LG
D	RoHS Compliancy	06-01-06	DP
E	Dimensions Update	09-14-07	DP
F	Updated Specifications	04-28-09	LY



PANEL CUTOUT

NOTES:

RATING: 2.5A 250V AC  
 APPROVALS: UL,CSA,VDE,CCC  
 PANEL THICKNESS: 0.6~1.5mm  
 RoHS COMPLIANT

**CONTROLLED**

Dim range (mm)	Tolerance +/- (mm)	Qualtek Electronics Corp. PPC DIVISION		
		Part Number: 771W-X2/01	RoHS Compliant	
0-1	0.15	Description: AC RECEPTACLE		
1-6	0.20			
6-18	0.30			
18-50	0.50			
50-120	0.70	UNIT: mm	REV. F	
120-250	0.90	Drawn / Date	Checked / Date	Approved / Date
250-500	1.20	B.Zhang 03-10-04	03-10-04	JJH / 03-10-04

# Mouser Electronics

Authorized Distributor

Click to View Pricing, Inventory, Delivery & Lifecycle Information:

[Qualtek:](#)

[771W-X2/01](#)