

ISL9113ERxZ-EVZ

Evaluation Board

AN1816  
Rev 1.00  
Oct 26, 2016

**Description**

The [ISL9113](#) provides a power supply solution for devices powered by 3-cell alkaline, NiCd, NiMH, or 1-cell Li-Ion/Li-Polymer batteries. It uses Intersil's proprietary boost algorithm to maintain voltage regulation when the input voltage is very low.

**Specifications**

The boards are designed to operate at the following operating conditions:

- Input voltage rating from 0.8V to 4.7V
- Fixed 5V nominal output voltage on the ISL9113ER7Z-EVZ
- Adjustable output voltage on the ISL9113ERAZ-EVZ
- Up to 500mA output current ( $V_{BAT} = 3V, V_{OUT} = 5V$ )
- 1.8MHz switching frequency
- Operating temperature range:  $-20^{\circ}C$  to  $+85^{\circ}C$

**Key Features**

- Small, compact design
- Jumper selectable EN (enabled/disabled)
- On-board LED fault indication (for ISL9113ER7Z-EVZ)
- Connectors, test points, and jumpers for easy probing

**Related Literature**

- For a full list of related documents please visit our website - [ISL9113](#) product page

**Ordering Information**

PART NUMBER	DESCRIPTION
ISL9113ER7Z-EVZ	Evaluation Board for ISL9113ER7Z
ISL9113ERAZ-EVZ	Evaluation Board for ISL9113ERAZ

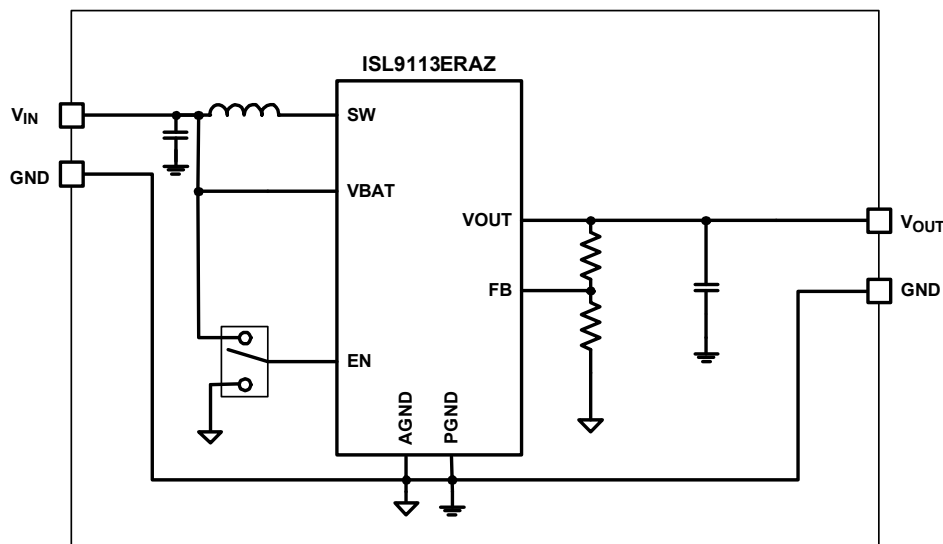


FIGURE 1. ISL9113ERAZ-EVZ BLOCK DIAGRAM

## Functional Description

The ISL9113ERAZ-EVZ and ISL9113ER7Z-EVZ provide simple platforms to evaluate the features of the ISL9113 boost regulator. The ISL9113ER7Z-EVZ is for the fixed 5V output ISL9113ER7Z IC and the ISL9113ERAZ-EVZ is for the adjustable output ISL9113ERAZ IC. The evaluation boards have been functionally optimized for best performance of the ISL9113 IC series. Input power and load connections are provided through multiple pin connectors for high current operations.

The evaluation board image is shown in [Figures 3 and 4](#) on [page 3](#). The same PCB is used for both ISL9113ERAZ-EVZ and ISL9113ER7Z-EVZ boards with different BOM's. The board's enable function is controlled by the on-board jumper header J2.

The schematic for the ISL9113ERAZ-EVZ is shown on [Figure 5 on page 4](#) and ISL9113ER7-EVZ is shown in [Figure 6 on page 4](#). The PCB layout images for all layers are shown in [Figures 7 and 8](#) on [page 6](#). The bill of materials of the ISL9113ERAZ-EVZ and ISL9113ER7Z-EVZ are shown in [Tables 1 and 2](#) on [page 5](#).

## Operating Range

The  $V_{IN}$  range of the boards is 0.8V to 4.7V. The  $I_{OUT}$  range of the boards is 0 to 500mA. The operating ambient temperature range is -20°C to +85°C.

## Recommended PCB Layout

Correct PCB layout is critical for proper operation of the ISL9113. The input and output capacitors should be positioned as closely to the IC as possible. The ground connections of the input and output capacitors should be kept as short as possible, and should be on the component layer to avoid problems that are caused by high switching currents flowing through PCB vias.

## Quick Start Guide

Refer to the following Quick Setup Guide to configure and power-up the board for proper operation. During the power-on process, the expected waveforms are shown in [Figure 2](#).

### Setup ISL9113ERA-EVZ

1. Install jumper on J2, shorting EN to VIN.
2. Connect a power supply to J1, with voltage setting between 0.8V and 4.7V.
3. Connect electronic load to J3.
4. Place scope probes on VOUT test point and other test points of interest.
5. Turn on the power supply.
6. Monitor the output voltage start-up sequence on the scope. The waveforms will look similar to that shown in [Figure 2](#).
7. Turn on the electronic load.
8. Measure the output voltage with the voltmeter. The voltage should regulate within datasheet specification limits.

### Additional Step for ISL9113ER7Z-EVZ Setup

1. Follow Steps 1 through 8 for the ISL9113ERAZ-EVZ setup.
2. Create a fault condition as described in "FAULT DETECTION AND RESPONSE" table of the [ISL9113](#) datasheet. The LED should be ON when a fault condition occurs.

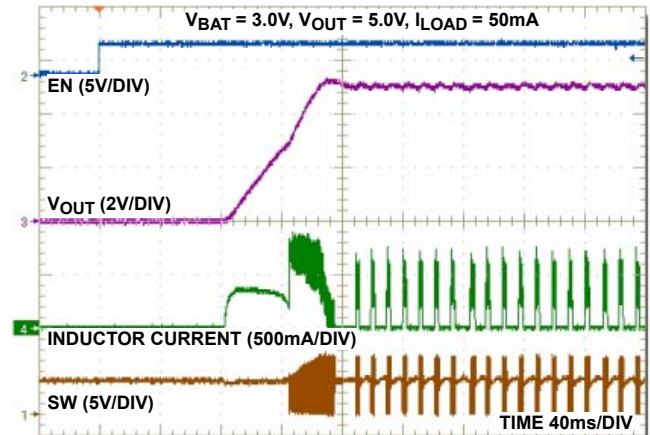


FIGURE 2. START-UP WITH  $V_{IN} = 3V$  AND  $V_{OUT} = 5V$ , 50mA LOAD

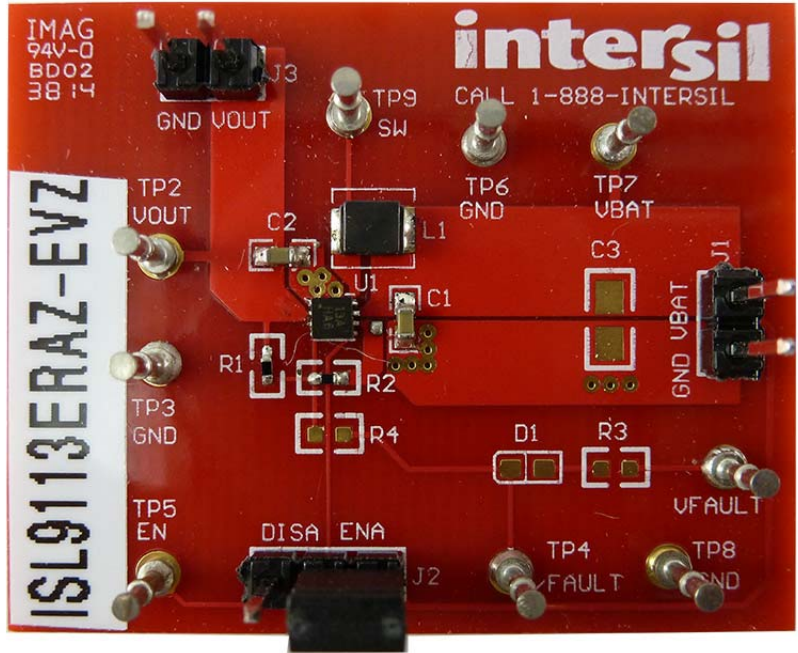


FIGURE 3. ISL9113ERAZ-EVZ BOARD TOP VIEW

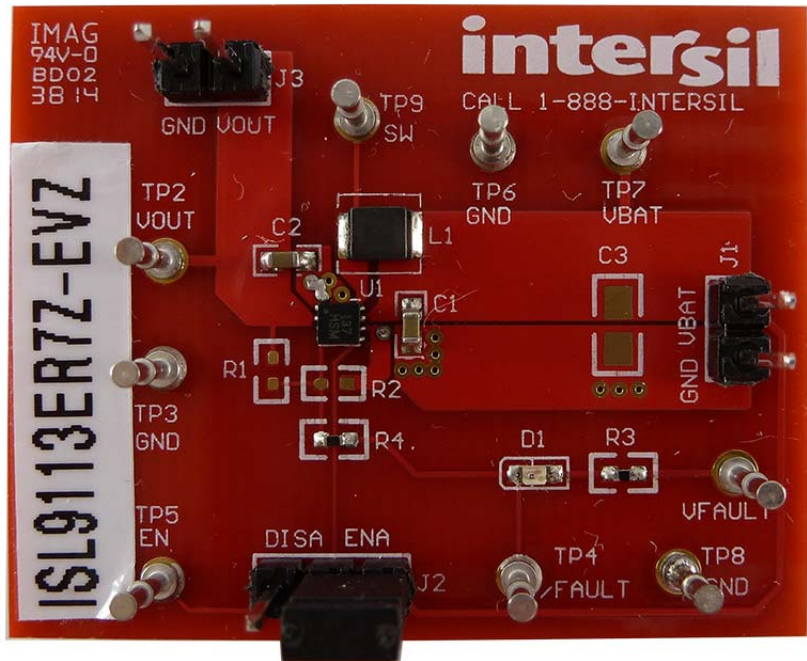


FIGURE 4. ISL9113ER7Z-EVZ BOARD TOP VIEW

# ISL9113ERAZ-EVZ, ISL9113ER7Z-EVZ Schematics

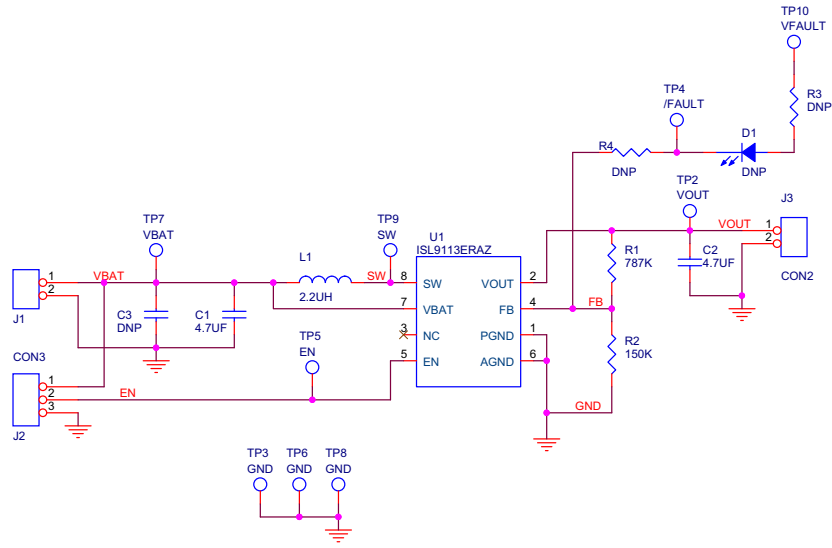


FIGURE 5. ISL9113ERAZ-EVZ EVALUATION BOARD SCHEMATIC

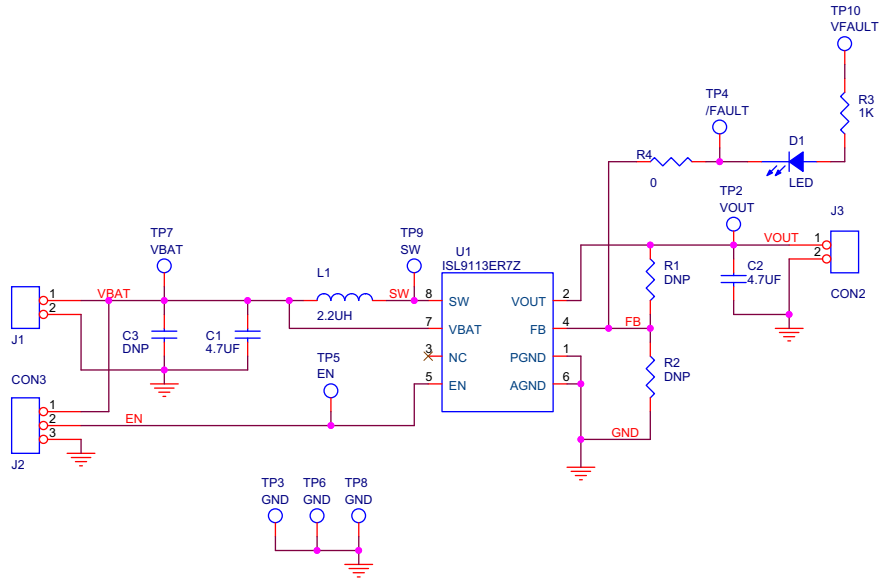


FIGURE 6. ISL9113ER7Z-EVZ EVALUATION BOARD SCHEMATIC

TABLE 1. ISL9113ERAZ-EVZ EVALUATION BOARD BILL OF MATERIALS

ITEM#	QTY	DESIGNATORS	VALUE	PART NUMBER	FOOTPRINT	DESCRIPTION	VENDORS
1	1	U1	-	ISL9113ERAZ	8LD 2x2mm DFN	Boost Regulator	Intersil
2	1	L1	2.2 $\mu$ H	LQH32PN2R2NNO	1210	Inductor, 1600mA, $\pm$ 30%	Murata
3	2	C1, C2	4.7 $\mu$ F	GRM188F51A475ZE20D	0603	Capacitor Ceramic, Y5V, 10V, $\pm$ 10%	Murata
4	1	C3	DNP				
5	2	R4	DNP				
6	1	R3	DNP				
7	1	D1	DNP				
8	1	R1	787k $\Omega$	CRCW0402787KFKTD	0402	Resistor, 1/16W, 1%	Vishay Dale
9	1	R2	150k $\Omega$	RC0402FR-07150KL	0402	Resistor, 1/16W, 1%	Yageo
10	9	TP2, TP3, TP4, TP5, TP6, TP7, TP8, TP9, TP10	Power Post			Connectors	Any
11	2	JP1, JP3	Jumper header		HDR-2		Any
12	1	JP2	Jumper header		HDR-3		Any

TABLE 2. ISL9113ER7Z-EVZ EVALUATION BOARD BILL OF MATERIALS

ITEM#	QTY	DESIGNATORS	VALUE	PART NUMBER	FOOTPRINT	DESCRIPTION	VENDORS
1	1	U1	-	ISL9113ER7Z	8L 2x2mm DFN	Boost Regulator	Intersil
2	1	L1	2.2 $\mu$ H	LQH32PN2R2NNO	1210	Inductor, 1600mA, $\pm$ 30%	Murata
3	2	C1, C2	4.7 $\mu$ F	GRM188F51A475ZE20D	0603	Capacitor Ceramic, Y5V, 10V, $\pm$ 10%	Murata
4	1	C3	DNP	-	0805		-
5	1	R3	1k $\Omega$	CR0603-16W-1001FT	0603	Resistor, Generic	Venkel
6	1	R4	0 $\Omega$	ERJ-2GE0R00X	0603	Resistor, Generic	Panasonic
7	1	D1	LED	160-1181-1-ND	0603	LED, RED, SMD	Lite-On
8	1	R1	DNP				
6	1	R2	DNP				
9	9	TP2, TP3, TP4, TP5, TP6, TP7, TP8, TP9, TP10	Power Post			Test point	Any
10	2	JP1, JP3	Jumper header		HDR-2	Connector	Any
11	1	JP2	Jumper header		HDR-3	Connector	Any

# PCB Layout

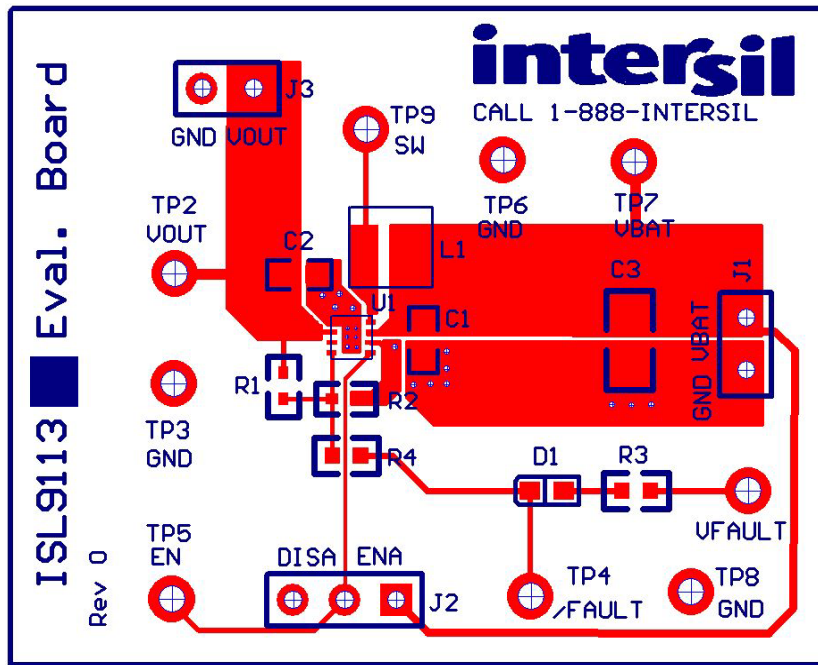


FIGURE 7. TOP LAYER

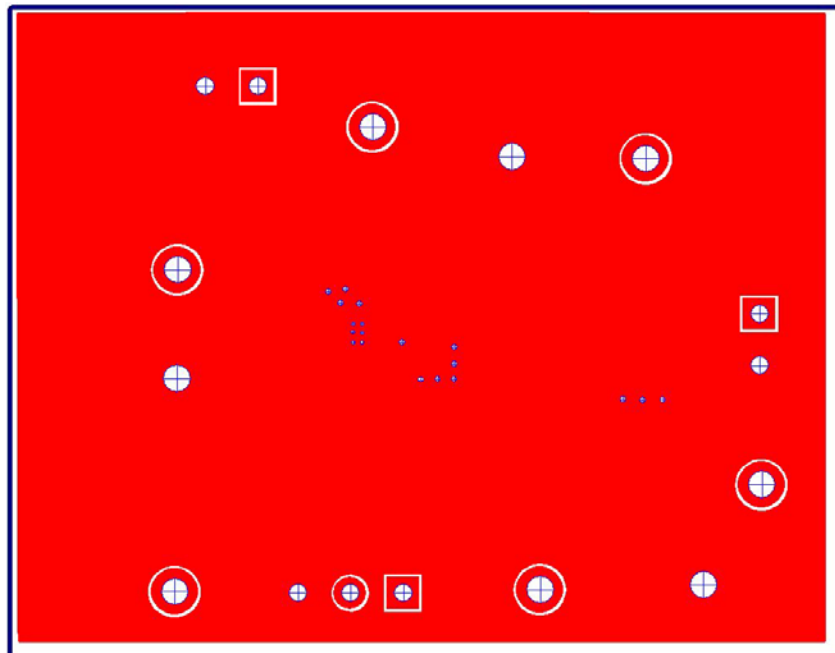


FIGURE 8. BOTTOM LAYER

# Typical Performance Curves

Unless otherwise noted, operating conditions are:  $T_A = +25^\circ\text{C}$ ,  $V_{IN} = EN = 3.6\text{V}$ ,

$L_1 = 2.2\mu\text{H}$ ,  $C_1 = 4.7\mu\text{F}$ ,  $C_2 = 4.7\mu\text{F}$ ,  $V_{OUT} = 5\text{V}$ ,  $I_{OUT} = 0\text{A}$  to  $1\text{A}$

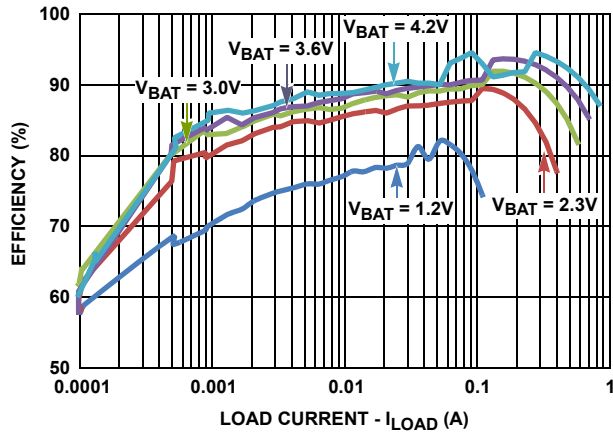


FIGURE 9. EFFICIENCY ( $V_{OUT} = 5\text{V}$ )

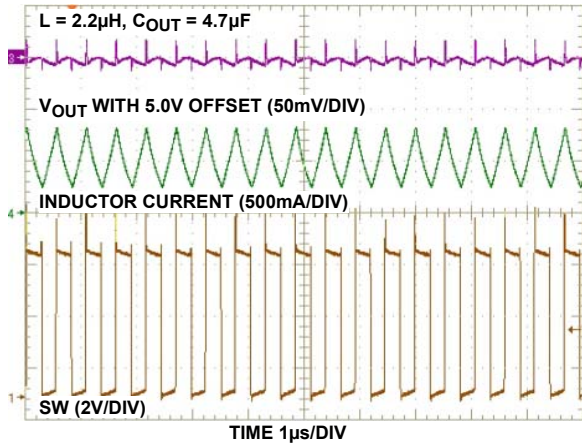


FIGURE 10. STEADY-STATE OPERATION IN PWM ( $V_{IN} = 3\text{V}$ ,  $V_{OUT} = 5\text{V}$ ,  $250\text{mA}$  LOAD)

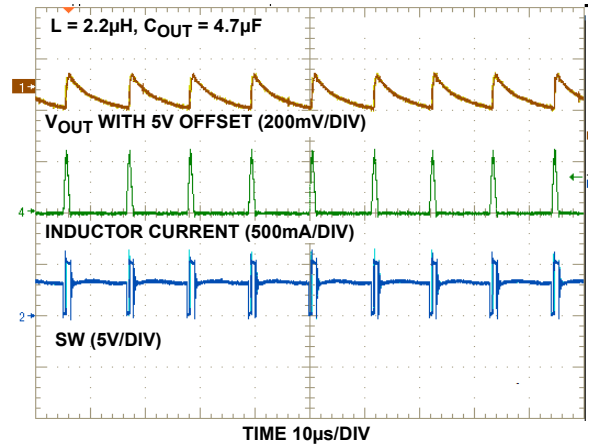


FIGURE 11. STEADY-STATE OPERATION IN PFM ( $V_{IN} = 3\text{V}$ ,  $V_{OUT} = 5\text{V}$ ,  $20\text{mA}$  LOAD)

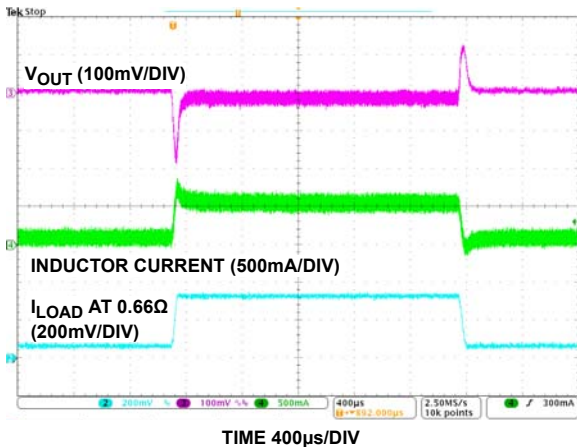


FIGURE 12. 100mA TO 500mA LOAD TRANSIENT ( $V_{IN} = 3.6\text{V}$ ,  $V_{OUT} = 5\text{V}$ )

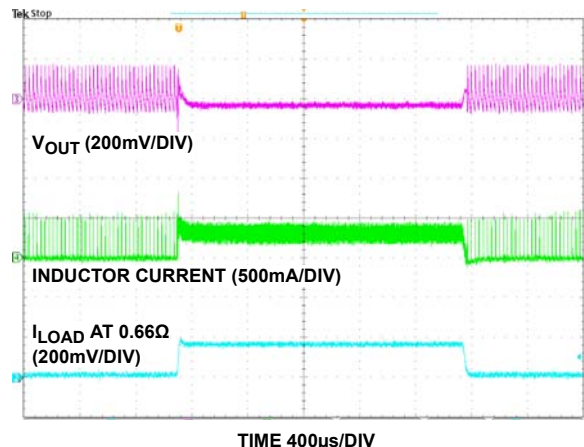


FIGURE 13. 20mA TO 250mA LOAD TRANSIENT ( $V_{IN} = 3.6\text{V}$ ,  $V_{OUT} = 5\text{V}$ )

## Notice

1. Descriptions of circuits, software and other related information in this document are provided only to illustrate the operation of semiconductor products and application examples. You are fully responsible for the incorporation or any other use of the circuits, software, and information in the design of your product or system. Renesas Electronics disclaims any and all liability for any losses and damages incurred by you or third parties arising from the use of these circuits, software, or information.
2. Renesas Electronics hereby expressly disclaims any warranties against and liability for infringement or any other claims involving patents, copyrights, or other intellectual property rights of third parties, by or arising from the use of Renesas Electronics products or technical information described in this document, including but not limited to, the product data, drawings, charts, programs, algorithms, and application examples.
3. No license, express, implied or otherwise, is granted hereby under any patents, copyrights or other intellectual property rights of Renesas Electronics or others.
4. You shall not alter, modify, copy, or reverse engineer any Renesas Electronics product, whether in whole or in part. Renesas Electronics disclaims any and all liability for any losses or damages incurred by you or third parties arising from such alteration, modification, copying or reverse engineering.
5. Renesas Electronics products are classified according to the following two quality grades: "Standard" and "High Quality". The intended applications for each Renesas Electronics product depends on the product's quality grade, as indicated below.  
"Standard": Computers; office equipment; communications equipment; test and measurement equipment; audio and visual equipment; home electronic appliances; machine tools; personal electronic equipment; industrial robots; etc.  
"High Quality": Transportation equipment (automobiles, trains, ships, etc.); traffic control (traffic lights); large-scale communication equipment; key financial terminal systems; safety control equipment; etc.  
Unless expressly designated as a high reliability product or a product for harsh environments in a Renesas Electronics data sheet or other Renesas Electronics document, Renesas Electronics products are not intended or authorized for use in products or systems that may pose a direct threat to human life or bodily injury (artificial life support devices or systems; surgical implantations; etc.), or may cause serious property damage (space system; undersea repeaters; nuclear power control systems; aircraft control systems; key plant systems; military equipment; etc.). Renesas Electronics disclaims any and all liability for any damages or losses incurred by you or any third parties arising from the use of any Renesas Electronics product that is inconsistent with any Renesas Electronics data sheet, user's manual or other Renesas Electronics document.
6. When using Renesas Electronics products, refer to the latest product information (data sheets, user's manuals, application notes, "General Notes for Handling and Using Semiconductor Devices" in the reliability handbook, etc.), and ensure that usage conditions are within the ranges specified by Renesas Electronics with respect to maximum ratings, operating power supply voltage range, heat dissipation characteristics, installation, etc. Renesas Electronics disclaims any and all liability for any malfunctions, failure or accident arising out of the use of Renesas Electronics products outside of such specified ranges.
7. Although Renesas Electronics endeavors to improve the quality and reliability of Renesas Electronics products, semiconductor products have specific characteristics, such as the occurrence of failure at a certain rate and malfunctions under certain use conditions. Unless designated as a high reliability product or a product for harsh environments in a Renesas Electronics data sheet or other Renesas Electronics document, Renesas Electronics products are not subject to radiation resistance design. You are responsible for implementing safety measures to guard against the possibility of bodily injury, injury or damage caused by fire, and/or danger to the public in the event of a failure or malfunction of Renesas Electronics products, such as safety design for hardware and software, including but not limited to redundancy, fire control and malfunction prevention, appropriate treatment for aging degradation or any other appropriate measures. Because the evaluation of microcomputer software alone is very difficult and impractical, you are responsible for evaluating the safety of the final products or systems manufactured by you.
8. Please contact a Renesas Electronics sales office for details as to environmental matters such as the environmental compatibility of each Renesas Electronics product. You are responsible for carefully and sufficiently investigating applicable laws and regulations that regulate the inclusion or use of controlled substances, including without limitation, the EU RoHS Directive, and using Renesas Electronics products in compliance with all these applicable laws and regulations. Renesas Electronics disclaims any and all liability for damages or losses occurring as a result of your noncompliance with applicable laws and regulations.
9. Renesas Electronics products and technologies shall not be used for or incorporated into any products or systems whose manufacture, use, or sale is prohibited under any applicable domestic or foreign laws or regulations. You shall comply with any applicable export control laws and regulations promulgated and administered by the governments of any countries asserting jurisdiction over the parties or transactions.
10. It is the responsibility of the buyer or distributor of Renesas Electronics products, or any other party who distributes, disposes of, or otherwise sells or transfers the product to a third party, to notify such third party in advance of the contents and conditions set forth in this document.
11. This document shall not be reprinted, reproduced or duplicated in any form, in whole or in part, without prior written consent of Renesas Electronics.
12. Please contact a Renesas Electronics sales office if you have any questions regarding the information contained in this document or Renesas Electronics products.  
(Note 1) "Renesas Electronics" as used in this document means Renesas Electronics Corporation and also includes its directly or indirectly controlled subsidiaries.  
(Note 2) "Renesas Electronics product(s)" means any product developed or manufactured by or for Renesas Electronics.

(Rev.4.0-1 November 2017)



### SALES OFFICES

Renesas Electronics Corporation

<http://www.renesas.com>

Refer to "<http://www.renesas.com/>" for the latest and detailed information.

**Renesas Electronics America Inc.**  
1001 Murphy Ranch Road, Milpitas, CA 95035, U.S.A.  
Tel: +1-408-432-8888, Fax: +1-408-434-5351

**Renesas Electronics Canada Limited**  
9251 Yonge Street, Suite 8309 Richmond Hill, Ontario Canada L4C 9T3  
Tel: +1-905-237-2004

**Renesas Electronics Europe Limited**  
Dukes Meadow, Millboard Road, Bourne End, Buckinghamshire, SL8 5FH, U.K.  
Tel: +44-1628-651-700, Fax: +44-1628-651-804

**Renesas Electronics Europe GmbH**  
Arcadiastrasse 10, 40472 Düsseldorf, Germany  
Tel: +49-211-6503-0, Fax: +49-211-6503-1327

**Renesas Electronics (China) Co., Ltd.**  
Room 1709 Quantum Plaza, No.27 ZhichunLu, Haidian District, Beijing, 100191 P. R. China  
Tel: +86-10-8235-1155, Fax: +86-10-8235-7679

**Renesas Electronics (Shanghai) Co., Ltd.**  
Unit 301, Tower A, Central Towers, 555 Langao Road, Putuo District, Shanghai, 200333 P. R. China  
Tel: +86-21-2226-0888, Fax: +86-21-2226-0999

**Renesas Electronics Hong Kong Limited**  
Unit 1601-1611, 16/F., Tower 2, Grand Century Place, 193 Prince Edward Road West, Mongkok, Kowloon, Hong Kong  
Tel: +852-2265-6688, Fax: +852-2886-9022

**Renesas Electronics Taiwan Co., Ltd.**  
13F, No. 363, Fu Shing North Road, Taipei 10543, Taiwan  
Tel: +886-2-8175-9600, Fax: +886-2-8175-9670

**Renesas Electronics Singapore Pte. Ltd.**  
80 Bendemeer Road, Unit #06-02 Hyflux Innovation Centre, Singapore 339949  
Tel: +65-6213-0200, Fax: +65-6213-0300

**Renesas Electronics Malaysia Sdn.Bhd.**  
Unit 1207, Block B, Menara Amcorp, Amcorp Trade Centre, No. 18, Jln Persiaran Barat, 46050 Petaling Jaya, Selangor Darul Ehsan, Malaysia  
Tel: +60-3-7955-9390, Fax: +60-3-7955-9510

**Renesas Electronics India Pvt. Ltd.**  
No.777C, 100 Feet Road, HAL 2nd Stage, Indiranagar, Bangalore 560 038, India  
Tel: +91-80-67208700, Fax: +91-80-67208777

**Renesas Electronics Korea Co., Ltd.**  
17F, KAMCO Yangjae Tower, 262, Gangnam-daero, Gangnam-gu, Seoul, 06265 Korea  
Tel: +82-2-558-3737, Fax: +82-2-558-5338



# Mouser Electronics

Authorized Distributor

Click to View Pricing, Inventory, Delivery & Lifecycle Information:

[Renesas Electronics:](#)

[ISL9113ER7Z-EVZ](#) [ISL9113ERAZ-EVZ](#)