

Amphenol Pcd

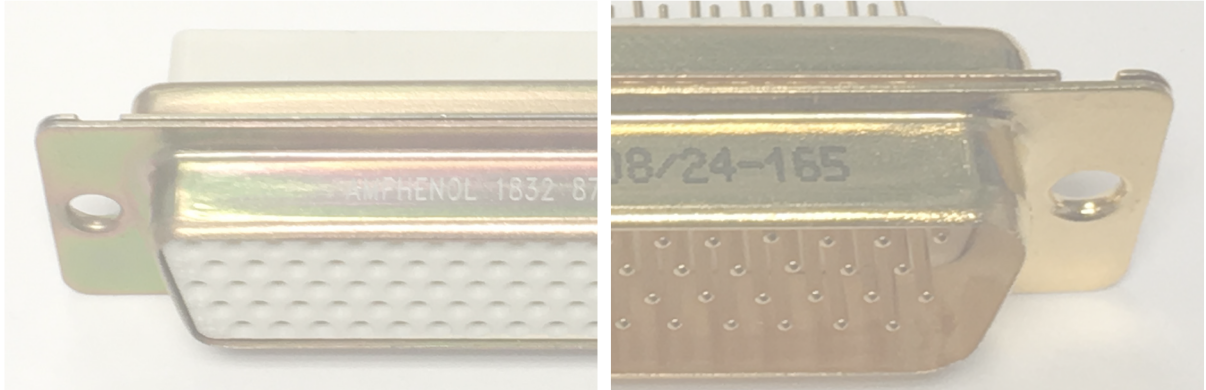


TABLE OF CONTENTS

Introduction	3
Typical Applications	3
Mil-DTL-24308 Connector Technical Specifications	3
Ordering Information	4
Assemblies	5
Insert Arrangements	6
Recommended PCB Layout	7-8
Contacts	9-10
Crimping	11
Floating Mounting Bushing Options	12
Tooling	12-13
Panel Cutout	14-15
Crimp: Receptacle	16-17
Crimp: Plug	18-19
Solder Cup: Receptacle	20
Solder Cup: Plug	21
Straight PC Tail: Receptacle	22-23
Straight PC Tail: Plug	24-25
Right Angle PC Tail: Receptacle	26-27
Right Angle PC Tail: Plug	28-29
PC Tail Application Data & Dimensions	30
APPROVED QPL LISTING	31-86
SPECIAL PRODUCTS	87
Standard Density Solder-Non Environmental: Plug & Receptacle	88-89
Standard Density Grommet-Crimp: Plug & Receptacle	90-91
Standard Density Straight PC Tail: Plug & Receptacle	92-99
High Density Straight PC Tail: Plug & Receptacle	100-103
Standard D-Sub Right Angle PC Tail: Plug & Receptacle	104-105
Standard D-Sub Right Angle PC Tail W/ Extra PC Tail Length: Plug & Receptacle	106-107
Right Angle PC Tail: Plug & Receptacle	108-111
Saver Type Connector	112-113
Strain Relief Backshell	114
Female Screw Lock Assembly	115
Male Screw Lock Assembly	116
Dust Cover: Plug & Receptacle	117
Gasket For D-Sub Connectors	118

INTRODUCTION

Description:

Qualified to MIL-DTL-24308, Amphenol's D-Sub connectors are sub-miniature rack & panel type connectors with polarized shells. They use pin & socket machined contacts that provide high reliability & density for the connectors. With its versatile design, these high-performance connectors are used in a variety of applications where weight & size are critical factors.

Available in multiple QPL's – M24308/1, /2, /3, /4, /5, /6, /7, /8, /23 & /24 - Amphenol's D-Sub connectors come in 5 standard shell sizes (9, 15, 25, 37, & 50) and have pin counts ranging from 9 to 104. There are various termination options – solder, crimp and PC Tail in both magnetic and non-magnetic options.

Typical Applications:

- Military
- C4I
- Missiles
- Commercial Aerospace
- Avionics
- In-Flight Entertainment

MIL-DTL-24308 Connector Technical Specifications

	Characteristics	Standard	High Density
Material	Shell	Steel/Brass	Steel/Brass
	Insulator*	Glass-Filled Polyester UL 94-0 (Natural Colour)	Glass-Filled Polyester UL 94-0 (Natural Colour)
	Contact	Copper Alloy	Copper Alloy
Finish	Shell	Cadmium/Zinc/Nickel/Zinc Nickel/Gold	Cadmium/Zinc/Nickel/Zinc Nickel/Gold
	Contact	Gold Plating	Gold Plating
Electrical	Contact Rating	7.5A Max.	5.0A Max.
	Test Voltage–Max	1000 Vrms	1000 Vrms
	Insulation Resistance	> 5000 M Ohm	> 5000 M Ohm
	Contact Resistance	7.3 m Ohm	12 m Ohm
Mechanical	Insertion/Removal Force	4 lb Max.	4 lb Max.
	Durability	500 Cycle	500 Cycle
	Wire Gauge	AWG 20-26	AWG 22-28
Environmental	Temperature	- 55°C to + 125°C	- 55°C to + 125°C
	Salt Spray	48 Hrs.	48 Hrs.
	Damp Heat	10 Days	10 Days

*For DAP insert please contact factory.

ORDERING INFORMATION

M24308	X	XX	X
Military Designation	Connector Type	Dash Number	Finish
		Refer to Approved QPL Listing table starting on pg. 31	

Connector Type

- 1 - Receptacle Solder Cup Connector
- 3 - Plug Solder Cup Connector
- 5 - Receptacle Solder Cup Connector (With Nonmagnetic Shell)
- 7 - Plug Solder Cup Connector (With Nonmagnetic Shell)

- 2 - Receptacle Crimp Type Connector
- 4 - Plug Crimp Type Connector
- 6 - Receptacle Crimp Type Connector (With Nonmagnetic Shell)
- 8 - Plug Crimp Type Connector (With Nonmagnetic Shell)

- 23 - Receptacle Straight/Right Angle PC Tail Connector
- 24 - Plug Straight/Right Angle PC Tail Connector

Finish

Class G (Magnetic)

- F - Cadmium Yellow Passivation
- Z - Zinc Yellow Passivation
- K - Zinc Nickel Black

Class N (Non-Magnetic)

- F - Cadmium Yellow Passivation
- Z - Zinc Yellow Passivation

Class D (Magnetic)

- None - Electroless Nickel

Class M (Non-Magnetic Space Application)

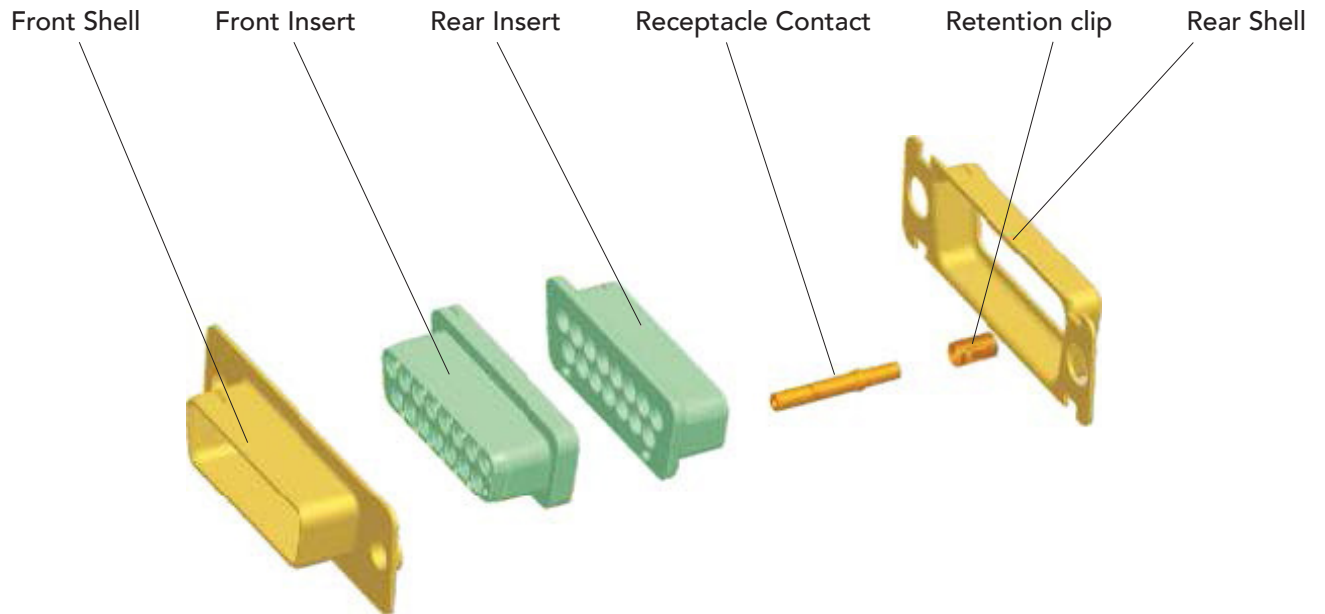
- None - Gold

Shell Size

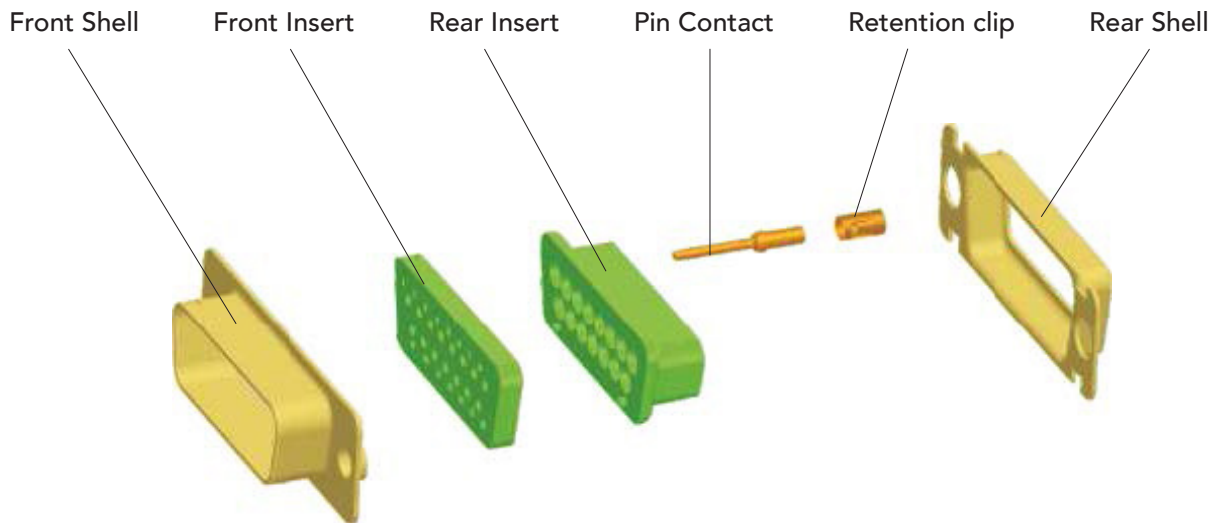
Shell Size	Insert Layout	
	Standard Density	High Density
1	09	15
2	15	26
3	25	44
4	37	62
5	50	78
6	-	104

ASSEMBLIES-CRIMP TYPE

Receptacle Assembly Exploded View



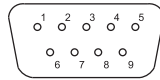
Plug Assembly Exploded View



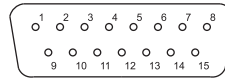
INSERT ARRANGEMENTS

Insert Arrangement for Standard D-Sub Connectors

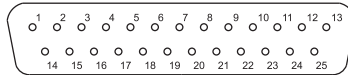
- Markings are shown from pin insert front. Socket inserts are opposite.



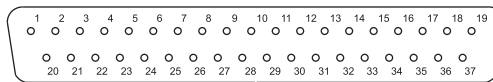
9 Positions



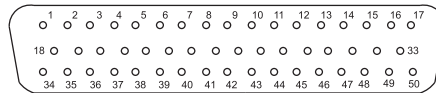
15 Positions



25 Positions



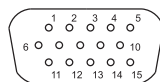
37 Positions



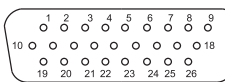
50 Positions

Insert Arrangement for High Density D-Sub Connectors

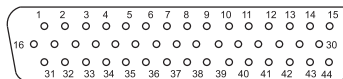
- Markings are shown from pin insert front. Socket inserts are opposite.



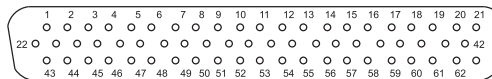
15 Positions



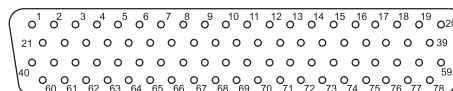
26 Positions



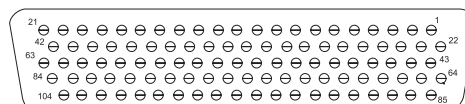
44 Positions



62 Positions



78 Positions

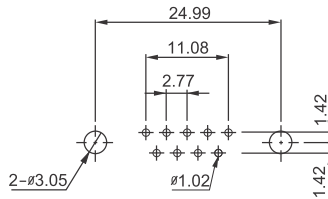


104 Positions

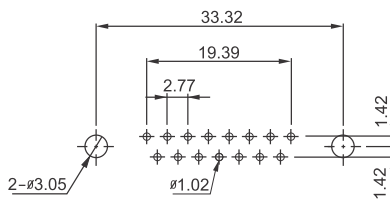
RECOMMENDED PCB LAYOUT

Standard D-Sub Connectors

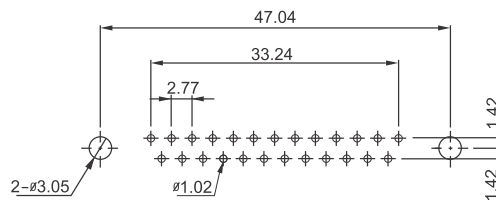
- Markings are shown from pin insert front. Socket inserts are opposite.



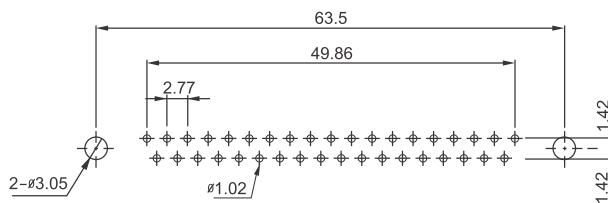
9 Positions



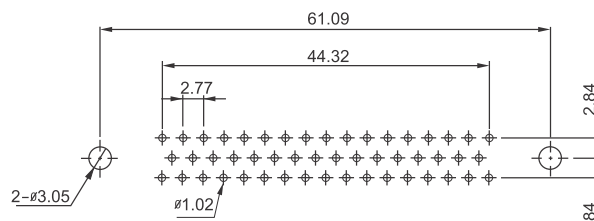
15 Positions



25 Positions



37 Positions

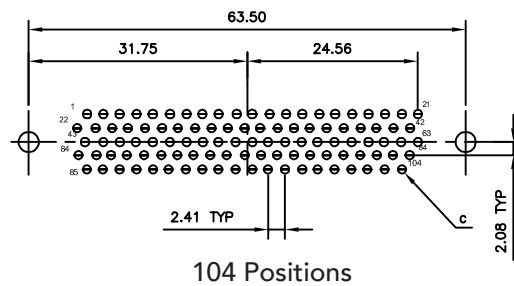
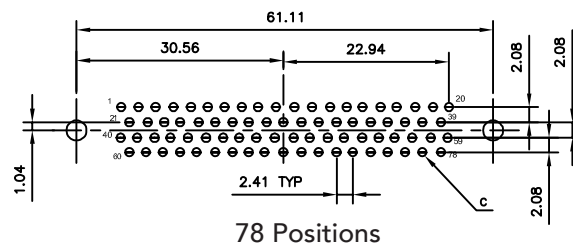
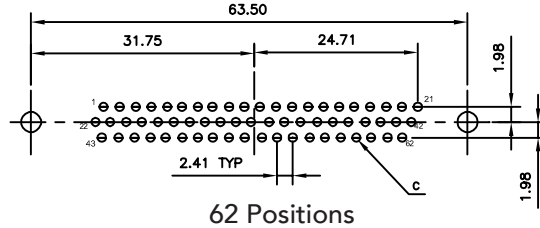
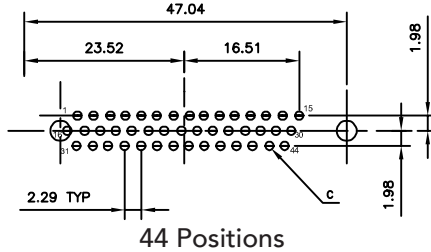
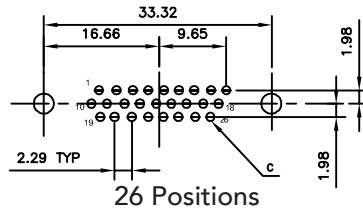
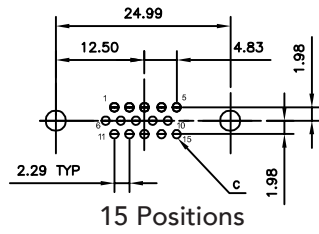


50 Positions

RECOMMENDED PCB LAYOUT

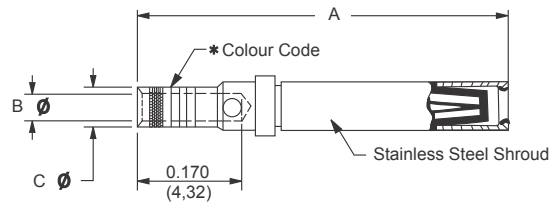
High Density D-Sub Connectors

- Markings are shown from pin insert front. Socket inserts are opposite.



STANDARD DENSITY D-SUB CONTACTS

Female Contact (Closed Entry) Design



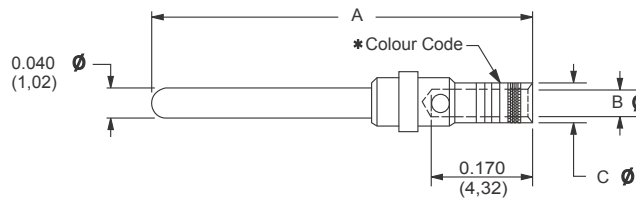
Part Number	Dimensions							
	Wire Size		A		B		C	
	AWG	mm ²	inches	mm	inches	mm	inches	mm
M2000-107687	20, 22, 24	0.5, 0.3, 0.25	0.538	13.67	0.044	1.12	0.066	1.68
M2000-109979	26, 28, 30	0.12, 0.08, 0.05	0.538	13.67	0.027	0.69	0.066	1.68
M39029/63-368	20, 22, 24	0.5, 0.3, 0.25	0.538	13.67	0.044	1.12	0.066	1.68

Material: Copper Alloy

Plating: Gold flash over nickel or 0.000050 inch (1.25) gold over copper for military specification contacts

Color Code: Orange/Blue/Grey for military specification contacts

Male Contact



Part Number	Dimensions							
	Wire Size Awg (mm ²)		A		B		C	
	AWG	mm ²	inches	mm	inches	mm	inches	mm
M2000-107688	20, 22, 24	0.5, 0.3, 0.25	0.550	13.97	0.044	1.12	0.066	1.68
M2000-109980	26, 28, 30	0.12, 0.08, 0.5	0.550	13.97	0.027	0.69	0.066	1.68
M39029/64-369	20, 22, 24	0.5, 0.3, 0.25	0.550	13.97	0.044	1.12	0.066	1.68

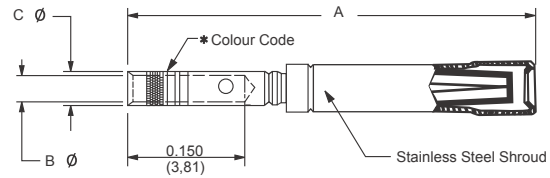
Material: Brass

Plating: Gold flash over nickel or 0.000050 inch (1.25) gold over copper for military specification contacts

Color Code: Orange/Blue/White for military specification contacts

HIGH DENSITY D-SUB CONTACTS

Female Contact



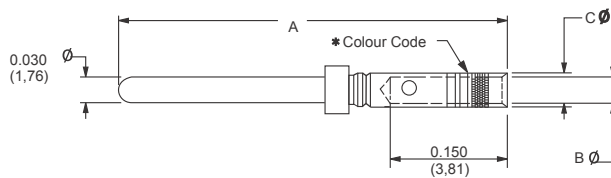
Dimensions								
Part Number	Wire Size		A		B		C	
	AWG	mm ²	inches	mm	inches	mm	inches	mm
M2000-107294	22, 24, 26, 28	0.3, 0.25, 0.12, 0.08	0.518	13.16	0.035	0.89	0.047	1.19
M39029/57-354	22, 24, 26, 28	0.3, 0.25, 0.12, .008	0.518	13.16	0.035	0.89	0.047	1.19

Material: Copper Alloy

Plating: Gold flash over nickel or 0.000050 inch (1.25) gold over copper for military specification contacts

Color Code: Orange/Green/Yellow for military specification contacts

Male Contact



Dimensions								
Part Number	Wire Size		A		B		C	
	AWG	mm ²	inches	mm	inches	mm	inches	mm
M2000-105794	22, 24, 26, 28	0.3, 0.25, 0.12, .008	0.531	13.49	0.035	0.89	0.047	1.19
M39029/58-360	22, 24, 26, 28	0.3, 0.25, 0.12, .008	0.531	13.49	0.035	0.89	0.047	1.19

Material: Copper Alloy

Plating: Gold flash over nickel or 0.000050 inch (1.25) gold over copper for military specification contacts

Color Code: Orange/Blue/Black for military specification contacts

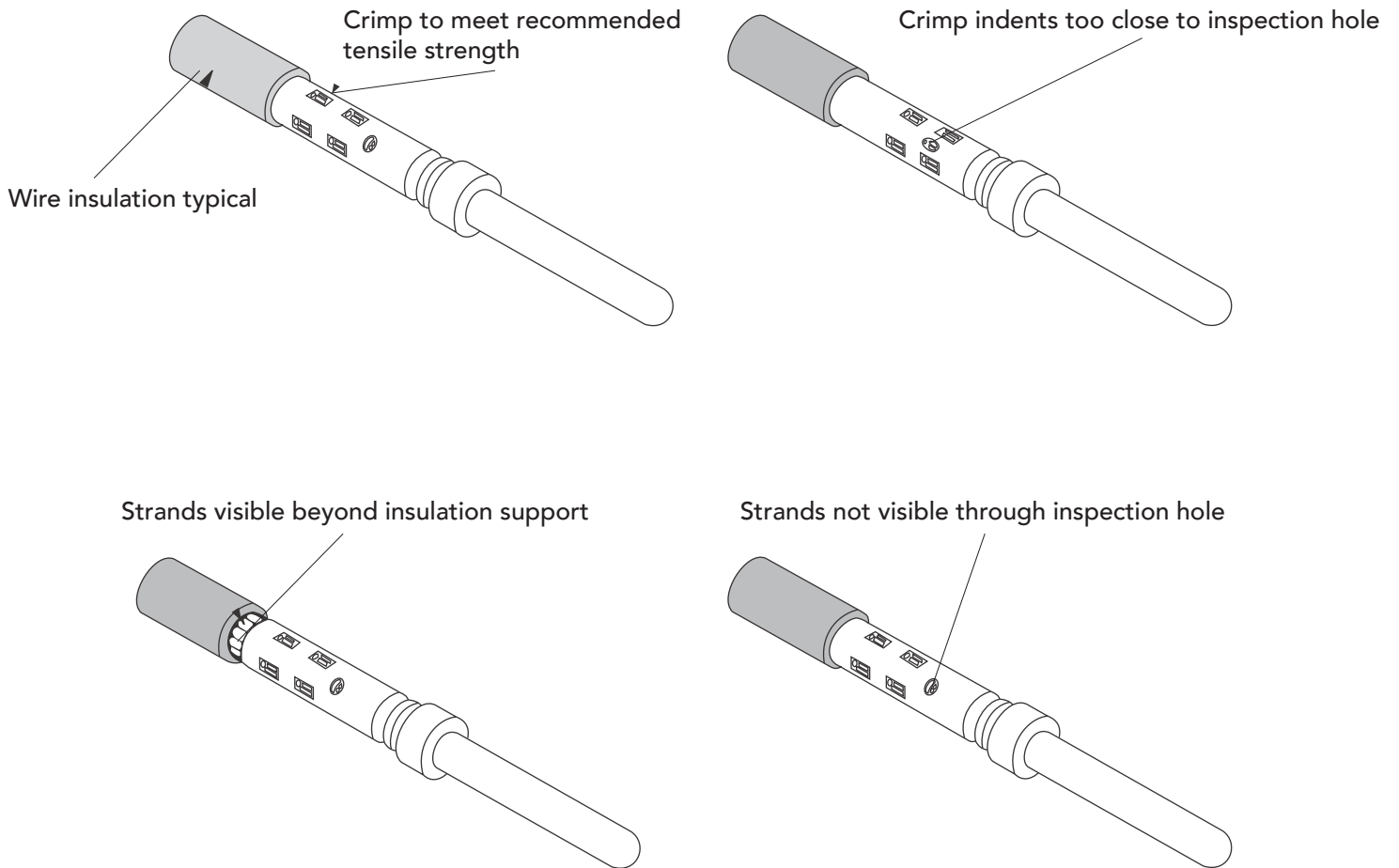
CRIMPING

For all tools:

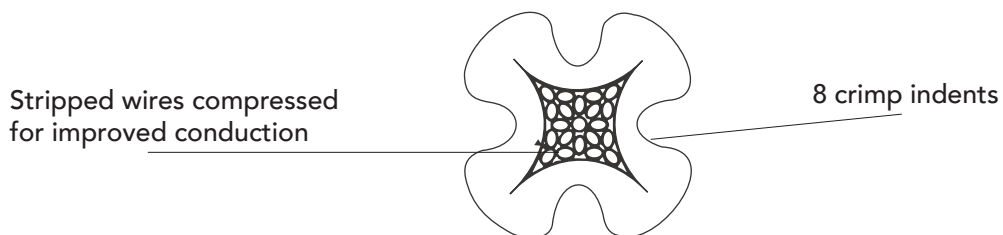
- Strands to be visible through the inspection hole
- Strands not to be visible beyond the insulation support
- Check for peeled gold and bent contact

Correctly Crimped Contact

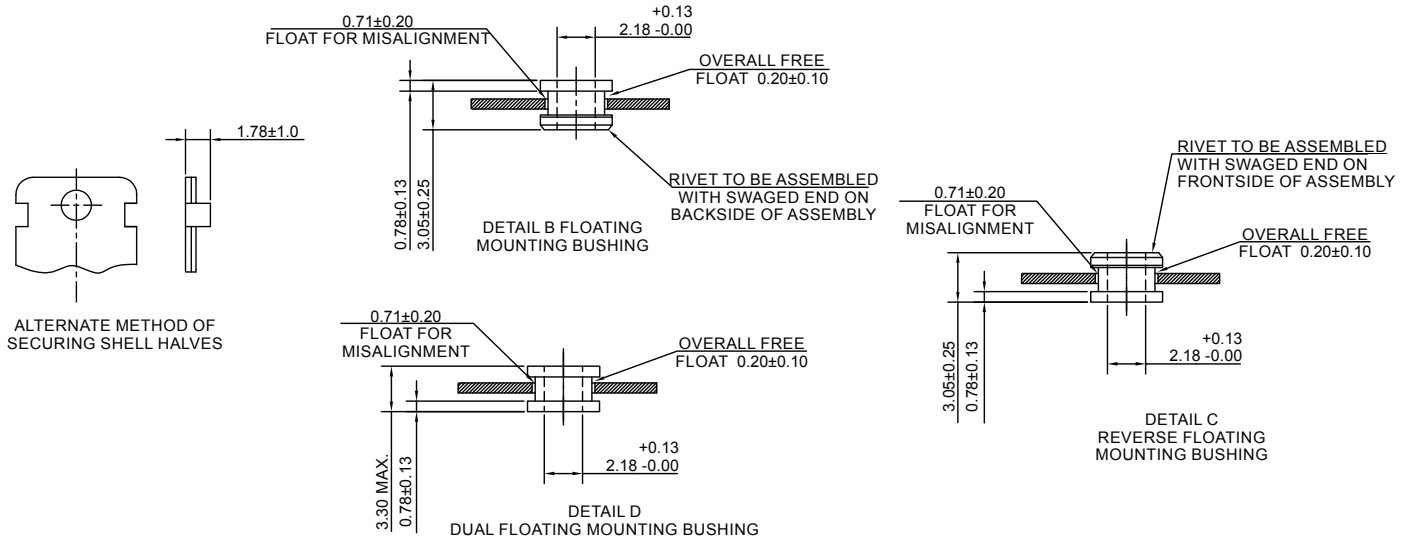
- Amphenol recommended tools for Standard/High Density Series Contact



Cross Section of Correctly Crimped Contact



FLOATING MOUNTAIN BUSHING OPTIONS



STANDARD D-SUB TOOLING

Miniature step adjustable tool (M22520/2-01)
Part No. M2000-CRT



This miniature 8 step adjustable hand crimping tool produces an 8 indent crimp configuration and will crimp wire sizes 18 AWG (1.0mm²) through 32 AWG (0.3mm²). To crimp wire size 18 AWG (1.0mm²), order contact positioner K13-1. To crimp wire size AWG (0.5mm²) through 30 AWG (0.05mm²) order contact positioner K-13-1. Each positioner is equipped with a data plate which gives the correct crimp-depth setting for each wire size and must be used with M22520/2-01 tool frame for best results when crimping M2000 (M24308) Series contacts.

Insertion/Removal Tool

M81969/39-01
(M2000-107689)



One end of this tool is used to insert contacts into M2000 (M24308) Series connectors. The other end is used to extract contacts. This is accomplished by sliding the extraction tip down the wire into the connector until it bottoms against the contacts. A slight rotation while pushing will release the contacts, which are then extracted by simultaneously pulling on the wire.

HIGH DENSITY D-SUB TOOLING

Miniature step adjustable tool (M22520/2-01)
Part No. M2000-CRT



This miniature step adjustable hand crimping tool produces an 8 indent crimp configuration and will crimp wire sizes 20 AWG (0.5mm²) through 32 AWG (0.3mm²). To crimp female contacts, order contact positioner K41. To crimp male contacts, order contact positioner K42. Each positioner is equipped with a data plate which gives the correct crimp-depth setting for each wire size and must be used with M22520/2-01 tool frame for best results when crimping M2000 (M24308) Series contacts.

Insertion/Removal Tool

(M81969/14-01)
(M2000-105786)

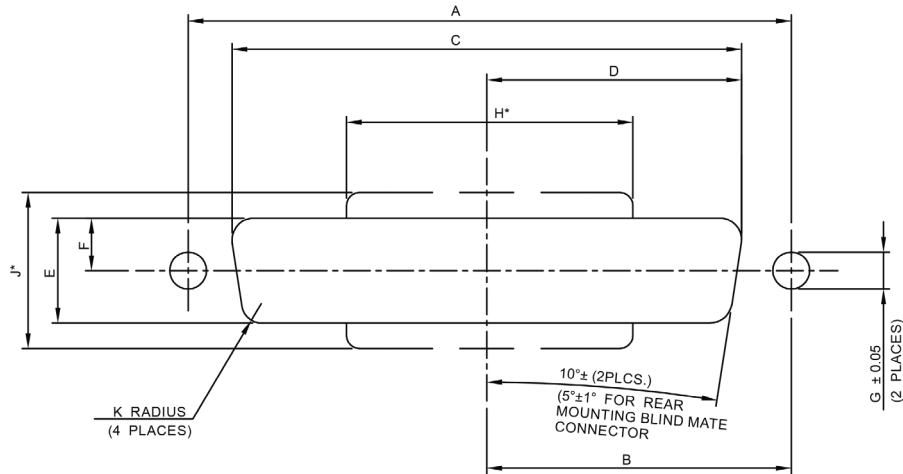


One end of this tool is used to insert contacts into M2000 (M24308) Series connectors. The other end is used to extract contacts. This is accomplished by sliding the extraction tip down the wire into the connector until it bottoms against the contacts. A slight rotation while pushing will release the contacts, which are then extracted by simultaneously pulling on the wire.

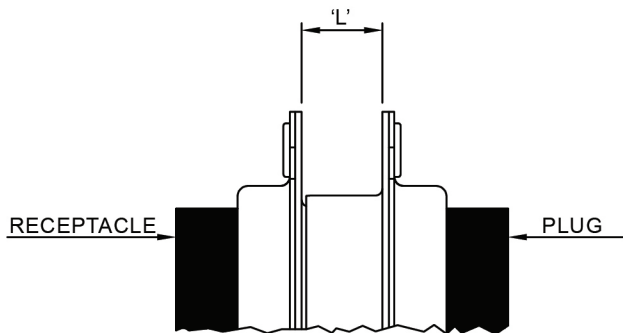
PANEL CUTOUT

Description:

D-Sub connectors are designed for rack and panel applications. Before making the panel cutout, determine the number of pins in the connector and whether the connector has a floating bushing, then using the clearance dimensions provided in figure below, determine whether you are going to front or back mount the connector. Now make a cutout in the panel using the dimension shown in the dimension table.



- Panel cutout configuration with these dimensions provides clearance for mounting connectors with cable clamp assemblies.
- When front mounting MIL-DTL-24308 connector using the tab method of securing shell halves, it is recommended to use a 0.81mm thick washer (not supplied) to prevent deformation of the connector flange.



Shell Size	Dimensions L	
	Inches	mm
1	.250-.280	6.35-7.11
2		
3	.241-.271	6.12-6.88
4		
5		
6		

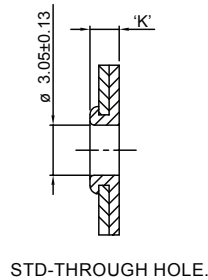
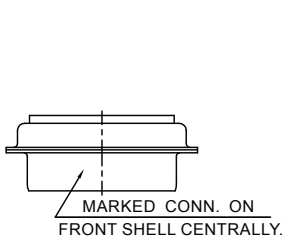
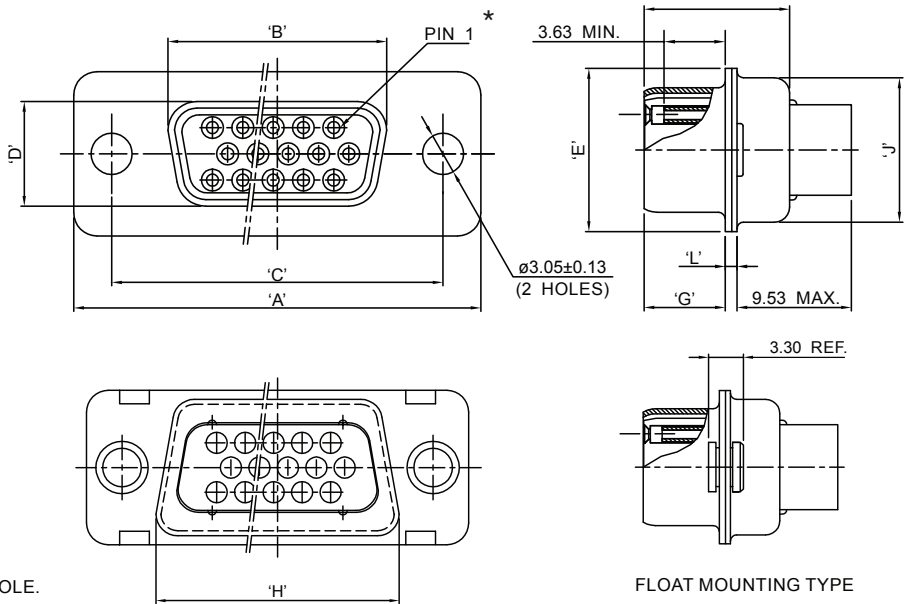
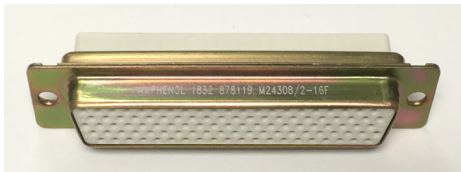
- The 'L' dimension is necessary for full mating of connector halves (flange). This dimension must be taken into consideration when determining the method of mounting, panel thickness etc.

PANEL CUTOUT

Dimensions (mm/in)														
Shell Size	Standard Density Contacts	High Density Contacts	Mounting		A	B	C	D	E	F	G	H	J	K
			Front/Rear	Floating Bushing										
1	09	15	Front	With	24.99 (0.984)	12.50 (0.492)	23.01 (.906)	11.51 (.453)	13.84 (.545)	6.93 (.273)	2.24 (.088)	-	-	2.11 (0.038)
				Without			22.20 (.874)	11.10 (.437)	13.03 (.513)	6.53 (.257)	3.05 (.120)	-	-	
			Rear	With			21.29 (.838)	10.64 (.419)	12.22 (.481)	6.12 (.241)	2.24 (.088)	8.43 (.332)	16.81 (.662)	3.35 (.132)
				Without			20.47 (.806)	10.24 (.403)	11.40 (.449)	5.72 (.225)	3.05 (.120)	7.62 (.033)	16.00 (.630)	
2	15	26	Front	With	33.32 (1.312)	16.66 (0.656)	31.34 (1.234)	15.67 (.617)	13.84 (.545)	6.93 (.273)	2.24 (.088)	-	-	2.11 (0.083)
				Without			30.53 (1.202)	15.27 (.601)	13.03 (.513)	6.53 (.257)	3.05 (.120)	-	-	
			Rear	With			29.62 (1.166)	14.81 (.583)	12.22 (.481)	6.12 (.241)	2.24 (.088)	16.89 (.665)	16.81 (.662)	3.35 (.132)
				Without			28.80 (1.134)	14.40 (.567)	11.40 (.449)	5.72 (.225)	3.05 (.120)	15.82 (.623)	16.00 (.630)	
3	25	44	Front	With	47.04 (1.842)	23.52 (0.926)	45.09 (1.775)	22.55 (.888)	13.84 (.545)	6.93 (.273)	2.24 (.088)	-	-	2.11 (0.083)
				Without			44.27 (1.743)	22.15 (.872)	13.03 (.513)	6.53 (.257)	3.05 (.120)	-	-	
			Rear	With			43.33 (1.706)	21.67 (.853)	12.22 (.481)	6.12 (.241)	2.24 (.088)	30.04 (1.197)	16.81 (.662)	3.35 (.132)
				Without			42.52 (1.674)	21.26 (.837)	11.40 (.449)	5.72 (.225)	3.05 (.120)	29.59 (1.165)	16.00 (.630)	
4	37	62	Front	With	63.50 (2.500)	31.75 (1.250)	61.17 (2.423)	30.78 (1.212)	13.84 (.545)	6.93 (.273)	2.24 (.088)	-	-	2.11 (0.083)
				Without			60.73 (2.391)	30.38 (1.196)	13.03 (.513)	6.53 (.257)	3.05 (.120)	-	-	
			Rear	With			59.79 (2.354)	29.90 (1.777)	12.22 (.481)	6.12 (.241)	2.24 (.088)	46.86 (1.845)	16.81 (.662)	3.35 (.132)
				Without			59.08 (2.326)	29.54 (1.163)	11.40 (.449)	5.72 (.225)	3.05 (.120)	46.05 (1.813)	16.00 (.630)	
5	50	78	Front	With	61.11 (2.406)	30.56 (1.203)	59.16 (2.326)	29.59 (1.165)	16.64 (.655)	8.33 (.328)	2.24 (.088)	-	-	2.11 (0.083)
				Without			58.34 (2.297)	29.18 (1.149)	15.82 (.623)	7.92 (.312)	3.05 (.120)	-	-	
			Rear	With			57.15 (2.250)	28.58 (1.125)	14.91 (.587)	7.47 (.294)	2.24 (.088)	44.20 (1.740)	19.61 (.772)	3.35 (.132)
				Without			56.34 (2.218)	28.17 (1.109)	14.10 (.555)	7.06 (.278)	3.05 (.120)	43.38 (1.708)	18.80 (.740)	
6	-	104	Front	With	63.50 (2.500)	31.75 (1.205)	62.31 (2.453)	31.17 (1.227)	18.21 (.717)	9.12 (.359)	2.24 (.088)	-	-	2.11 (0.083)
				Without			61.49 (2.421)	30.76 (1.211)	17.40 (.685)	8.71 (.343)	3.05 (.120)	-	-	
			Rear	With			60.66 (2.388)	30.33 (1.194)	16.61 (.654)	8.31 (.327)	2.24 (.088)	47.64 (1.875)	21.21 (.835)	3.35 (.132)
				Without			59.84 (2.356)	29.92 (1.179)	15.79 (.622)	7.90 (.311)	3.05 (.120)	46.81 (1.843)	20.40 (.803)	

STANDARD DENSITY CRIMP-RECEPTACLE

M24308	/2	284	F
Military Designation	Connector Type	Dash Number	Finish
	2 - Receptacle Crimp Type Connector 4 - Plug Crimp Type Connector 6 - Receptacle Crimp Type Connector (With Nonmagnetic Shell) 8 - Plug Crimp Type Connector (With Nonmagnetic Shell)	Refer to Approved QPL Listing table starting on pgs. 32-41/42-50	F - Cadmium Yellow Passivated Z - Zinc Yellow Passivated K - Zinc Nickel Black None- Nickel



STD-THROUGH HOLE.

3.30 REF.

MARKED CONN. ON FRONT SHELL CENTRALLY.

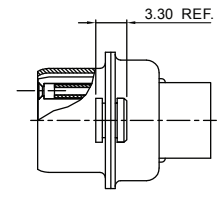
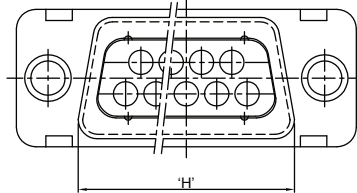
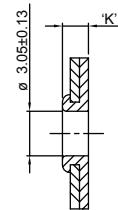
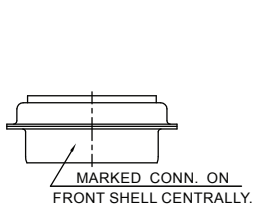
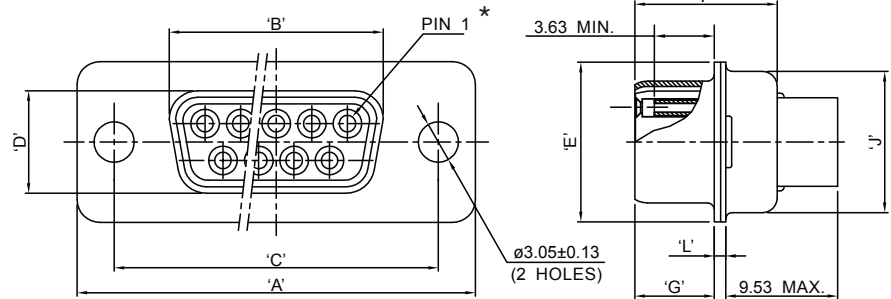
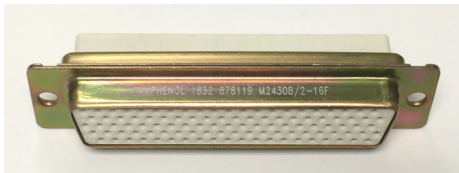
*Contacts shown for reference only

Dimensions (mm)												
Shell Size	Standard Density Contacts	A	B	C	D	E	F	G	H	J	K	L
1	09	30.43 31.19	16.21 16.46	24.87 25.1	7.67 8.03	12.17 12.93	10.64 11.15	6.05 6.30	19.02 19.53	10.46 10.97	0.89 1.52	0.51 1.02
2	15	38.76 39.52	24.54 24.79	33.20 33.45					27.25 27.76			0.51 1.02
3	25	52.65 53.42	38.25 38.51	46.91 47.17					41.02 41.53			0.74 1.25
4	37	68.94 69.70	54.71 54.97	63.37 63.63					57.45 57.96			0.74 1.25
5	50	66.55 67.31	52.30 52.55	60.99 min 61.24					10.62 10.87			14.99 15.75

* Dimensions A-L: Top # min., Bottom # max.

HIGH DENSITY CRIMP-RECEPTACLE

D-Sub Receptacle Assembly w/ Crimp Socket Contact



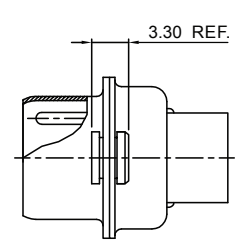
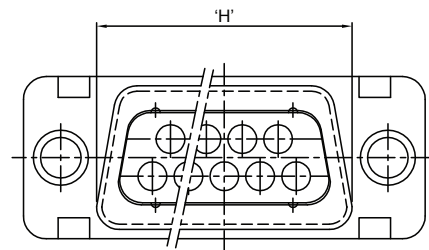
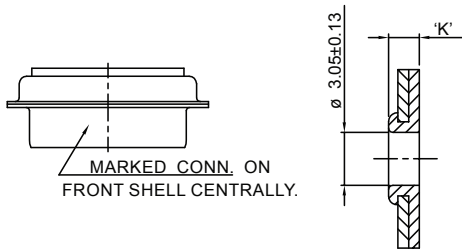
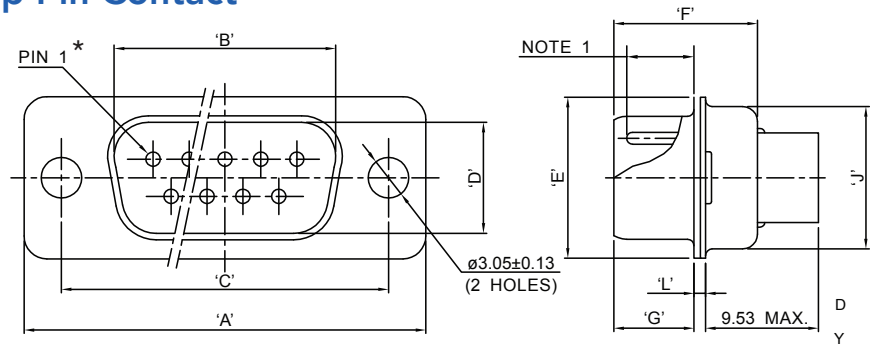
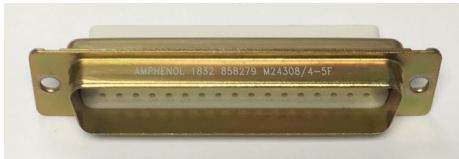
*Contacts shown for reference only

Dimensions (mm)															
Shell Size	High Density Contacts	A	B	C	D	E	F	G	H	J	K	L			
1	15	30.43 31.19	16.21 16.46	24.87 25.12	7.67 8.03	12.17 12.93	10.64 11.15	6.05 6.30	19.02 19.53	10.46 10.97	0.89 1.52	0.51 1.02			
2	26	38.76 39.52	24.54 24.79	33.20 33.45					27.25 27.76			0.51 1.02			
3	44	52.65 53.42	38.25 38.51	46.91 47.17					41.02 41.53			0.74 1.25			
4	62	68.94 69.70	54.71 54.97	63.37 63.63					57.45 57.96			0.74 1.25			
5	78	66.55 67.31	52.30 52.55	60.99 61.24					10.62 10.87			14.99 15.75	55.07 55.58	13.31 13.82	0.74 1.25
6	104	68.94 69.70	55.47 55.73	63.37 63.63					12.19 12.45			16.59 17.35	58.22 58.72	14.88 15.39	0.74 1.25

* Dimensions A-L: Top # min., Bottom # max.

STANDARD DENSITY CRIMP-PLUG

D-Sub Plug Assembly w/ Crimp Pin Contact



STD-THROUGH HOLE.

FLOAT MOUNTING TYPE

Note 1: Dimensions are 3.94 mm minimum (for size 3, 4, 5) and 4.17 mm minimum (for size 1, 2)

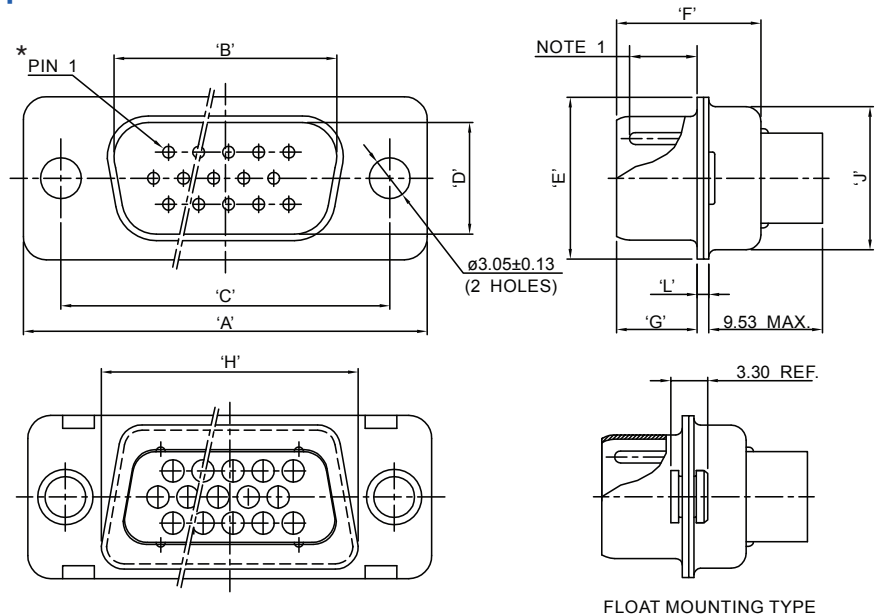
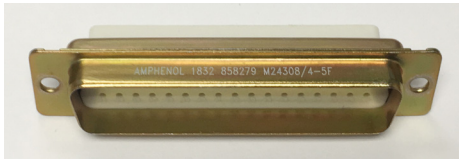
*Contacts shown for reference only

Dimensions (mm)												
Shell Size	Standard Density Contacts	A	B	C	D	E	F	G	H	J	K	L
1	09	30.43 31.19	16.79 17.04	24.87 25.12	8.23	12.17 12.93	10.46 10.97	5.82 6.12	19.02 19.53	10.46 10.97	0.89 1.52	0.51 1.02
2	15	38.76 39.52	25.12 25.37	33.20 33.45					27.25 27.76			
3	25	52.65 53.42	38.84 39.09	46.91 47.17			41.02 41.53					
4	37	68.94 69.70	55.30 55.55	63.37 63.63			57.45 57.96	10.57 11.07	5.69 5.99		1.27 1.78	1.27 1.78
5	50	66.55 67.31	52.68 52.93	60.99 61.24			11.07 11.33	14.99 15.75	55.07 55.58		13.31 13.82	

* Dimensions A-L: Top # min., Bottom # max.

HIGH DENSITY CRIMP-PLUG

D-Sub Plug Assembly w/ Crimp Pin Contact



STD-THROUGH HOLE.

Note 1: Dimensions are 3.94 mm minimum (for size 3, 4, 5) and 4.17 mm minimum (for size 1, 2)

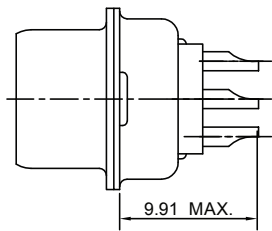
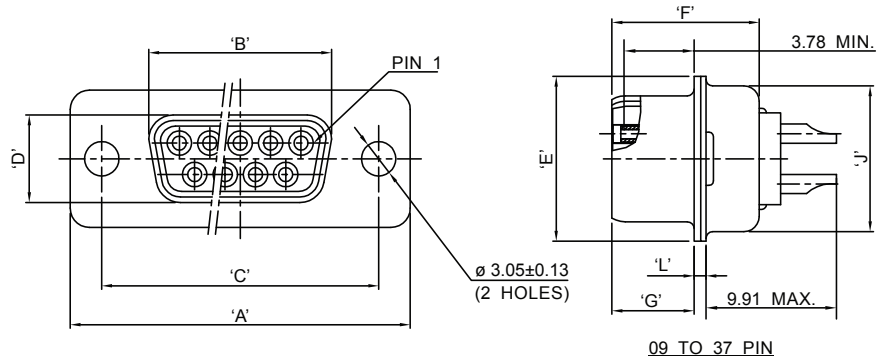
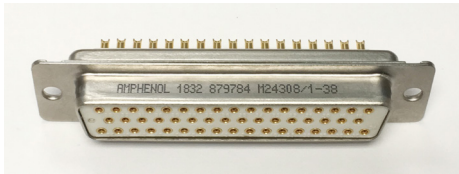
*Contacts shown for reference only

Dimensions (mm)													
Shell Size	High Density Contacts	A	B	C	D	E	F	G	H	J	K	L	
1	15	30.43 31.19	16.79 17.04	24.87 25.12	8.23 8.48	12.17 12.93	10.64 10.97	5.82 6.12	19.02 19.53	10.46 10.97	0.89 1.52	0.51 1.02	
2	26	38.76 39.52	25.12 25.37	33.20 33.45					27.25 27.76				
3	44	52.65 53.42	38.84 39.09	46.91 47.17			10.57 11.07	5.99 5.69	41.02 41.53		1.27 1.78	13.31 13.82	0.74 1.25
4	62	68.94 69.70	55.30 55.55	63.37 63.63					57.45 57.96				
5	78	66.55 67.31	52.68 52.93	60.99 61.24			11.07 11.33	14.99 15.75	55.07 55.58		13.31 13.82		
6	104	68.94 69.70	56.06 56.31	63.37 63.63			12.65 12.90	16.59 17.35	58.22 58.72		14.88 15.39		

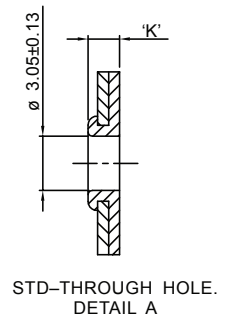
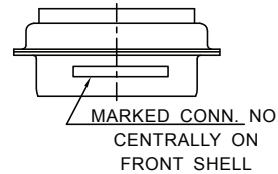
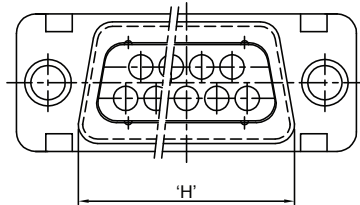
* Dimensions A-L: Top # min., Bottom # max.

STANDARD DENSITY SOLDER CUP-RECEPTACLE

M24308	/1	2	K
Military Designation	Connector Type	Dash Number	Finish
	1 - Receptacle Solder Cup Connector 3 - Plug Solder Cup Connector 5 - Receptacle Solder Cup Connector (With Nonmagnetic Shell) 7 - Plug Solder Cup Connector (With Nonmagnetic Shell)	Refer to Approved QPL Listing table starting on pgs. 31-32/41-42	F - Cadmium Yellow Passivated Z - Zinc Yellow Passivated K - Zinc Nickel Black None - Nickel



50 PIN (3 ROWS)



STD-THROUGH HOLE. DETAIL A

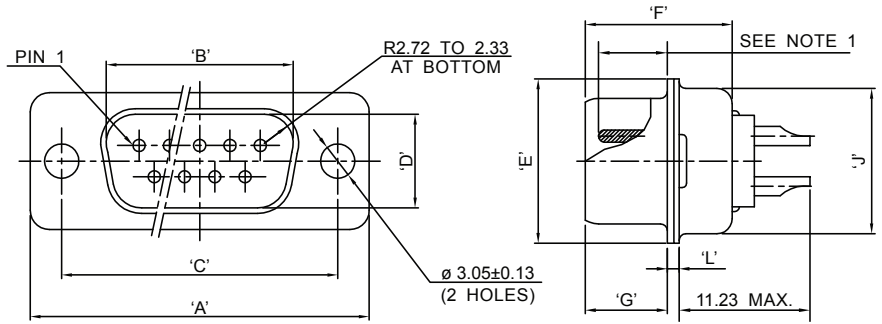
Note 1: Dimensions are 3.94 mm minimum (for size 3, 4, 5) and 4.17 mm minimum (for size 1, 2)

Dimensions (mm)												
Shell Size	Standard Density Contacts	A	B	C	D	E	F	G	H	J	K	L
1	09	30.43 31.19	16.21 16.46	24.87 25.12	7.67 8.03	12.17 12.93	10.64 11.15	6.05 6.30	19.02 19.53	10.46 10.97	0.89 1.52	0.51 1.02
2	15	38.76 39.52	24.54 24.79	33.20 33.45					27.25 27.76			
3	25	52.65 53.42	38.25 38.51	46.91 47.17					41.02 41.53			
4	37	68.94 69.70	54.71 54.97	63.37 63.63					57.45 57.96			
5	50	66.55 67.31	52.30 52.55	60.99 61.24	10.62 10.87	14.99 15.75			55.07 55.58	13.31 13.82		

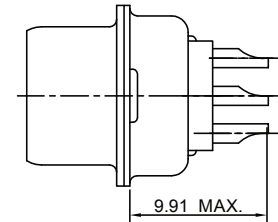
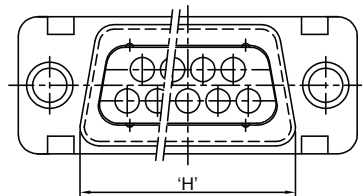
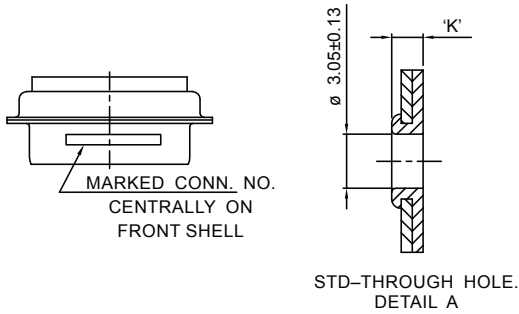
* Dimensions A-L: Top # min., Bottom # max.

STANDARD DENSITY SOLDER CUP-PLUG

Pin Contact



09 TO 37 PIN



50 PIN (3 ROWS)

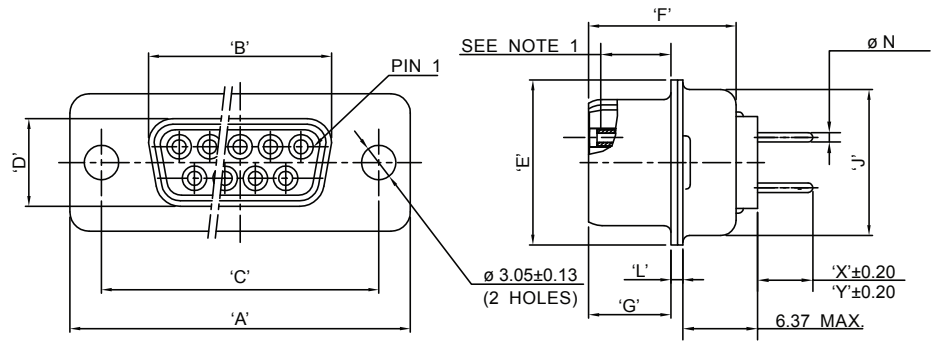
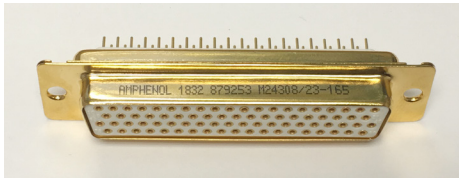
Note 1: Dimensions are 3.81 mm minimum (for size 3, 4, 5) and 4.04 mm minimum (for size 1, 2)

Dimensions (mm)												
Shell Size	Standard Density Contacts	A	B	C	D	E	F	G	H	J	K	L
1	09	30.43 31.19	16.79 17.04	24.87 25.12	8.23 8.48	12.17 12.93	10.46 10.97	5.82 6.05	19.02 19.53	10.46 10.97	0.89 1.52	0.51 1.02
2	15	38.76 39.52	25.12 25.37	33.20 33.45					27.25 27.76			
3	25	52.65 53.42	38.84 39.09	46.91 47.17			10.57 11.07	5.69 5.99	41.02 41.53		1.27 1.78	
4	37	68.94 69.70	55.30 55.55	63.37 63.63					57.45 57.96			
5	50	66.55 67.31	52.68 52.93	60.99 61.24			11.07 11.33	14.99 15.75	55.07 55.58		13.31 13.82	

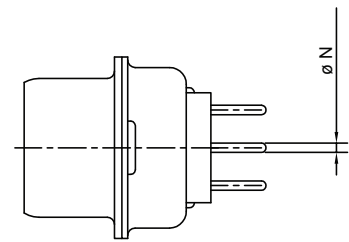
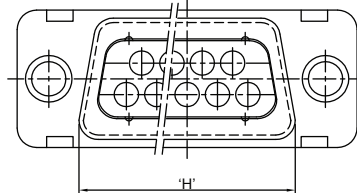
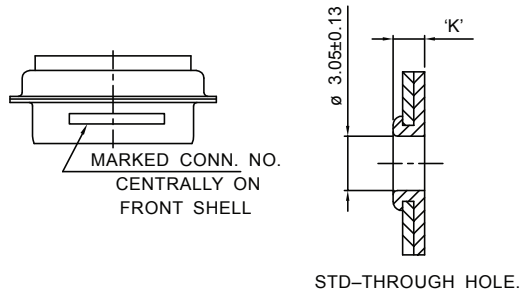
* Dimensions A-L: Top # min., Bottom # max.

STANDARD DENSITY STRAIGHT PC TAIL-RECEPTACLE

M24308	/23	63	Z
Military Designation	Connector Type	Dash Number	Finish
	23: Receptacle Straight/Right Angle PC Tail 24: Plug Straight/Right Angle PC Tail	Refer to Approved QPL Listing table starting on pgs. 64-74/74-84	F - Cadmium Yellow Passivated Z - Zinc Yellow Passivated None- Gold None- Nickel K- Zinc Nickel



09 TO 37 PIN



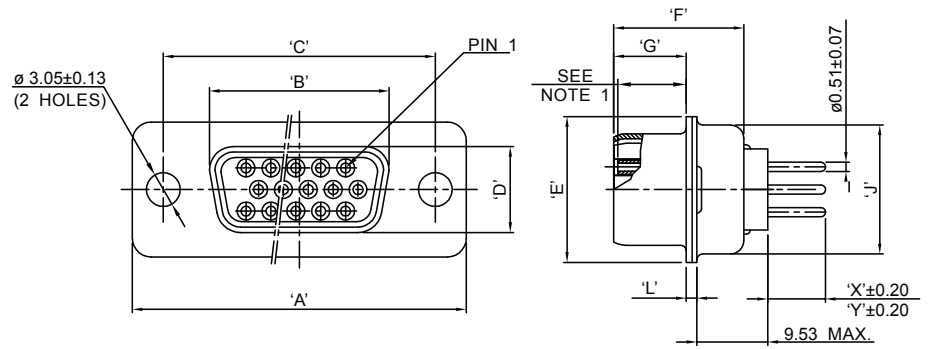
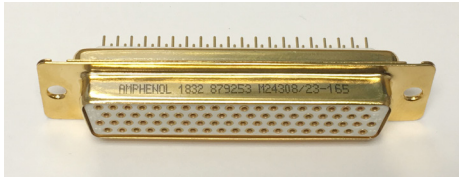
50 PIN (3 ROWS)

Note 1: Dimensions are 3.63 mm minimum (for size 1, 2, 3, 4, 5)

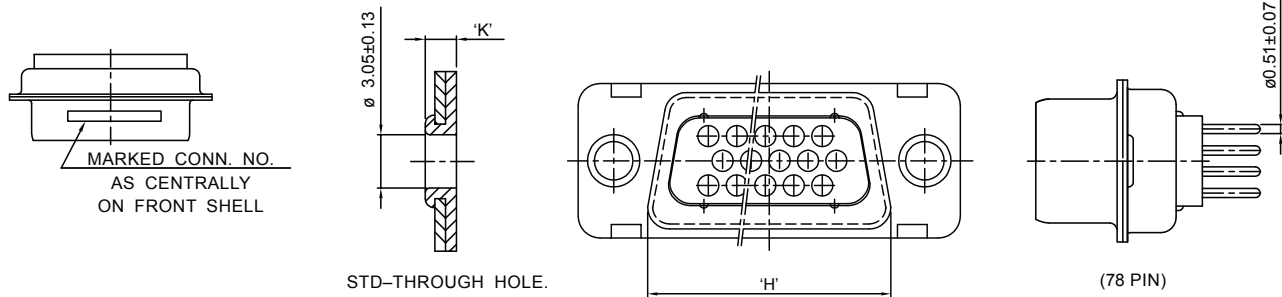
Dimensions (mm)														
Shell Size	Standard Density Contacts	A	B	C	D	E	F	G	H	J	K	L	X	Y
1	09	30.43 31.19	16.21 16.46	24.87 25.12	7.77 8.03	12.17 12.93	10.64 11.15	6.06 6.30	19.02 19.53	10.46 10.97	0.89 1.52	0.51 1.02	4.00	4.70
2	15	38.76 39.52	24.54 24.79	33.20 33.45					41.02 41.53					
3	25	52.65 53.42	38.25 38.51	46.91 47.17					57.45 57.96					
4	37	68.94 69.70	54.71 54.97	63.37 63.63					55.07 55.58					
5	50	66.55 67.31	52.30 52.55	60.99 61.24					10.62 10.87					

* Dimensions A-L: Top # min., Bottom # max.

HIGH DENSITY STRAIGHT PC TAIL-RECEPTACLE



(15 TO 62 PIN)

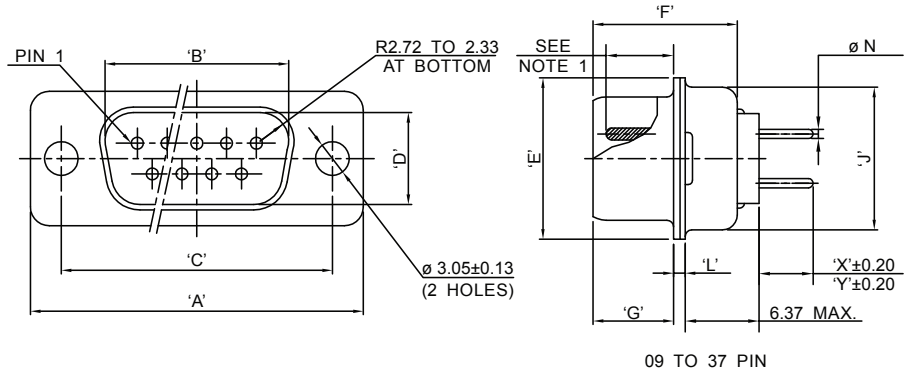


Note 1: Dimensions are 3.63 mm minimum (for size 1, 2, 3, 4, 5)

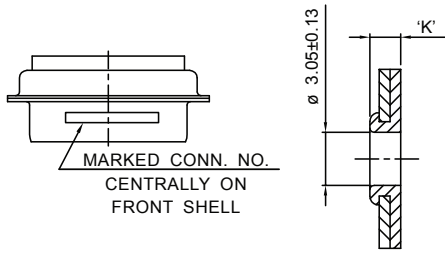
Dimensions (mm)														
Shell Size	High Density Contacts	A	B	C	D	E	F	G	H	J	K	L	X	Y
1	15	30.43 31.19	16.21 16.46	24.87 25.12	7.77 8.03	12.17 12.93	10.64 11.15	6.05 6.30	19.02 19.53	10.46 10.97	0.89 1.52	0.51 1.02	4.00	7.56
2	26	38.76 39.52	24.54 24.79	33.20 33.45					27.25 27.76					
3	44	52.65 53.42	38.25 38.51	46.91 47.17					41.02 41.53					
4	62	68.94 69.70	54.71 54.97	63.37 63.63					57.45 57.96					
5	78	66.55 67.31	52.30 52.55	60.99 61.24	10.62 10.87	14.99 15.75			55.07 55.58	13.31 13.82				

* Dimensions A-L: Top # min., Bottom # max.

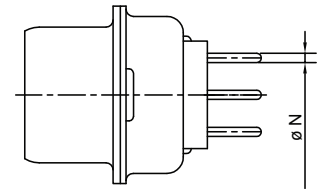
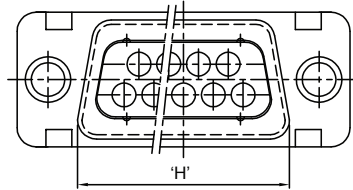
STANDARD DENSITY STRAIGHT PC TAIL-PLUG



09 TO 37 PIN



STD-THROUGH HOLE.



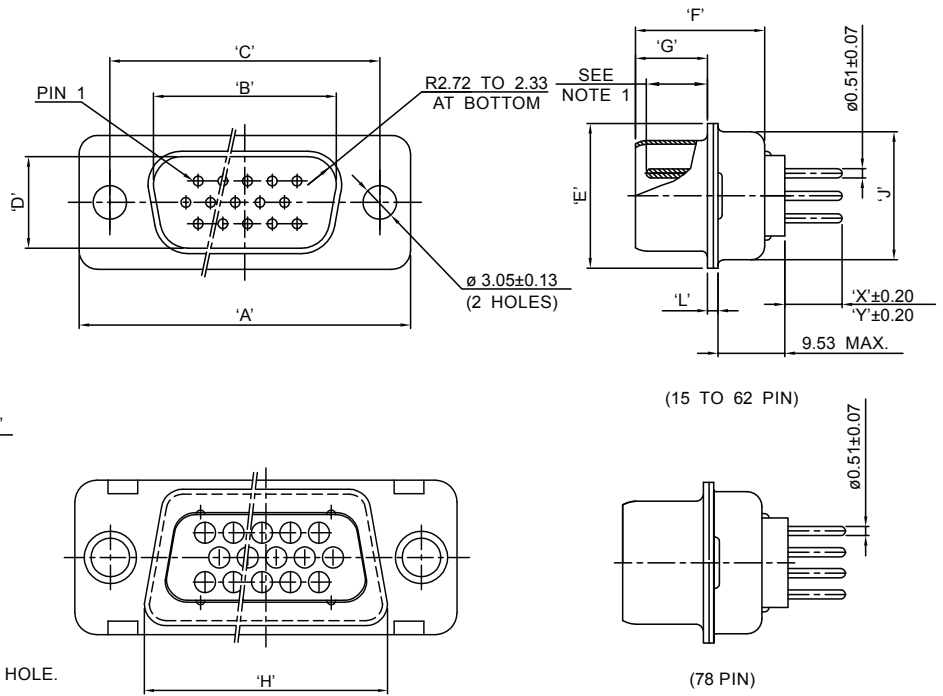
50 PIN (3 ROWS)

Note 1: Dimensions are 3.81 mm minimum (for size 3, 4, 5) and 4.04 mm minimum (for size 1, 2)

Dimensions (mm)														
Shell Size	Standard Density Contacts	A	B	C	D	E	F	G	H	J	K	L	X	Y
1	09	30.43 31.19	16.79 17.04	24.87 25.12	8.23 8.48	12.17 12.93	10.46 10.97	5.82 6.05	19.02 19.53	10.46 10.97	0.89 1.52	0.51 1.02	4.00	4.70
2	15	38.76 39.52	25.12 25.37	33.20 33.45					27.25 27.76					
3	25	52.65 53.42	38.84 39.09	46.91 47.17			41.02 41.53							
4	37	68.94 69.70	55.30 55.55	63.37 63.63			57.45 57.96	10.57 11.07	5.69 5.99		1.27 1.78	0.74 1.24		
5	50	66.55 67.31	52.68 52.93	60.99 61.24			11.07 11.33				14.99 15.75	55.07 55.58		

* Dimensions A-L: Top # min., Bottom # max.

HIGH DENSITY STRAIGHT PC TAIL-PLUG



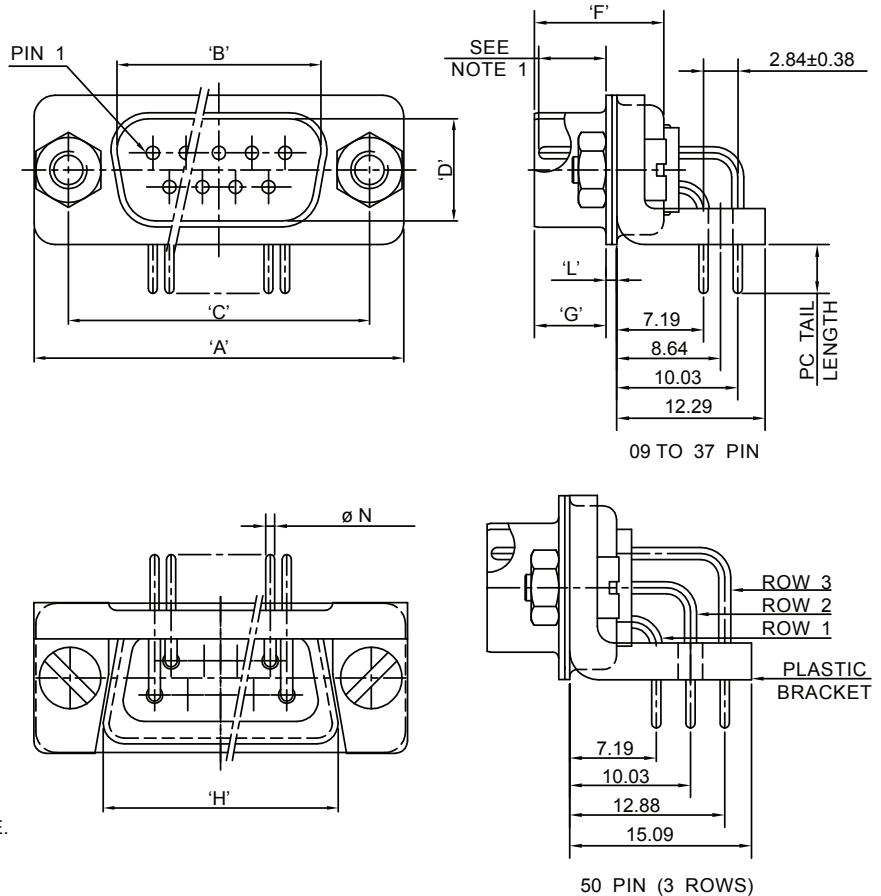
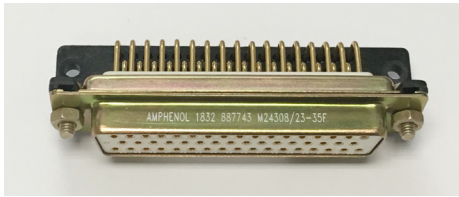
Note 1: Dimensions are 3.81 mm minimum (for size 3, 4, 5) and 4.04 mm minimum (for size 1, 2)

Dimensions (mm)														
Shell Size	High Density Contacts	A	B	C	D	E	F	G	H	J	K	L	X	Y
1	15	30.43 31.19	16.79 17.04	24.87 25.12	8.23 8.48	12.17 12.93	10.46 10.97	5.82 6.05	19.02 19.53	10.46 10.97	0.89 1.52	0.51 1.02	4.00	7.56
2	26	38.76 39.52	25.12 25.37	33.20 33.45					27.25 27.76					
3	44	52.65 53.42	38.84 39.09	46.91 47.17			41.02 41.53							
4	62	68.94 69.70	55.30 55.55	63.37 63.63			57.45 57.96	1.27 1.78	0.74 1.24					
5	78	66.55 67.31	52.68 52.93	60.99 61.24			11.07 11.33	14.99 15.75	55.07 55.58		13.31 13.82			

* Dimensions A-L: Top # min., Bottom # max.

STANDARD DENSITY RIGHT ANGLE PC TAIL-RECEPTACLE

M24308	/23	257	F
Military Designation	Connector Type	Dash Number	Finish
	23: Receptacle Straight/Right Angle PC Tail type 24: Plug Straight/Right Angle PC Tail type	Refer to Approved QPL Listing table starting on pgs. 31-32/41-42	F - Cadmium Yellow Passivated Z - Zinc Yellow Passivated None- Gold None- Nickel K- Zinc Nickel

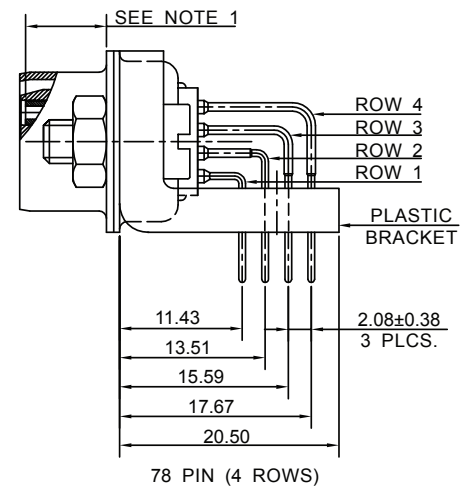
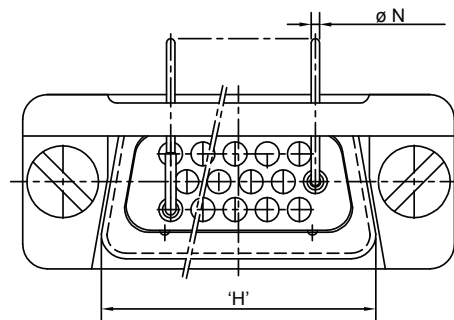
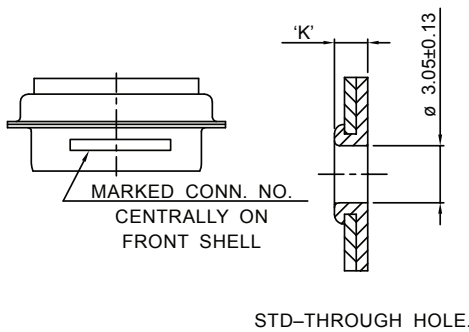
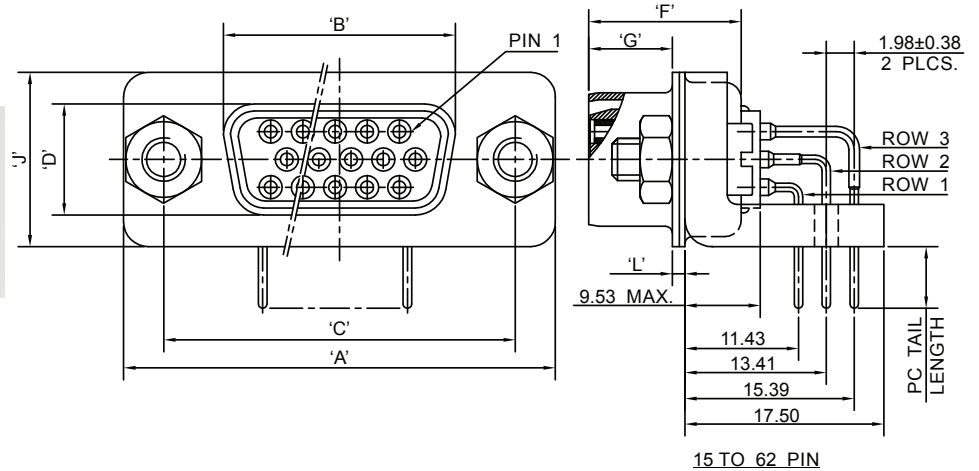
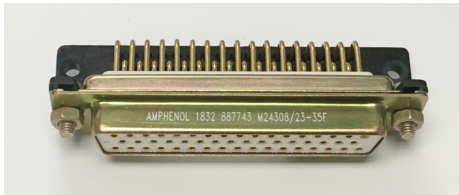


Note 1: Dimensions are 3.63 mm minimum (for size 1, 2, 3, 4, 5)

Dimensions (mm)															
Shell Size	Standard Density Contacts	A	B	C	D	E	F	G	H	J	K	L	PC Tail Length		
													X	Y	Z
1	09	30.43	16.21	24.87	7.77	12.17	10.64	6.05	19.02	10.46	0.89	0.51	3.30	3.94	2.51
		31.19	16.46	25.12					19.53						
2	15	38.76	24.54	33.20	8.03	12.93	11.15	6.30	27.25	10.97	1.52	0.74	4.70	5.33	3.91
		39.52	24.79	33.45					27.76						
3	25	52.65	38.25	46.91	10.62	14.99	11.15	6.30	41.02	13.31	1.52	0.74	4.70	5.33	3.91
		53.42	38.51	47.17					41.53						
4	37	68.94	54.71	63.37	10.62	14.99	11.15	6.30	57.45	13.31	1.52	0.74	4.70	5.33	3.91
		69.70	54.97	63.63					57.96						
5	50	66.55	52.30	60.99	10.87	15.75	11.15	6.30	55.07	13.31	1.52	0.74	4.70	5.33	3.91
		67.31	52.55	61.24					55.58						

* Dimensions A-L: Top # min., Bottom # max.

HIGH DENSITY RIGHT ANGLE PC TAIL-RECEPTACLE

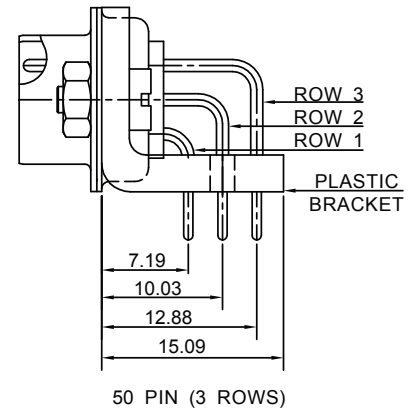
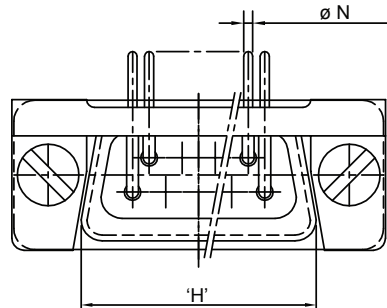
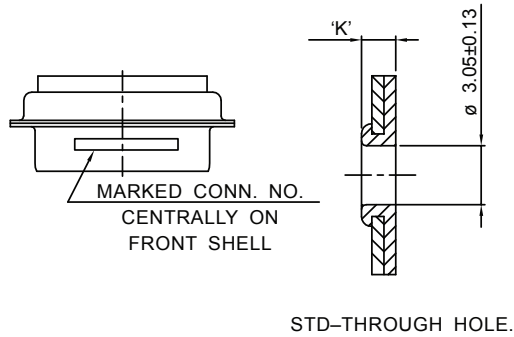
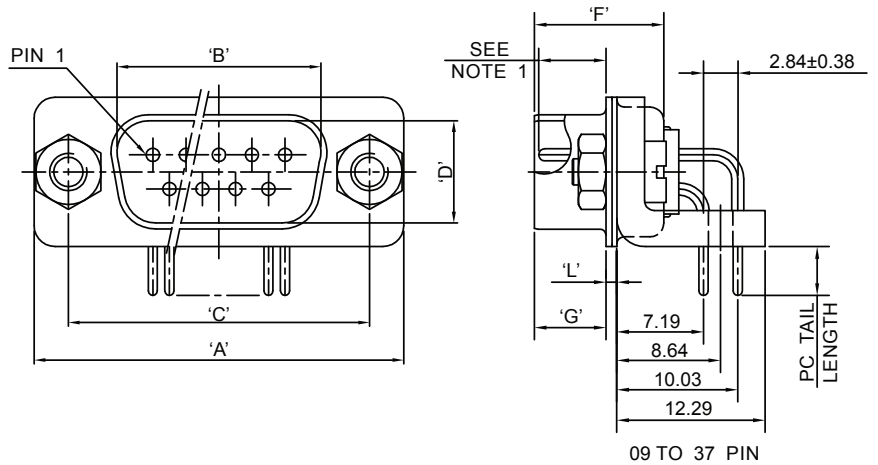


Note 1: Dimensions are 3.63 mm minimum (for size 1, 2, 3, 4, 5)

Dimensions (mm)													
Shell Size	High Density Contacts	A	B	C	D	E	F	G	H	J	K	L	PC Tail Length
													X
1	15	30.43 31.19	16.21 16.46	24.87 25.12	7.77 8.03	12.17 12.93	10.64 11.15	6.05 6.30	19.02 19.53	10.46 10.97	0.89 1.52	0.51 1.02	2.51 3.91
2	26	38.76 39.52	24.54 24.79	33.20 33.45									
3	44	52.65 53.42	38.25 38.51	46.91 47.17									
4	62	68.94 69.70	54.71 54.97	63.37 63.63									
5	78	66.55 67.31	52.30 52.55	60.99 61.24									

* Dimensions A-L: Top # min., Bottom # max.

STANDARD DENSITY RIGHT ANGLE PC TAIL-PLUG

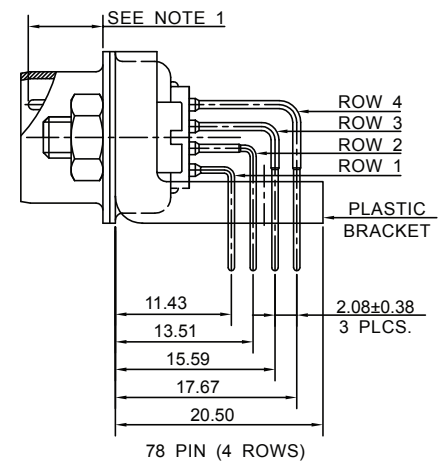
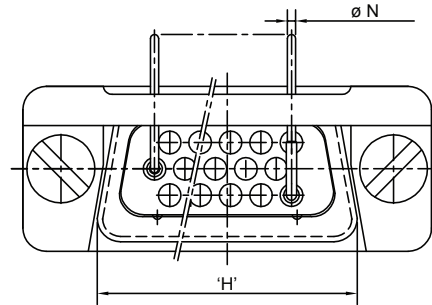
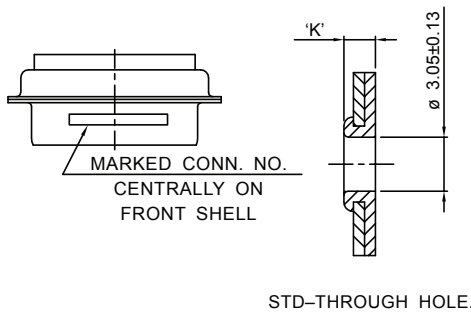
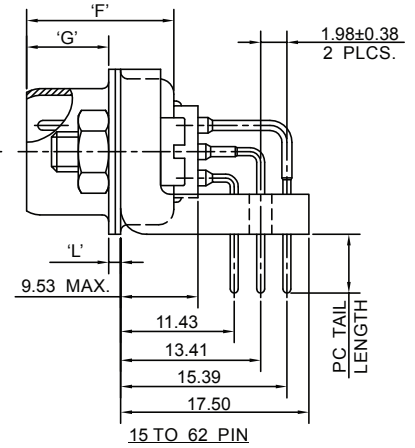
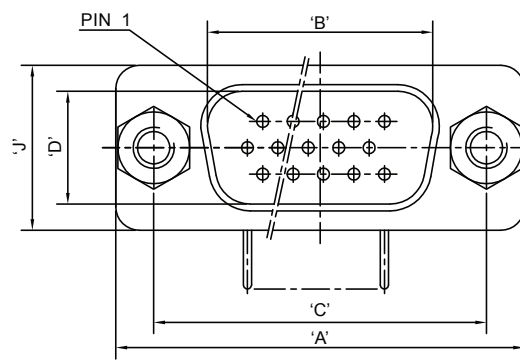


Note 1: Dimensions are 3.81 mm minimum (for size 3, 4, 5) and 4.04 mm minimum (for size 1, 2)

Dimensions (mm)															
Shell Size	Standard Density Contacts	A	B	C	D	E	F	G	H	J	K	L	PC Tail Length		
													X	Y	Z
1	09	30.43 31.19	16.79 17.04	24.87 25.12	8.23 8.48	12.17 12.93	10.46 10.97	5.82 6.05	19.02 19.53	10.46 10.97	0.89 1.52	0.51 1.02	3.30 4.70	3.94 5.33	2.51 3.91
2	15	38.76 39.52	25.12 25.37	33.20 33.45					27.25 27.76						
3	25	52.65 53.42	38.84 39.09	46.91 47.17			41.02 41.53								
4	37	68.94 69.70	55.30 55.55	63.37 63.63			10.57 11.07	5.69 5.99	57.45 57.96		1.27 1.78	0.74 1.24			
5	50	66.55 67.31	52.68 52.93	60.99 61.24			11.07 11.33	14.99 15.75	55.07 55.58						

* Dimensions A-L: Top # min., Bottom # max.

HIGH DENSITY RIGHT ANGLE PC TAIL-PLUG



Note 1: Dimensions are 3.81 mm minimum (for size 3, 4, 5) and 4.04 mm minimum (for size 1, 2)

Dimensions (mm)													
Shell Size	High Density Contacts	A	B	C	D	E	F	G	H	J	K	L	PC Tail Length
													X
1	15	30.43 31.19	16.79 17.04	24.87 25.12	8.23 8.48	12.17 12.93	10.46	5.82	19.02 19.53	10.46 10.97	0.89	0.51	2.51 3.91
2	26	38.76 39.52	25.12 25.37	33.20 33.45			10.97	6.12	27.25 27.76		1.52	1.02	
3	44	52.65 53.42	38.84 39.09	46.91 47.17			10.57 11.07	5.69 5.99	41.02 41.53		1.27 1.78	0.74 1.24	
4	62	68.94 69.70	55.30 55.55	63.37 63.63			11.07 11.33	14.99 15.75	55.07 55.58		13.31 13.82		
5	78	66.55 67.31	52.68 52.93	60.99 61.24									

* Dimensions A-L: Top # min., Bottom # max.

PC TAIL APPLICATION DATA & DIMENSIONS

Dimensions (mm)				
Dash Number (M24308/23-)	Application Board Thickness	Nominal Pin Diameter	PC Tail Length	Pin Diameter (N)
1 to 5	2.39	0.76	4.70 3.30	0.84 0.69
7 to 11	3.18	0.76	5.33 3.94	0.84 0.69
13 to 17	2.39	1.02	4.70 3.30	1.09 0.94
19 to 23	3.18	1.02	5.33 3.94	1.09 0.94
25 to 29	1.57	0.76	3.91 2.51	0.84 0.69
31 to 35	2.39	0.76	4.70 3.30	0.84 0.69
37 to 41	1.57	1.02	3.91 2.51	1.09 0.94
43 to 37	2.39	1.02	4.70 3.30	1.09 0.94
49 to 53	3.18	0.76	5.33 3.94	0.84 0.69
55 to 59	3.18	1.02	5.33 3.94	1.09 0.94
61 to 65	2.39	0.51	4.70 3.30	0.58 0.43
67 to 71	3.18	0.51	8.13 6.99	0.58 0.43
73 to 77	1.57	0.51	3.91 2.51	0.58 0.43

Dimensions (mm)				
Dash Number (M24308/24-)	Application Board Thickness	Nominal Pin Diameter	PC Tail Length	Pin Diameter (N)
1 to 5	2.39	0.76	4.70 3.30	0.84 0.69
7 to 11	3.18	0.76	5.33 3.94	0.84 0.69
13 to 17	2.39	1.02	4.70 3.30	1.09 0.94
19 to 23	3.18	1.02	5.33 3.94	1.09 0.94
25 to 29	1.57	0.76	3.91 2.51	0.84 0.69
31 to 35	2.39	0.76	4.70 3.30	0.84 0.69
37 to 41	1.57	1.02	3.91 2.51	1.09 0.94
43 to 37	2.39	1.02	4.70 3.30	1.09 0.94
49 to 53	3.18	0.76	5.33 3.94	0.84 0.69
55 to 59	3.18	1.02	5.33 3.94	1.09 0.94
61 to 65	2.39	0.51	4.70 3.30	0.58 0.43
67 to 71	3.18	0.51	8.13 6.99	0.58 0.43
73 to 77	1.57	0.51	3.91 2.51	0.58 0.43

* PC Tail length & Pin Diameter: Top # max., Bottom # min.

APPROVED QPL LIST

Military	Manufacturers Designation	Type	No. Of Pins	*Contact	*IR	Shell Material	Finish	Pg.
M24308/1-12Z	M2000/1-12Z	Standard	9	Socket	N/A	Steel	Zinc YP	20-21
M24308/1-13Z	M2000/1-13Z	Standard	15	Socket	N/A	Steel	Zinc YP	20-21
M24308/1-14Z	M2000/1-14Z	Standard	25	Socket	N/A	Steel	Zinc YP	20-21
M24308/1-15Z	M2000/1-15Z	Standard	37	Socket	N/A	Steel	Zinc YP	20-21
M24308/1-16Z	M2000/1-16Z	Standard	50	Socket	N/A	Steel	Zinc YP	20-21
M24308/1-23Z	M2000/1-23Z	Standard	9	Socket	N/A	Steel	Zinc YP	20-21
M24308/1-24Z	M2000/1-24Z	Standard	15	Socket	N/A	Steel	Zinc YP	20-21
M24308/1-25Z	M2000/1-25Z	Standard	25	Socket	N/A	Steel	Zinc YP	20-21
M24308/1-26Z	M2000/1-26Z	Standard	37	Socket	N/A	Steel	Zinc YP	20-21
M24308/1-27Z	M2000/1-27Z	Standard	50	Socket	N/A	Steel	Zinc YP	20-21
M24308/1-12K	M2000/1-12K	Standard	9	Socket	N/A	Steel	Zinc Nickel	20-21
M24308/1-13K	M2000/1-13K	Standard	15	Socket	N/A	Steel	Zinc Nickel	20-21
M24308/1-14K	M2000/1-14K	Standard	25	Socket	N/A	Steel	Zinc Nickel	20-21
M24308/1-15K	M2000/1-15K	Standard	37	Socket	N/A	Steel	Zinc Nickel	20-21
M24308/1-16K	M2000/1-16K	Standard	50	Socket	N/A	Steel	Zinc Nickel	20-21
M24308/1-23K	M2000/1-23K	Standard	9	Socket	N/A	Steel	Zinc Nickel	20-21
M24308/1-24K	M2000/1-24K	Standard	15	Socket	N/A	Steel	Zinc Nickel	20-21
M24308/1-25K	M2000/1-25K	Standard	25	Socket	N/A	Steel	Zinc Nickel	20-21
M24308/1-26K	M2000/1-26K	Standard	37	Socket	N/A	Steel	Zinc Nickel	20-21
M24308/1-27K	M2000/1-27K	Standard	50	Socket	N/A	Steel	Zinc Nickel	20-21
M24308/1-45	M2000/1-45	Standard	9	Socket	N/A	Steel	Nickel	20-21
M24308/1-46	M2000/1-46	Standard	15	Socket	N/A	Steel	Nickel	20-21
M24308/1-47	M2000/1-47	Standard	25	Socket	N/A	Steel	Nickel	20-21
M24308/1-48	M2000/1-48	Standard	37	Socket	N/A	Steel	Nickel	20-21
M24308/1-49	M2000/1-49	Standard	50	Socket	N/A	Steel	Nickel	20-21
M24308/1-56	M2000/1-56	Standard	9	Socket	N/A	Steel	Nickel	20-21
M24308/1-57	M2000/1-57	Standard	15	Socket	N/A	Steel	Nickel	20-21
M24308/1-58	M2000/1-58	Standard	25	Socket	N/A	Steel	Nickel	20-21
M24308/1-59	M2000/1-59	Standard	37	Socket	N/A	Steel	Nickel	20-21
M24308/1-60	M2000/1-60	Standard	50	Socket	N/A	Steel	Nickel	20-21
M24308/1-1F	M20000/1-1F	Standard	9	Socket	N/A	Steel	Cadmium YP	20-21
M24308/1-2F	M20000/1-2F	Standard	15	Socket	N/A	Steel	Cadmium YP	20-21
M24308/1-3F	M20000/1-3F	Standard	25	Socket	N/A	Steel	Cadmium YP	20-21
M24308/1-4F	M20000/1-4F	Standard	37	Socket	N/A	Steel	Cadmium YP	20-21
M24308/1-5F	M20000/1-5F	Standard	50	Socket	N/A	Steel	Cadmium YP	20-21
M24308/1-1Z	M20000/1-1Z	Standard	9	Socket	N/A	Steel	Zinc YP	20-21
M24308/1-2Z	M20000/1-2Z	Standard	15	Socket	N/A	Steel	Zinc YP	20-21
M24308/1-3Z	M20000/1-3Z	Standard	25	Socket	N/A	Steel	Zinc YP	20-21
M24308/1-4Z	M20000/1-4Z	Standard	37	Socket	N/A	Steel	Zinc YP	20-21
M24308/1-5Z	M20000/1-5Z	Standard	50	Socket	N/A	Steel	Zinc YP	20-21
M24308/1-34	M2000/1-34	Standard	9	Socket	N/A	Steel	Nickel	20-21
M24308/1-35	M2000/1-35	Standard	15	Socket	N/A	Steel	Nickel	20-21
M24308/1-36	M2000/1-36	Standard	25	Socket	N/A	Steel	Nickel	20-21
M24308/1-37	M2000/1-37	Standard	37	Socket	N/A	Steel	Nickel	20-21

* Y- Supplied w/ Connector, N: not supplied w/ Connector, N/A: Not Applicable

Finish: YP- Yellow Passivation

Military	Manufacturers Designation	Type	No. Of Pins	*Contact	*IR	Shell Material	Finish	Pg.
M24308/1-38	M2000/1-38	Standard	50	Socket	N/A	Steel	Nickel	20-21
M24308/1-1K	M2000/1-1K	Standard	9	Socket	N/A	Steel	Zinc Nickel Black	20-21
M24308/1-2K	M2000/1-2K	Standard	15	Socket	N/A	Steel	Zinc Nickel Black	20-21
M24308/1-3K	M2000/1-3K	Standard	25	Socket	N/A	Steel	Zinc Nickel Black	20-21
M24308/1-4K	M2000/1-4K	Standard	37	Socket	N/A	Steel	Zinc Nickel Black	20-21
M24308/1-5K	M2000/1-5K	Standard	50	Socket	N/A	Steel	Zinc Nickel Black	20-21
M24308/2-1F	M2000/2-1F	Standard	9	Socket	N	Steel	Cadmium YP	16-19
M24308/2-2F	M2000/2-2F	Standard	15	Socket	N	Steel	Cadmium YP	16-19
M24308/2-3F	M2000/2-3F	Standard	25	Socket	N	Steel	Cadmium YP	16-19
M24308/2-4F	M2000/2-4F	Standard	37	Socket	N	Steel	Cadmium YP	16-19
M24308/2-5F	M2000/2-5F	Standard	50	Socket	N	Steel	Cadmium YP	16-19
M24308/2-6F	M2000/2-6F	Standard	9	Socket	Y	Steel	Cadmium YP	16-19
M24308/2-7F	M2000/2-7F	Standard	15	Socket	Y	Steel	Cadmium YP	16-19
M24308/2-8F	M2000/2-8F	Standard	25	Socket	Y	Steel	Cadmium YP	16-19
M24308/2-9F	M2000/2-9F	Standard	37	Socket	Y	Steel	Cadmium YP	16-19
M24308/2-10F	M2000/2-10F	Standard	50	Socket	Y	Steel	Cadmium YP	16-19
M24308/2-281F	M2000/2-281F	Standard	9	N	N	Steel	Cadmium YP	16-19
M24308/2-282F	M2000/2-282F	Standard	15	N	N	Steel	Cadmium YP	16-19
M24308/2-283F	M2000/2-283F	Standard	25	N	N	Steel	Cadmium YP	16-19
M24308/2-284F	M2000/2-284F	Standard	37	N	N	Steel	Cadmium YP	16-19
M24308/2-285F	M2000/2-285F	Standard	50	N	N	Steel	Cadmium YP	16-19
M24308/2-11F	M2000/2-11F	High Density	15	Socket	N	Steel	Cadmium YP	16-19
M24308/2-12F	M2000/2-12F	High Density	26	Socket	N	Steel	Cadmium YP	16-19
M24308/2-13F	M2000/2-13F	High Density	44	Socket	N	Steel	Cadmium YP	16-19
M24308/2-14F	M2000/2-14F	High Density	62	Socket	N	Steel	Cadmium YP	16-19
M24308/2-15F	M2000/2-15F	High Density	78	Socket	N	Steel	Cadmium YP	16-19
M24308/2-16F	M2000/2-16F	High Density	104	Socket	N	Steel	Cadmium YP	16-19
M24308/2-17F	M2000/2-17F	High Density	15	Socket	Y	Steel	Cadmium YP	16-19
M24308/2-18F	M2000/2-18F	High Density	26	Socket	Y	Steel	Cadmium YP	16-19
M24308/2-19F	M2000/2-19F	High Density	44	Socket	Y	Steel	Cadmium YP	16-19
M24308/2-20F	M2000/2-20F	High Density	62	Socket	Y	Steel	Cadmium YP	16-19
M24308/2-21F	M2000/2-21F	High Density	78	Socket	Y	Steel	Cadmium YP	16-19
M24308/2-22F	M2000/2-22F	High Density	104	Socket	Y	Steel	Cadmium YP	16-19
M24308/2-286F	M2000/2-286F	High Density	15	N	N	Steel	Cadmium YP	16-19
M24308/2-287F	M2000/2-287F	High Density	26	N	N	Steel	Cadmium YP	16-19
M24308/2-288F	M2000/2-288F	High Density	44	N	N	Steel	Cadmium YP	16-19
M24308/2-289F	M2000/2-289F	High Density	62	N	N	Steel	Cadmium YP	16-19
M24308/2-290F	M2000/2-290F	High Density	78	N	N	Steel	Cadmium YP	16-19
M24308/2-291F	M2000/2-291F	High Density	104	N	N	Steel	Cadmium YP	16-19
M24308/2-1Z	M2000/2-1Z	Standard	9	Socket	N	Steel	Zinc YP	16-19
M24308/2-2Z	M2000/2-2Z	Standard	15	Socket	N	Steel	Zinc YP	16-19
M24308/2-3Z	M2000/2-3Z	Standard	25	Socket	N	Steel	Zinc YP	16-19
M24308/2-4Z	M2000/2-4Z	Standard	37	Socket	N	Steel	Zinc YP	16-19
M24308/2-5Z	M2000/2-5Z	Standard	50	Socket	N	Steel	Zinc YP	16-19
M24308/2-6Z	M2000/2-6Z	Standard	9	Socket	Y	Steel	Zinc YP	16-19
M24308/2-7Z	M2000/2-7Z	Standard	15	Socket	Y	Steel	Zinc YP	16-19

* Y- Supplied w/ Connector, N: not supplied w/ Connector, N/A: Not Applicable

Finish: YP- Yellow Passivation

Military	Manufacturers Designation	Type	No. Of Pins	*Contact	*IR	Shell Material	Finish	Pg.
M24308/2-8Z	M2000/2-8Z	Standard	25	Socket	Y	Steel	Zinc YP	16-19
M24308/2-9Z	M2000/2-9Z	Standard	37	Socket	Y	Steel	Zinc YP	16-19
M24308/2-10Z	M2000/2-10Z	Standard	50	Socket	Y	Steel	Zinc YP	16-19
M24308/2-281Z	M2000/2-281Z	Standard	9	N	N	Steel	Zinc YP	16-19
M24308/2-282Z	M2000/2-282Z	Standard	15	N	N	Steel	Zinc YP	16-19
M24308/2-283Z	M2000/2-283Z	Standard	25	N	N	Steel	Zinc YP	16-19
M24308/2-284Z	M2000/2-284Z	Standard	37	N	N	Steel	Zinc YP	16-19
M24308/2-285Z	M2000/2-285Z	Standard	50	N	N	Steel	Zinc YP	16-19
M24308/2-11Z	M2000/2-11Z	High Density	15	Socket	N	Steel	Zinc YP	16-19
M24308/2-12Z	M2000/2-12Z	High Density	26	Socket	N	Steel	Zinc YP	16-19
M24308/2-13Z	M2000/2-13Z	High Density	44	Socket	N	Steel	Zinc YP	16-19
M24308/2-14Z	M2000/2-14Z	High Density	62	Socket	N	Steel	Zinc YP	16-19
M24308/2-15Z	M2000/2-15Z	High Density	78	Socket	N	Steel	Zinc YP	16-19
M24308/2-16Z	M2000/2-16Z	High Density	104	Socket	N	Steel	Zinc YP	16-19
M24308/2-17Z	M2000/2-17Z	High Density	15	Socket	Y	Steel	Zinc YP	16-19
M24308/2-18Z	M2000/2-18Z	High Density	26	Socket	Y	Steel	Zinc YP	16-19
M24308/2-19Z	M2000/2-19Z	High Density	44	Socket	Y	Steel	Zinc YP	16-19
M24308/2-20Z	M2000/2-20Z	High Density	62	Socket	Y	Steel	Zinc YP	16-19
M24308/2-21Z	M2000/2-21Z	High Density	78	Socket	Y	Steel	Zinc YP	16-19
M24308/2-22Z	M2000/2-22Z	High Density	104	Socket	Y	Steel	Zinc YP	16-19
M24308/2-286Z	M2000/2-286Z	High Density	15	N	N	Steel	Zinc YP	16-19
M24308/2-287Z	M2000/2-287Z	High Density	26	N	N	Steel	Zinc YP	16-19
M24308/2-288Z	M2000/2-288Z	High Density	44	N	N	Steel	Zinc YP	16-19
M24308/2-289Z	M2000/2-289Z	High Density	62	N	N	Steel	Zinc YP	16-19
M24308/2-290Z	M2000/2-290Z	High Density	78	N	N	Steel	Zinc YP	16-19
M24308/2-291Z	M2000/2-291Z	High Density	104	N	N	Steel	Zinc YP	16-19
M24308/2-1K	M2000/2-1K	Standard	9	Socket	N	Steel	Zinc Nickel	16-19
M24308/2-2K	M2000/2-2K	Standard	15	Socket	N	Steel	Zinc Nickel	16-19
M24308/2-3K	M2000/2-3K	Standard	25	Socket	N	Steel	Zinc Nickel	16-19
M24308/2-4K	M2000/2-4K	Standard	37	Socket	N	Steel	Zinc Nickel	16-19
M24308/2-5K	M2000/2-5K	Standard	50	Socket	N	Steel	Zinc Nickel	16-19
M24308/2-6K	M2000/2-6K	Standard	9	Socket	Y	Steel	Zinc Nickel	16-19
M24308/2-7K	M2000/2-7K	Standard	15	Socket	Y	Steel	Zinc Nickel	16-19
M24308/2-8K	M2000/2-8K	Standard	25	Socket	Y	Steel	Zinc Nickel	16-19
M24308/2-9K	M2000/2-9K	Standard	37	Socket	Y	Steel	Zinc Nickel	16-19
M24308/2-10K	M2000/2-10K	Standard	50	Socket	Y	Steel	Zinc Nickel	16-19
M24308/2-281K	M2000/2-281K	Standard	9	N	N	Steel	Zinc Nickel	16-19
M24308/2-282K	M2000/2-282K	Standard	15	N	N	Steel	Zinc Nickel	16-19
M24308/2-283K	M2000/2-283K	Standard	25	N	N	Steel	Zinc Nickel	16-19
M24308/2-284K	M2000/2-284K	Standard	37	N	N	Steel	Zinc Nickel	16-19
M24308/2-285K	M2000/2-285K	Standard	50	N	N	Steel	Zinc Nickel	16-19
M24308/2-11K	M2000/2-11K	High Density	15	Socket	N	Steel	Zinc Nickel	16-19
M24308/2-12K	M2000/2-12K	High Density	26	Socket	N	Steel	Zinc Nickel	16-19
M24308/2-13K	M2000/2-13K	High Density	44	Socket	N	Steel	Zinc Nickel	16-19
M24308/2-14K	M2000/2-14K	High Density	62	Socket	N	Steel	Zinc Nickel	16-19
M24308/2-15K	M2000/2-15K	High Density	78	Socket	N	Steel	Zinc Nickel	16-19

* Y- Supplied w/ Connector, N: not supplied w/ Connector, N/A: Not Applicable

Finish: YP- Yellow Passivation

Military	Manufacturers Designation	Type	No. Of Pins	*Contact	*IR	Shell Material	Finish	Pg.
M24308/2-16K	M2000/2-16K	High Density	104	Socket	N	Steel	Zinc Nickel	16-19
M24308/2-17K	M2000/2-17K	High Density	15	Socket	Y	Steel	Zinc Nickel	16-19
M24308/2-18K	M2000/2-18K	High Density	26	Socket	Y	Steel	Zinc Nickel	16-19
M24308/2-19K	M2000/2-19K	High Density	44	Socket	Y	Steel	Zinc Nickel	16-19
M24308/2-20K	M2000/2-20K	High Density	62	Socket	Y	Steel	Zinc Nickel	16-19
M24308/2-21K	M2000/2-21K	High Density	78	Socket	Y	Steel	Zinc Nickel	16-19
M24308/2-22K	M2000/2-22K	High Density	104	Socket	Y	Steel	Zinc Nickel	16-19
M24308/2-286K	M2000/2-286K	High Density	15	N	N	Steel	Zinc Nickel	16-19
M24308/2-287K	M2000/2-287K	High Density	26	N	N	Steel	Zinc Nickel	16-19
M24308/2-288K	M2000/2-288K	High Density	44	N	N	Steel	Zinc Nickel	16-19
M24308/2-289K	M2000/2-289K	High Density	62	N	N	Steel	Zinc Nickel	16-19
M24308/2-290K	M2000/2-290K	High Density	78	N	N	Steel	Zinc Nickel	16-19
M24308/2-291K	M2000/2-291K	High Density	104	N	N	Steel	Zinc Nickel	16-19
M24308/2-516	M2000/2-516	Standard	9	Socket	N	Steel	Nickel	16-19
M24308/2-517	M2000/2-517	Standard	15	Socket	N	Steel	Nickel	16-19
M24308/2-518	M2000/2-518	Standard	25	Socket	N	Steel	Nickel	16-19
M24308/2-519	M2000/2-519	Standard	37	Socket	N	Steel	Nickel	16-19
M24308/2-520	M2000/2-520	Standard	50	Socket	N	Steel	Nickel	16-19
M24308/2-521	M2000/2-521	Standard	9	Socket	Y	Steel	Nickel	16-19
M24308/2-522	M2000/2-522	Standard	15	Socket	Y	Steel	Nickel	16-19
M24308/2-523	M2000/2-523	Standard	25	Socket	Y	Steel	Nickel	16-19
M24308/2-524	M2000/2-524	Standard	37	Socket	Y	Steel	Nickel	16-19
M24308/2-525	M2000/2-525	Standard	50	Socket	Y	Steel	Nickel	16-19
M24308/2-560	M2000/2-560	Standard	9	N	N	Steel	Nickel	16-19
M24308/2-561	M2000/2-561	Standard	15	N	N	Steel	Nickel	16-19
M24308/2-562	M2000/2-562	Standard	25	N	N	Steel	Nickel	16-19
M24308/2-563	M2000/2-563	Standard	37	N	N	Steel	Nickel	16-19
M24308/2-564	M2000/2-564	Standard	50	N	N	Steel	Nickel	16-19
M24308/2-526	M2000/2-526	High Density	15	Socket	N	Steel	Nickel	16-19
M24308/2-527	M2000/2-527	High Density	26	Socket	N	Steel	Nickel	16-19
M24308/2-528	M2000/2-528	High Density	44	Socket	N	Steel	Nickel	16-19
M24308/2-529	M2000/2-529	High Density	62	Socket	N	Steel	Nickel	16-19
M24308/2-530	M2000/2-530	High Density	78	Socket	N	Steel	Nickel	16-19
M24308/2-531	M2000/2-531	High Density	104	Socket	N	Steel	Nickel	16-19
M24308/2-532	M2000/2-532	High Density	15	Socket	Y	Steel	Nickel	16-19
M24308/2-533	M2000/2-533	High Density	26	Socket	Y	Steel	Nickel	16-19
M24308/2-534	M2000/2-534	High Density	44	Socket	Y	Steel	Nickel	16-19
M24308/2-535	M2000/2-535	High Density	62	Socket	Y	Steel	Nickel	16-19
M24308/2-536	M2000/2-536	High Density	78	Socket	Y	Steel	Nickel	16-19
M24308/2-537	M2000/2-537	High Density	104	Socket	Y	Steel	Nickel	16-19
M24308/2-565	M2000/2-565	High Density	15	N	N	Steel	Nickel	16-19
M24308/2-566	M2000/2-566	High Density	26	N	N	Steel	Nickel	16-19
M24308/2-567	M2000/2-567	High Density	44	N	N	Steel	Nickel	16-19
M24308/2-568	M2000/2-568	High Density	62	N	N	Steel	Nickel	16-19
M24308/2-569	M2000/2-569	High Density	78	N	N	Steel	Nickel	16-19
M24308/2-570	M2000/2-570	High Density	104	N	N	Steel	Nickel	16-19

* Y- Supplied w/ Connector, N: not supplied w/ Connector, N/A: Not Applicable

Finish: YP- Yellow Passivation

Military	Manufacturers Designation	Type	No. Of Pins	*Contact	*IR	Shell Material	Finish	Pg.
M24308/2-23F	M2000/2-23F	Standard	9	Socket	N	Steel	Cadmium YP	16-19
M24308/2-24F	M2000/2-24F	Standard	15	Socket	N	Steel	Cadmium YP	16-19
M24308/2-25F	M2000/2-25F	Standard	25	Socket	N	Steel	Cadmium YP	16-19
M24308/2-26F	M2000/2-26F	Standard	37	Socket	N	Steel	Cadmium YP	16-19
M24308/2-27F	M2000/2-27F	Standard	50	Socket	N	Steel	Cadmium YP	16-19
M24308/2-34F	M2000/2-34F	Standard	9	Socket	Y	Steel	Cadmium YP	16-19
M24308/2-35F	M2000/2-35F	Standard	15	Socket	Y	Steel	Cadmium YP	16-19
M24308/2-36F	M2000/2-36F	Standard	25	Socket	Y	Steel	Cadmium YP	16-19
M24308/2-37F	M2000/2-37F	Standard	37	Socket	Y	Steel	Cadmium YP	16-19
M24308/2-38F	M2000/2-38F	Standard	50	Socket	Y	Steel	Cadmium YP	16-19
M24308/2-292F	M2000/2-292F	Standard	9	N	N	Steel	Cadmium YP	16-19
M24308/2-293F	M2000/2-293F	Standard	15	N	N	Steel	Cadmium YP	16-19
M24308/2-294F	M2000/2-294F	Standard	25	N	N	Steel	Cadmium YP	16-19
M24308/2-295F	M2000/2-295F	Standard	37	N	N	Steel	Cadmium YP	16-19
M24308/2-296F	M2000/2-296F	Standard	50	N	N	Steel	Cadmium YP	16-19
M24308/2-28F	M2000/2-28F	High Density	15	Socket	N	Steel	Cadmium YP	16-19
M24308/2-29F	M2000/2-29F	High Density	26	Socket	N	Steel	Cadmium YP	16-19
M24308/2-30F	M2000/2-30F	High Density	44	Socket	N	Steel	Cadmium YP	16-19
M24308/2-31F	M2000/2-31F	High Density	62	Socket	N	Steel	Cadmium YP	16-19
M24308/2-32F	M2000/2-32F	High Density	78	Socket	N	Steel	Cadmium YP	16-19
M24308/2-33F	M2000/2-33F	High Density	104	Socket	N	Steel	Cadmium YP	16-19
M24308/2-39F	M2000/2-39F	High Density	15	Socket	Y	Steel	Cadmium YP	16-19
M24308/2-40F	M2000/2-40F	High Density	26	Socket	Y	Steel	Cadmium YP	16-19
M24308/2-41F	M2000/2-41F	High Density	44	Socket	Y	Steel	Cadmium YP	16-19
M24308/2-42F	M2000/2-42F	High Density	62	Socket	Y	Steel	Cadmium YP	16-19
M24308/2-43F	M2000/2-43F	High Density	78	Socket	Y	Steel	Cadmium YP	16-19
M24308/2-44F	M2000/2-44F	High Density	104	Socket	Y	Steel	Cadmium YP	16-19
M24308/2-297F	M2000/2-297F	High Density	15	N	N	Steel	Cadmium YP	16-19
M24308/2-298F	M2000/2-298F	High Density	26	N	N	Steel	Cadmium YP	16-19
M24308/2-299F	M2000/2-299F	High Density	44	N	N	Steel	Cadmium YP	16-19
M24308/2-300F	M2000/2-300F	High Density	62	N	N	Steel	Cadmium YP	16-19
M24308/2-301F	M2000/2-301F	High Density	78	N	N	Steel	Cadmium YP	16-19
M24308/2-302F	M2000/2-302F	High Density	104	N	N	Steel	Cadmium YP	16-19
M24308/2-335F	M2000/2-335F	Standard	25	Socket	N	Steel	Cadmium YP	16-19
M24308/2-336F	M2000/2-336F	Standard	37	Socket	N	Steel	Cadmium YP	16-19
M24308/2-341F	M2000/2-341F	Standard	15	Socket	N	Steel	Cadmium YP	16-19
M24308/2-342F	M2000/2-342F	Standard	9	Socket	N	Steel	Cadmium YP	16-19
M24308/2-343F	M2000/2-343F	Standard	15	Socket	N	Steel	Cadmium YP	16-19
M24308/2-344F	M2000/2-344F	Standard	25	Socket	N	Steel	Cadmium YP	16-19
M24308/2-345F	M2000/2-345F	Standard	37	Socket	N	Steel	Cadmium YP	16-19
M24308/2-346F	M2000/2-346F	Standard	50	Socket	N	Steel	Cadmium YP	16-19
M24308/2-353F	M2000/2-353F	Standard	9	Socket	Y	Steel	Cadmium YP	16-19
M24308/2-354F	M2000/2-354F	Standard	15	Socket	Y	Steel	Cadmium YP	16-19
M24308/2-355F	M2000/2-355F	Standard	25	Socket	Y	Steel	Cadmium YP	16-19
M24308/2-356F	M2000/2-356F	Standard	37	Socket	Y	Steel	Cadmium YP	16-19
M24308/2-357F	M2000/2-357F	Standard	50	Socket	Y	Steel	Cadmium YP	16-19

* Y- Supplied w/ Connector, N: not supplied w/ Connector, N/A: Not Applicable

Finish: YP- Yellow Passivation

Military	Manufacturers Designation	Type	No. Of Pins	*Contact	*IR	Shell Material	Finish	Pg.
M24308/2-482F	M2000/2-482F	Standard	9	N	N	Steel	Cadmium YP	16-19
M24308/2-483F	M2000/2-483F	Standard	15	N	N	Steel	Cadmium YP	16-19
M24308/2-484F	M2000/2-484F	Standard	25	N	N	Steel	Cadmium YP	16-19
M24308/2-485F	M2000/2-485F	Standard	37	N	N	Steel	Cadmium YP	16-19
M24308/2-486F	M2000/2-486F	Standard	50	N	N	Steel	Cadmium YP	16-19
M24308/2-347F	M2000/2-347F	High Density	15	Socket	N	Steel	Cadmium YP	16-19
M24308/2-348F	M2000/2-348F	High Density	26	Socket	N	Steel	Cadmium YP	16-19
M24308/2-349F	M2000/2-349F	High Density	44	Socket	N	Steel	Cadmium YP	16-19
M24308/2-350F	M2000/2-350F	High Density	62	Socket	N	Steel	Cadmium YP	16-19
M24308/2-351F	M2000/2-351F	High Density	78	Socket	N	Steel	Cadmium YP	16-19
M24308/2-352F	M2000/2-352F	High Density	104	Socket	N	Steel	Cadmium YP	16-19
M24308/2-358F	M2000/2-358F	High Density	15	Socket	Y	Steel	Cadmium YP	16-19
M24308/2-359F	M2000/2-359F	High Density	26	Socket	Y	Steel	Cadmium YP	16-19
M24308/2-360F	M2000/2-360F	High Density	44	Socket	Y	Steel	Cadmium YP	16-19
M24308/2-361F	M2000/2-361F	High Density	62	Socket	Y	Steel	Cadmium YP	16-19
M24308/2-362F	M2000/2-362F	High Density	78	Socket	Y	Steel	Cadmium YP	16-19
M24308/2-363F	M2000/2-363F	High Density	104	Socket	Y	Steel	Cadmium YP	16-19
M24308/2-487F	M2000/2-487F	High Density	15	N	N	Steel	Cadmium YP	16-19
M24308/2-488F	M2000/2-488F	High Density	26	N	N	Steel	Cadmium YP	16-19
M24308/2-489F	M2000/2-489F	High Density	44	N	N	Steel	Cadmium YP	16-19
M24308/2-490F	M2000/2-490F	High Density	62	N	N	Steel	Cadmium YP	16-19
M24308/2-491F	M2000/2-491F	High Density	78	N	N	Steel	Cadmium YP	16-19
M24308/2-492F	M2000/2-492F	High Density	104	N	N	Steel	Cadmium YP	16-19
M24308/2-509F	M2000/2-509F	Standard	25	Socket	N	Steel	Cadmium YP	16-19
M24308/2-510F	M2000/2-510F	Standard	37	Socket	N	Steel	Cadmium YP	16-19
M24308/2-515F	M2000/2-515F	Standard	15	Socket	N	Steel	Cadmium YP	16-19
M24308/2-23Z	M2000/2-23Z	Standard	9	Socket	N	Steel	Zinc YP	16-19
M24308/2-24Z	M2000/2-24Z	Standard	15	Socket	N	Steel	Zinc YP	16-19
M24308/2-25Z	M2000/2-25Z	Standard	25	Socket	N	Steel	Zinc YP	16-19
M24308/2-26Z	M2000/2-26Z	Standard	37	Socket	N	Steel	Zinc YP	16-19
M24308/2-27Z	M2000/2-27Z	Standard	50	Socket	N	Steel	Zinc YP	16-19
M24308/2-34Z	M2000/2-34Z	Standard	9	Socket	Y	Steel	Zinc YP	16-19
M24308/2-35Z	M2000/2-35Z	Standard	15	Socket	Y	Steel	Zinc YP	16-19
M24308/2-36Z	M2000/2-36Z	Standard	25	Socket	Y	Steel	Zinc YP	16-19
M24308/2-37Z	M2000/2-37Z	Standard	37	Socket	Y	Steel	Zinc YP	16-19
M24308/2-38Z	M2000/2-38Z	Standard	50	Socket	Y	Steel	Zinc YP	16-19
M24308/2-292Z	M2000/2-292Z	Standard	9	N	N	Steel	Zinc YP	16-19
M24308/2-293Z	M2000/2-293Z	Standard	15	N	N	Steel	Zinc YP	16-19
M24308/2-294Z	M2000/2-294Z	Standard	25	N	N	Steel	Zinc YP	16-19
M24308/2-295Z	M2000/2-295Z	Standard	37	N	N	Steel	Zinc YP	16-19
M24308/2-296Z	M2000/2-296Z	Standard	50	N	N	Steel	Zinc YP	16-19
M24308/2-28Z	M2000/2-28Z	High Density	15	Socket	N	Steel	Zinc YP	16-19
M24308/2-29Z	M2000/2-29Z	High Density	26	Socket	N	Steel	Zinc YP	16-19
M24308/2-30Z	M2000/2-30Z	High Density	44	Socket	N	Steel	Zinc YP	16-19
M24308/2-31Z	M2000/2-31Z	High Density	62	Socket	N	Steel	Zinc YP	16-19
M24308/2-32Z	M2000/2-32Z	High Density	78	Socket	N	Steel	Zinc YP	16-19

* Y- Supplied w/ Connector, N: not supplied w/ Connector, N/A: Not Applicable

Finish: YP- Yellow Passivation

Military	Manufacturers Designation	Type	No. Of Pins	*Contact	*IR	Shell Material	Finish	Pg.
M24308/2-33Z	M2000/2-33Z	High Density	104	Socket	N	Steel	Zinc YP	16-19
M24308/2-39Z	M2000/2-39Z	High Density	15	Socket	Y	Steel	Zinc YP	16-19
M24308/2-40Z	M2000/2-40Z	High Density	26	Socket	Y	Steel	Zinc YP	16-19
M24308/2-41Z	M2000/2-41Z	High Density	44	Socket	Y	Steel	Zinc YP	16-19
M24308/2-42Z	M2000/2-42Z	High Density	62	Socket	Y	Steel	Zinc YP	16-19
M24308/2-43Z	M2000/2-43Z	High Density	78	Socket	Y	Steel	Zinc YP	16-19
M24308/2-44Z	M2000/2-44Z	High Density	104	Socket	Y	Steel	Zinc YP	16-19
M24308/2-297Z	M2000/2-297Z	High Density	15	N	N	Steel	Zinc YP	16-19
M24308/2-298Z	M2000/2-298Z	High Density	26	N	N	Steel	Zinc YP	16-19
M24308/2-299Z	M2000/2-299Z	High Density	44	N	N	Steel	Zinc YP	16-19
M24308/2-300Z	M2000/2-300Z	High Density	62	N	N	Steel	Zinc YP	16-19
M24308/2-301Z	M2000/2-301Z	High Density	78	N	N	Steel	Zinc YP	16-19
M24308/2-302Z	M2000/2-302Z	High Density	104	N	N	Steel	Zinc YP	16-19
M24308/2-335Z	M2000/2-335Z	Standard	25	Socket	N	Steel	Zinc YP	16-19
M24308/2-336Z	M2000/2-336Z	Standard	37	Socket	N	Steel	Zinc YP	16-19
M24308/2-341Z	M2000/2-341Z	Standard	15	Socket	N	Steel	Zinc YP	16-19
M24308/2-342Z	M2000/2-342Z	Standard	9	Socket	N	Steel	Zinc YP	16-19
M24308/2-343Z	M2000/2-343Z	Standard	15	Socket	N	Steel	Zinc YP	16-19
M24308/2-344Z	M2000/2-344Z	Standard	25	Socket	N	Steel	Zinc YP	16-19
M24308/2-345Z	M2000/2-345Z	Standard	37	Socket	N	Steel	Zinc YP	16-19
M24308/2-346Z	M2000/2-346Z	Standard	50	Socket	N	Steel	Zinc YP	16-19
M24308/2-353Z	M2000/2-353Z	Standard	9	Socket	Y	Steel	Zinc YP	16-19
M24308/2-354Z	M2000/2-354Z	Standard	15	Socket	Y	Steel	Zinc YP	16-19
M24308/2-355Z	M2000/2-355Z	Standard	25	Socket	Y	Steel	Zinc YP	16-19
M24308/2-356Z	M2000/2-356Z	Standard	37	Socket	Y	Steel	Zinc YP	16-19
M24308/2-357Z	M2000/2-357Z	Standard	50	Socket	Y	Steel	Zinc YP	16-19
M24308/2-482Z	M2000/2-482Z	Standard	9	N	N	Steel	Zinc YP	16-19
M24308/2-483Z	M2000/2-483Z	Standard	15	N	N	Steel	Zinc YP	16-19
M24308/2-484Z	M2000/2-484Z	Standard	25	N	N	Steel	Zinc YP	16-19
M24308/2-485Z	M2000/2-485Z	Standard	37	N	N	Steel	Zinc YP	16-19
M24308/2-486Z	M2000/2-486Z	Standard	50	N	N	Steel	Zinc YP	16-19
M24308/2-347Z	M2000/2-347Z	High Density	15	Socket	N	Steel	Zinc YP	16-19
M24308/2-348Z	M2000/2-348Z	High Density	26	Socket	N	Steel	Zinc YP	16-19
M24308/2-349Z	M2000/2-349Z	High Density	44	Socket	N	Steel	Zinc YP	16-19
M24308/2-350Z	M2000/2-350Z	High Density	62	Socket	N	Steel	Zinc YP	16-19
M24308/2-351Z	M2000/2-351Z	High Density	78	Socket	N	Steel	Zinc YP	16-19
M24308/2-352Z	M2000/2-352Z	High Density	104	Socket	N	Steel	Zinc YP	16-19
M24308/2-358Z	M2000/2-358Z	High Density	15	Socket	Y	Steel	Zinc YP	16-19
M24308/2-359Z	M2000/2-359Z	High Density	26	Socket	Y	Steel	Zinc YP	16-19
M24308/2-360Z	M2000/2-360Z	High Density	44	Socket	Y	Steel	Zinc YP	16-19
M24308/2-361Z	M2000/2-361Z	High Density	62	Socket	Y	Steel	Zinc YP	16-19
M24308/2-362Z	M2000/2-362Z	High Density	78	Socket	Y	Steel	Zinc YP	16-19
M24308/2-363Z	M2000/2-363Z	High Density	104	Socket	Y	Steel	Zinc YP	16-19
M24308/2-487Z	M2000/2-487Z	High Density	15	N	N	Steel	Zinc YP	16-19
M24308/2-488Z	M2000/2-488Z	High Density	26	N	N	Steel	Zinc YP	16-19
M24308/2-489Z	M2000/2-489Z	High Density	44	N	N	Steel	Zinc YP	16-19

* Y- Supplied w/ Connector, N: not supplied w/ Connector, N/A: Not Applicable

Finish: YP- Yellow Passivation

Military	Manufacturers Designation	Type	No. Of Pins	*Contact	*IR	Shell Material	Finish	Pg.
M24308/2-490Z	M2000/2-490Z	High Density	62	N	N	Steel	Zinc YP	16-19
M24308/2-491Z	M2000/2-491Z	High Density	78	N	N	Steel	Zinc YP	16-19
M24308/2-492Z	M2000/2-492Z	High Density	104	N	N	Steel	Zinc YP	16-19
M24308/2-509Z	M2000/2-509Z	Standard	25	Socket	N	Steel	Zinc YP	16-19
M24308/2-510Z	M2000/2-510Z	Standard	37	Socket	N	Steel	Zinc YP	16-19
M24308/2-515Z	M2000/2-515Z	Standard	15	Socket	N	Steel	Zinc YP	16-19
M24308/2-23K	M2000/2-23K	Standard	9	Socket	N	Steel	Zinc Nickel	16-19
M24308/2-24K	M2000/2-24K	Standard	15	Socket	N	Steel	Zinc Nickel	16-19
M24308/2-25K	M2000/2-25K	Standard	25	Socket	N	Steel	Zinc Nickel	16-19
M24308/2-26K	M2000/2-26K	Standard	37	Socket	N	Steel	Zinc Nickel	16-19
M24308/2-27K	M2000/2-27K	Standard	50	Socket	N	Steel	Zinc Nickel	16-19
M24308/2-34K	M2000/2-34K	Standard	9	Socket	Y	Steel	Zinc Nickel	16-19
M24308/2-35K	M2000/2-35K	Standard	15	Socket	Y	Steel	Zinc Nickel	16-19
M24308/2-36K	M2000/2-36K	Standard	25	Socket	Y	Steel	Zinc Nickel	16-19
M24308/2-37K	M2000/2-37K	Standard	37	Socket	Y	Steel	Zinc Nickel	16-19
M24308/2-38K	M2000/2-38K	Standard	50	Socket	Y	Steel	Zinc Nickel	16-19
M24308/2-292K	M2000/2-292K	Standard	9	N	N	Steel	Zinc Nickel	16-19
M24308/2-293K	M2000/2-293K	Standard	15	N	N	Steel	Zinc Nickel	16-19
M24308/2-294K	M2000/2-294K	Standard	25	N	N	Steel	Zinc Nickel	16-19
M24308/2-295K	M2000/2-295K	Standard	37	N	N	Steel	Zinc Nickel	16-19
M24308/2-296K	M2000/2-296K	Standard	50	N	N	Steel	Zinc Nickel	16-19
M24308/2-28K	M2000/2-28K	High Density	15	Socket	N	Steel	Zinc Nickel	16-19
M24308/2-29K	M2000/2-29K	High Density	26	Socket	N	Steel	Zinc Nickel	16-19
M24308/2-30K	M2000/2-30K	High Density	44	Socket	N	Steel	Zinc Nickel	16-19
M24308/2-31K	M2000/2-31K	High Density	62	Socket	N	Steel	Zinc Nickel	16-19
M24308/2-32K	M2000/2-32K	High Density	78	Socket	N	Steel	Zinc Nickel	16-19
M24308/2-33K	M2000/2-33K	High Density	104	Socket	N	Steel	Zinc Nickel	16-19
M24308/2-39K	M2000/2-39K	High Density	15	Socket	Y	Steel	Zinc Nickel	16-19
M24308/2-40K	M2000/2-40K	High Density	26	Socket	Y	Steel	Zinc Nickel	16-19
M24308/2-41K	M2000/2-41K	High Density	44	Socket	Y	Steel	Zinc Nickel	16-19
M24308/2-42K	M2000/2-42K	High Density	62	Socket	Y	Steel	Zinc Nickel	16-19
M24308/2-43K	M2000/2-43K	High Density	78	Socket	Y	Steel	Zinc Nickel	16-19
M24308/2-44K	M2000/2-44K	High Density	104	Socket	Y	Steel	Zinc Nickel	16-19
M24308/2-297K	M2000/2-297K	High Density	15	N	N	Steel	Zinc Nickel	16-19
M24308/2-298K	M2000/2-298K	High Density	26	N	N	Steel	Zinc Nickel	16-19
M24308/2-299K	M2000/2-299K	High Density	44	N	N	Steel	Zinc Nickel	16-19
M24308/2-300K	M2000/2-300K	High Density	62	N	N	Steel	Zinc Nickel	16-19
M24308/2-301K	M2000/2-301K	High Density	78	N	N	Steel	Zinc Nickel	16-19
M24308/2-302K	M2000/2-302K	High Density	104	N	N	Steel	Zinc Nickel	16-19
M24308/2-335K	M2000/2-335K	Standard	25	Socket	N	Steel	Zinc Nickel	16-19
M24308/2-336K	M2000/2-336K	Standard	37	Socket	N	Steel	Zinc Nickel	16-19
M24308/2-341K	M2000/2-341K	Standard	15	Socket	N	Steel	Zinc Nickel	16-19
M24308/2-342K	M2000/2-342K	Standard	9	Socket	N	Steel	Zinc Nickel	16-19
M24308/2-343K	M2000/2-343K	Standard	15	Socket	N	Steel	Zinc Nickel	16-19
M24308/2-344K	M2000/2-344K	Standard	25	Socket	N	Steel	Zinc Nickel	16-19
M24308/2-345K	M2000/2-345K	Standard	37	Socket	N	Steel	Zinc Nickel	16-19

* Y- Supplied w/ Connector, N: not supplied w/ Connector, N/A: Not Applicable

Finish: YP- Yellow Passivation

Military	Manufacturers Designation	Type	No. Of Pins	*Contact	*IR	Shell Material	Finish	Pg.
M24308/2-346K	M2000/2-346K	Standard	50	Socket	N	Steel	Zinc Nickel	16-19
M24308/2-353K	M2000/2-353K	Standard	9	Socket	Y	Steel	Zinc Nickel	16-19
M24308/2-354K	M2000/2-354K	Standard	15	Socket	Y	Steel	Zinc Nickel	16-19
M24308/2-355K	M2000/2-355K	Standard	25	Socket	Y	Steel	Zinc Nickel	16-19
M24308/2-356K	M2000/2-356K	Standard	37	Socket	Y	Steel	Zinc Nickel	16-19
M24308/2-357K	M2000/2-357K	Standard	50	Socket	Y	Steel	Zinc Nickel	16-19
M24308/2-482K	M2000/2-482K	Standard	9	N	N	Steel	Zinc Nickel	16-19
M24308/2-483K	M2000/2-483K	Standard	15	N	N	Steel	Zinc Nickel	16-19
M24308/2-484K	M2000/2-484K	Standard	25	N	N	Steel	Zinc Nickel	16-19
M24308/2-485K	M2000/2-485K	Standard	37	N	N	Steel	Zinc Nickel	16-19
M24308/2-486K	M2000/2-486K	Standard	50	N	N	Steel	Zinc Nickel	16-19
M24308/2-347K	M2000/2-347K	High Density	15	Socket	N	Steel	Zinc Nickel	16-19
M24308/2-348K	M2000/2-348K	High Density	26	Socket	N	Steel	Zinc Nickel	16-19
M24308/2-349K	M2000/2-349K	High Density	44	Socket	N	Steel	Zinc Nickel	16-19
M24308/2-350K	M2000/2-350K	High Density	62	Socket	N	Steel	Zinc Nickel	16-19
M24308/2-351K	M2000/2-351K	High Density	78	Socket	N	Steel	Zinc Nickel	16-19
M24308/2-352K	M2000/2-352K	High Density	104	Socket	N	Steel	Zinc Nickel	16-19
M24308/2-358K	M2000/2-358K	High Density	15	Socket	Y	Steel	Zinc Nickel	16-19
M24308/2-359K	M2000/2-359K	High Density	26	Socket	Y	Steel	Zinc Nickel	16-19
M24308/2-360K	M2000/2-360K	High Density	44	Socket	Y	Steel	Zinc Nickel	16-19
M24308/2-361K	M2000/2-361K	High Density	62	Socket	Y	Steel	Zinc Nickel	16-19
M24308/2-362K	M2000/2-362K	High Density	78	Socket	Y	Steel	Zinc Nickel	16-19
M24308/2-363K	M2000/2-363K	High Density	104	Socket	Y	Steel	Zinc Nickel	16-19
M24308/2-487K	M2000/2-487K	High Density	15	N	N	Steel	Zinc Nickel	16-19
M24308/2-488K	M2000/2-488K	High Density	26	N	N	Steel	Zinc Nickel	16-19
M24308/2-489K	M2000/2-489K	High Density	44	N	N	Steel	Zinc Nickel	16-19
M24308/2-490K	M2000/2-490K	High Density	62	N	N	Steel	Zinc Nickel	16-19
M24308/2-491K	M2000/2-491K	High Density	78	N	N	Steel	Zinc Nickel	16-19
M24308/2-492K	M2000/2-492K	High Density	104	N	N	Steel	Zinc Nickel	16-19
M24308/2-509K	M2000/2-509K	Standard	25	Socket	N	Steel	Zinc Nickel	16-19
M24308/2-510K	M2000/2-510K	Standard	37	Socket	N	Steel	Zinc Nickel	16-19
M24308/2-515K	M2000/2-515K	Standard	15	Socket	N	Steel	Zinc Nickel	16-19
M24308/2-538	M2000/2-538	Standard	9	Socket	N	Steel	Nickel	16-19
M24308/2-539	M2000/2-539	Standard	15	Socket	N	Steel	Nickel	16-19
M24308/2-540	M2000/2-540	Standard	25	Socket	N	Steel	Nickel	16-19
M24308/2-541	M2000/2-541	Standard	37	Socket	N	Steel	Nickel	16-19
M24308/2-542	M2000/2-542	Standard	50	Socket	N	Steel	Nickel	16-19
M24308/2-549	M2000/2-549	Standard	9	Socket	Y	Steel	Nickel	16-19
M24308/2-550	M2000/2-550	Standard	15	Socket	Y	Steel	Nickel	16-19
M24308/2-551	M2000/2-551	Standard	25	Socket	Y	Steel	Nickel	16-19
M24308/2-552	M2000/2-552	Standard	37	Socket	Y	Steel	Nickel	16-19
M24308/2-553	M2000/2-553	Standard	50	Socket	Y	Steel	Nickel	16-19
M24308/2-571	M2000/2-571	Standard	9	N	N	Steel	Nickel	16-19
M24308/2-572	M2000/2-572	Standard	15	N	N	Steel	Nickel	16-19
M24308/2-573	M2000/2-573	Standard	25	N	N	Steel	Nickel	16-19
M24308/2-574	M2000/2-574	Standard	37	N	N	Steel	Nickel	16-19

* Y- Supplied w/ Connector, N: not supplied w/ Connector, N/A: Not Applicable

Finish: YP- Yellow Passivation

Military	Manufacturers Designation	Type	No. Of Pins	*Contact	*IR	Shell Material	Finish	Pg.
M24308/2-575	M2000/2-575	Standard	50	N	N	Steel	Nickel	16-19
M24308/2-543	M2000/2-543	High Density	15	Socket	N	Steel	Nickel	16-19
M24308/2-544	M2000/2-544	High Density	26	Socket	N	Steel	Nickel	16-19
M24308/2-545	M2000/2-545	High Density	44	Socket	N	Steel	Nickel	16-19
M24308/2-546	M2000/2-546	High Density	62	Socket	N	Steel	Nickel	16-19
M24308/2-547	M2000/2-547	High Density	78	Socket	N	Steel	Nickel	16-19
M24308/2-548	M2000/2-548	High Density	104	Socket	N	Steel	Nickel	16-19
M24308/2-554	M2000/2-554	High Density	15	Socket	Y	Steel	Nickel	16-19
M24308/2-555	M2000/2-555	High Density	26	Socket	Y	Steel	Nickel	16-19
M24308/2-556	M2000/2-556	High Density	44	Socket	Y	Steel	Nickel	16-19
M24308/2-557	M2000/2-557	High Density	62	Socket	Y	Steel	Nickel	16-19
M24308/2-558	M2000/2-558	High Density	78	Socket	Y	Steel	Nickel	16-19
M24308/2-559	M2000/2-559	High Density	104	Socket	Y	Steel	Nickel	16-19
M24308/2-576	M2000/2-576	High Density	15	N	N	Steel	Nickel	16-19
M24308/2-577	M2000/2-577	High Density	26	N	N	Steel	Nickel	16-19
M24308/2-578	M2000/2-578	High Density	44	N	N	Steel	Nickel	16-19
M24308/2-579	M2000/2-579	High Density	62	N	N	Steel	Nickel	16-19
M24308/2-580	M2000/2-580	High Density	78	N	N	Steel	Nickel	16-19
M24308/2-581	M2000/2-581	High Density	104	N	N	Steel	Nickel	16-19
M24308/2-582	M2000/2-582	Standard	25	Socket	N	Steel	Nickel	16-19
M24308/2-583	M2000/2-583	Standard	37	Socket	N	Steel	Nickel	16-19
M24308/2-584	M2000/2-584	Standard	15	Socket	N	Steel	Nickel	16-19
M24308/2-585	M2000/2-585	Standard	9	Socket	N	Steel	Nickel	16-19
M24308/2-586	M2000/2-586	Standard	15	Socket	N	Steel	Nickel	16-19
M24308/2-587	M2000/2-587	Standard	25	Socket	N	Steel	Nickel	16-19
M24308/2-588	M2000/2-588	Standard	37	Socket	N	Steel	Nickel	16-19
M24308/2-589	M2000/2-589	Standard	50	Socket	N	Steel	Nickel	16-19
M24308/2-596	M2000/2-596	Standard	9	Socket	Y	Steel	Nickel	16-19
M24308/2-597	M2000/2-597	Standard	15	Socket	Y	Steel	Nickel	16-19
M24308/2-598	M2000/2-598	Standard	25	Socket	Y	Steel	Nickel	16-19
M24308/2-599	M2000/2-599	Standard	37	Socket	Y	Steel	Nickel	16-19
M24308/2-600	M2000/2-600	Standard	50	Socket	Y	Steel	Nickel	16-19
M24308/2-607	M2000/2-607	Standard	9	N	N	Steel	Nickel	16-19
M24308/2-608	M2000/2-608	Standard	15	N	N	Steel	Nickel	16-19
M24308/2-609	M2000/2-609	Standard	25	N	N	Steel	Nickel	16-19
M24308/2-610	M2000/2-610	Standard	37	N	N	Steel	Nickel	16-19
M24308/2-611	M2000/2-611	Standard	50	N	N	Steel	Nickel	16-19
M24308/2-590	M2000/2-590	High Density	15	Socket	N	Steel	Nickel	16-19
M24308/2-591	M2000/2-591	High Density	26	Socket	N	Steel	Nickel	16-19
M24308/2-592	M2000/2-592	High Density	44	Socket	N	Steel	Nickel	16-19
M24308/2-593	M2000/2-593	High Density	62	Socket	N	Steel	Nickel	16-19
M24308/2-594	M2000/2-594	High Density	78	Socket	N	Steel	Nickel	16-19
M24308/2-595	M2000/2-595	High Density	104	Socket	N	Steel	Nickel	16-19
M24308/2-601	M2000/2-601	High Density	15	Socket	Y	Steel	Nickel	16-19
M24308/2-602	M2000/2-602	High Density	26	Socket	Y	Steel	Nickel	16-19
M24308/2-603	M2000/2-603	High Density	44	Socket	Y	Steel	Nickel	16-19

* Y- Supplied w/ Connector, N: not supplied w/ Connector, N/A: Not Applicable

Finish: YP- Yellow Passivation

Military	Manufacturers Designation	Type	No. Of Pins	*Contact	*IR	Shell Material	Finish	Pg.
M24308/2-604	M2000/2-604	High Density	62	Socket	Y	Steel	Nickel	16-19
M24308/2-605	M2000/2-605	High Density	78	Socket	Y	Steel	Nickel	16-19
M24308/2-606	M2000/2-606	High Density	104	Socket	Y	Steel	Nickel	16-19
M24308/2-612	M2000/2-612	High Density	15	N	N	Steel	Nickel	16-19
M24308/2-613	M2000/2-613	High Density	26	N	N	Steel	Nickel	16-19
M24308/2-614	M2000/2-614	High Density	44	N	N	Steel	Nickel	16-19
M24308/2-615	M2000/2-615	High Density	62	N	N	Steel	Nickel	16-19
M24308/2-616	M2000/2-616	High Density	78	N	N	Steel	Nickel	16-19
M24308/2-617	M2000/2-617	High Density	104	N	N	Steel	Nickel	16-19
M24308/2-621	M2000/2-621	Standard	25	Socket	N	Steel	Nickel	16-19
M24308/2-622	M2000/2-622	Standard	37	Socket	N	Steel	Nickel	16-19
M24308/2-627	M2000/2-627	Standard	15	Socket	N	Steel	Nickel	16-19
M24308/3-12Z	M2000/3-12Z	Standard	9	Pin	N/A	Steel	Zinc YP	20-21
M24308/3-13Z	M2000/3-13Z	Standard	15	Pin	N/A	Steel	Zinc YP	20-21
M24308/3-14Z	M2000/3-14Z	Standard	25	Pin	N/A	Steel	Zinc YP	20-21
M24308/3-15Z	M2000/3-15Z	Standard	37	Pin	N/A	Steel	Zinc YP	20-21
M24308/3-16Z	M2000/3-16Z	Standard	50	Pin	N/A	Steel	Zinc YP	20-21
M24308/3-17Z	M2000/3-17Z	Standard	9	Pin	N/A	Steel	Zinc YP	20-21
M24308/3-18Z	M2000/3-18Z	Standard	15	Pin	N/A	Steel	Zinc YP	20-21
M24308/3-19Z	M2000/3-19Z	Standard	25	Pin	N/A	Steel	Zinc YP	20-21
M24308/3-20Z	M2000/3-20Z	Standard	37	Pin	N/A	Steel	Zinc YP	20-21
M24308/3-21Z	M2000/3-21Z	Standard	50	Pin	N/A	Steel	Zinc YP	20-21
M24308/3-12K	M2000/3-12K	Standard	9	Pin	N/A	Steel	Zinc Nickel	20-21
M24308/3-13K	M2000/3-13K	Standard	15	Pin	N/A	Steel	Zinc Nickel	20-21
M24308/3-14K	M2000/3-14K	Standard	25	Pin	N/A	Steel	Zinc Nickel	20-21
M24308/3-15K	M2000/3-15K	Standard	37	Pin	N/A	Steel	Zinc Nickel	20-21
M24308/3-16K	M2000/3-16K	Standard	50	Pin	N/A	Steel	Zinc Nickel	20-21
M24308/3-17K	M2000/3-17K	Standard	9	Pin	N/A	Steel	Zinc Nickel	20-21
M24308/3-18K	M2000/3-18K	Standard	15	Pin	N/A	Steel	Zinc Nickel	20-21
M24308/3-19K	M2000/3-19K	Standard	25	Pin	N/A	Steel	Zinc Nickel	20-21
M24308/3-20K	M2000/3-20K	Standard	37	Pin	N/A	Steel	Zinc Nickel	20-21
M24308/3-21K	M2000/3-21K	Standard	50	Pin	N/A	Steel	Zinc Nickel	20-21
M24308/3-34	M2000/3-34	Standard	9	Pin	N/A	Steel	Nickel	20-21
M24308/3-35	M2000/3-35	Standard	15	Pin	N/A	Steel	Nickel	20-21
M24308/3-36	M2000/3-36	Standard	25	Pin	N/A	Steel	Nickel	20-21
M24308/3-37	M2000/3-37	Standard	37	Pin	N/A	Steel	Nickel	20-21
M24308/3-38	M2000/3-38	Standard	50	Pin	N/A	Steel	Nickel	20-21
M24308/3-39	M2000/3-39	Standard	9	Pin	N/A	Steel	Nickel	20-21
M24308/3-40	M2000/3-40	Standard	15	Pin	N/A	Steel	Nickel	20-21
M24308/3-41	M2000/3-41	Standard	25	Pin	N/A	Steel	Nickel	20-21
M24308/3-42	M2000/3-42	Standard	37	Pin	N/A	Steel	Nickel	20-21
M24308/3-43	M2000/3-43	Standard	50	Pin	N/A	Steel	Nickel	20-21
M24308/3-1F	M2000/3-1F	Standard	9	Pin	N/A	Steel	Cadmium YP	20-21
M24308/3-2F	M2000/3-2F	Standard	15	Pin	N/A	Steel	Cadmium YP	20-21
M24308/3-3F	M2000/3-3F	Standard	25	Pin	N/A	Steel	Cadmium YP	20-21
M24308/3-4F	M2000/3-4F	Standard	37	Pin	N/A	Steel	Cadmium YP	20-21

* Y- Supplied w/ Connector, N: not supplied w/ Connector, N/A: Not Applicable
Finish: YP- Yellow Passivation

Military	Manufacturers Designation	Type	No. Of Pins	*Contact	*IR	Shell Material	Finish	Pg.
M24308/3-5F	M2000/3-5F	Standard	50	Pin	N/A	Steel	Cadmium YP	20-21
M24308/3-1Z	M2000/3-1Z	Standard	9	Pin	N/A	Steel	Zinc YP	20-21
M24308/3-2Z	M2000/3-2Z	Standard	15	Pin	N/A	Steel	Zinc YP	20-21
M24308/3-3Z	M2000/3-3Z	Standard	25	Pin	N/A	Steel	Zinc YP	20-21
M24308/3-4Z	M2000/3-4Z	Standard	37	Pin	N/A	Steel	Zinc YP	20-21
M24308/3-5Z	M2000/3-5Z	Standard	50	Pin	N/A	Steel	Zinc YP	20-21
M24308/3-23	M2000/3-23	Standard	9	Pin	N/A	Steel	Nickel	20-21
M24308/3-24	M2000/3-24	Standard	15	Pin	N/A	Steel	Nickel	20-21
M24308/3-25	M2000/3-25	Standard	25	Pin	N/A	Steel	Nickel	20-21
M24308/3-26	M2000/3-26	Standard	37	Pin	N/A	Steel	Nickel	20-21
M24308/3-27	M2000/3-27	Standard	50	Pin	N/A	Steel	Nickel	20-21
M24308/3-1K	M2000/3-1K	Standard	9	Pin	N/A	Steel	Zinc Nickel Black	20-21
M24308/3-2K	M2000/3-2K	Standard	15	Pin	N/A	Steel	Zinc Nickel Black	20-21
M24308/3-3K	M2000/3-3K	Standard	25	Pin	N/A	Steel	Zinc Nickel Black	20-21
M24308/3-4K	M2000/3-4K	Standard	37	Pin	N/A	Steel	Zinc Nickel Black	20-21
M24308/3-5K	M2000/3-5K	Standard	50	Pin	N/A	Steel	Zinc Nickel Black	20-21
M24308/3-5K	M2000/4-1F	Standard	9	Pin	N	Steel	Cadmium YP	20-21
M24308/4-2F	M2000/4-2F	Standard	15	Pin	N	Steel	Cadmium YP	16-19
M24308/4-3F	M2000/4-3F	Standard	25	Pin	N	Steel	Cadmium YP	16-19
M24308/4-4F	M2000/4-4F	Standard	37	Pin	N	Steel	Cadmium YP	16-19
M24308/4-5F	M2000/4-5F	Standard	50	Pin	N	Steel	Cadmium YP	16-19
M24308/4-6F	M2000/4-6F	Standard	9	Pin	Y	Steel	Cadmium YP	16-19
M24308/4-7F	M2000/4-7F	Standard	15	Pin	Y	Steel	Cadmium YP	16-19
M24308/4-8F	M2000/4-8F	Standard	25	Pin	Y	Steel	Cadmium YP	16-19
M24308/4-9F	M2000/4-9F	Standard	37	Pin	Y	Steel	Cadmium YP	16-19
M24308/4-10F	M2000/4-10F	Standard	50	Pin	Y	Steel	Cadmium YP	16-19
M24308/4-259F	M2000/4-259F	Standard	9	N	N	Steel	Cadmium YP	16-19
M24308/4-260F	M2000/4-260F	Standard	15	N	N	Steel	Cadmium YP	16-19
M24308/4-261F	M2000/4-261F	Standard	25	N	N	Steel	Cadmium YP	16-19
M24308/4-262F	M2000/4-262F	Standard	37	N	N	Steel	Cadmium YP	16-19
M24308/4-263F	M2000/4-263F	Standard	50	N	N	Steel	Cadmium YP	16-19
M24308/4-11F	M2000/4-11F	High Density	15	Pin	N	Steel	Cadmium YP	16-19
M24308/4-12F	M2000/4-12F	High Density	26	Pin	N	Steel	Cadmium YP	16-19
M24308/4-13F	M2000/4-13F	High Density	44	Pin	N	Steel	Cadmium YP	16-19
M24308/4-14F	M2000/4-14F	High Density	62	Pin	N	Steel	Cadmium YP	16-19
M24308/4-15F	M2000/4-15F	High Density	78	Pin	N	Steel	Cadmium YP	16-19
M24308/4-16F	M2000/4-16F	High Density	104	Pin	N	Steel	Cadmium YP	16-19
M24308/4-17F	M2000/4-17F	High Density	15	Pin	Y	Steel	Cadmium YP	16-19
M24308/4-18F	M2000/4-18F	High Density	26	Pin	Y	Steel	Cadmium YP	16-19
M24308/4-19F	M2000/4-19F	High Density	44	Pin	Y	Steel	Cadmium YP	16-19
M24308/4-20F	M2000/4-20F	High Density	62	Pin	Y	Steel	Cadmium YP	16-19
M24308/4-21F	M2000/4-21F	High Density	78	Pin	Y	Steel	Cadmium YP	16-19
M24308/4-22F	M2000/4-22F	High Density	104	Pin	Y	Steel	Cadmium YP	16-19
M24308/4-264F	M2000/4-264F	High Density	15	N	N	Steel	Cadmium YP	16-19
M24308/4-265F	M2000/4-265F	High Density	26	N	N	Steel	Cadmium YP	16-19
M24308/4-266F	M2000/4-266F	High Density	44	N	N	Steel	Cadmium YP	16-19

* Y- Supplied w/ Connector, N: not supplied w/ Connector, N/A: Not Applicable
Finish: YP- Yellow Passivation

Military	Manufacturers Designation	Type	No. Of Pins	*Contact	*IR	Shell Material	Finish	Pg.
M24308/4-267F	M2000/4-267F	High Density	62	N	N	Steel	Cadmium YP	16-19
M24308/4-268F	M2000/4-268F	High Density	78	N	N	Steel	Cadmium YP	16-19
M24308/4-269F	M2000/4-269F	High Density	104	N	N	Steel	Cadmium YP	16-19
M24308/4-1Z	M2000/4-1Z	Standard	9	Pin	N	Steel	Zinc YP	16-19
M24308/4-2Z	M2000/4-2Z	Standard	15	Pin	N	Steel	Zinc YP	16-19
M24308/4-3Z	M2000/4-3Z	Standard	25	Pin	N	Steel	Zinc YP	16-19
M24308/4-4Z	M2000/4-4Z	Standard	37	Pin	N	Steel	Zinc YP	16-19
M24308/4-5Z	M2000/4-5Z	Standard	50	Pin	N	Steel	Zinc YP	16-19
M24308/4-6Z	M2000/4-6Z	Standard	9	Pin	Y	Steel	Zinc YP	16-19
M24308/4-7Z	M2000/4-7Z	Standard	15	Pin	Y	Steel	Zinc YP	16-19
M24308/4-8Z	M2000/4-8Z	Standard	25	Pin	Y	Steel	Zinc YP	16-19
M24308/4-9Z	M2000/4-9Z	Standard	37	Pin	Y	Steel	Zinc YP	16-19
M24308/4-10Z	M2000/4-10Z	Standard	50	Pin	Y	Steel	Zinc YP	16-19
M24308/4-259Z	M2000/4-259Z	Standard	9	N	N	Steel	Zinc YP	16-19
M24308/4-260Z	M2000/4-260Z	Standard	15	N	N	Steel	Zinc YP	16-19
M24308/4-261Z	M2000/4-261Z	Standard	25	N	N	Steel	Zinc YP	16-19
M24308/4-262Z	M2000/4-262Z	Standard	37	N	N	Steel	Zinc YP	16-19
M24308/4-263Z	M2000/4-263Z	Standard	50	N	N	Steel	Zinc YP	16-19
M24308/4-11Z	M2000/4-11Z	High Density	15	Pin	N	Steel	Zinc YP	16-19
M24308/4-12Z	M2000/4-12Z	High Density	26	Pin	N	Steel	Zinc YP	16-19
M24308/4-13Z	M2000/4-13Z	High Density	44	Pin	N	Steel	Zinc YP	16-19
M24308/4-14Z	M2000/4-14Z	High Density	62	Pin	N	Steel	Zinc YP	16-19
M24308/4-15Z	M2000/4-15Z	High Density	78	Pin	N	Steel	Zinc YP	16-19
M24308/4-16Z	M2000/4-16Z	High Density	104	Pin	N	Steel	Zinc YP	16-19
M24308/4-17Z	M2000/4-17Z	High Density	15	Pin	Y	Steel	Zinc YP	16-19
M24308/4-18Z	M2000/4-18Z	High Density	26	Pin	Y	Steel	Zinc YP	16-19
M24308/4-19Z	M2000/4-19Z	High Density	44	Pin	Y	Steel	Zinc YP	16-19
M24308/4-20Z	M2000/4-20Z	High Density	62	Pin	Y	Steel	Zinc YP	16-19
M24308/4-21Z	M2000/4-21Z	High Density	78	Pin	Y	Steel	Zinc YP	16-19
M24308/4-22Z	M2000/4-22Z	High Density	104	Pin	Y	Steel	Zinc YP	16-19
M24308/4-264Z	M2000/4-264Z	High Density	15	N	N	Steel	Zinc YP	16-19
M24308/4-265Z	M2000/4-265Z	High Density	26	N	N	Steel	Zinc YP	16-19
M24308/4-266Z	M2000/4-266Z	High Density	44	N	N	Steel	Zinc YP	16-19
M24308/4-267Z	M2000/4-267Z	High Density	62	N	N	Steel	Zinc YP	16-19
M24308/4-268Z	M2000/4-268Z	High Density	78	N	N	Steel	Zinc YP	16-19
M24308/4-269Z	M2000/4-269Z	High Density	104	N	N	Steel	Zinc YP	16-19
M24308/4-1K	M2000/4-1K	Standard	9	Pin	N	Steel	Zinc Nickel	16-19
M24308/4-2K	M2000/4-2K	Standard	15	Pin	N	Steel	Zinc Nickel	16-19
M24308/4-3K	M2000/4-3K	Standard	25	Pin	N	Steel	Zinc Nickel	16-19
M24308/4-4K	M2000/4-4K	Standard	37	Pin	N	Steel	Zinc Nickel	16-19
M24308/4-5K	M2000/4-5K	Standard	50	Pin	N	Steel	Zinc Nickel	16-19
M24308/4-6K	M2000/4-6K	Standard	9	Pin	Y	Steel	Zinc Nickel	16-19
M24308/4-7K	M2000/4-7K	Standard	15	Pin	Y	Steel	Zinc Nickel	16-19
M24308/4-8K	M2000/4-8K	Standard	25	Pin	Y	Steel	Zinc Nickel	16-19
M24308/4-9K	M2000/4-9K	Standard	37	Pin	Y	Steel	Zinc Nickel	16-19
M24308/4-10K	M2000/4-10K	Standard	50	Pin	Y	Steel	Zinc Nickel	16-19

* Y- Supplied w/ Connector, N: not supplied w/ Connector, N/A: Not Applicable

Finish: YP- Yellow Passivation

Military	Manufacturers Designation	Type	No. Of Pins	*Contact	*IR	Shell Material	Finish	Pg.
M24308/4-259K	M2000/4-259K	Standard	9	N	N	Steel	Zinc Nickel	16-19
M24308/4-260K	M2000/4-260K	Standard	15	N	N	Steel	Zinc Nickel	16-19
M24308/4-261K	M2000/4-261K	Standard	25	N	N	Steel	Zinc Nickel	16-19
M24308/4-262K	M2000/4-262K	Standard	37	N	N	Steel	Zinc Nickel	16-19
M24308/4-263K	M2000/4-263K	Standard	50	N	N	Steel	Zinc Nickel	16-19
M24308/4-11K	M2000/4-11K	High Density	15	Pin	N	Steel	Zinc Nickel	16-19
M24308/4-12K	M2000/4-12K	High Density	26	Pin	N	Steel	Zinc Nickel	16-19
M24308/4-13K	M2000/4-13K	High Density	44	Pin	N	Steel	Zinc Nickel	16-19
M24308/4-14K	M2000/4-14K	High Density	62	Pin	N	Steel	Zinc Nickel	16-19
M24308/4-15K	M2000/4-15K	High Density	78	Pin	N	Steel	Zinc Nickel	16-19
M24308/4-16K	M2000/4-16K	High Density	104	Pin	N	Steel	Zinc Nickel	16-19
M24308/4-17K	M2000/4-17K	High Density	15	Pin	Y	Steel	Zinc Nickel	16-19
M24308/4-18K	M2000/4-18K	High Density	26	Pin	Y	Steel	Zinc Nickel	16-19
M24308/4-19K	M2000/4-19K	High Density	44	Pin	Y	Steel	Zinc Nickel	16-19
M24308/4-20K	M2000/4-20K	High Density	62	Pin	Y	Steel	Zinc Nickel	16-19
M24308/4-21K	M2000/4-21K	High Density	78	Pin	Y	Steel	Zinc Nickel	16-19
M24308/4-22K	M2000/4-22K	High Density	104	Pin	Y	Steel	Zinc Nickel	16-19
M24308/4-264K	M2000/4-264K	High Density	15	N	N	Steel	Zinc Nickel	16-19
M24308/4-265K	M2000/4-265K	High Density	26	N	N	Steel	Zinc Nickel	16-19
M24308/4-266K	M2000/4-266K	High Density	44	N	N	Steel	Zinc Nickel	16-19
M24308/4-267K	M2000/4-267K	High Density	62	N	N	Steel	Zinc Nickel	16-19
M24308/4-268K	M2000/4-268K	High Density	78	N	N	Steel	Zinc Nickel	16-19
M24308/4-269K	M2000/4-269K	High Density	104	N	N	Steel	Zinc Nickel	16-19
M24308/4-335	M2000/4-335	Standard	9	Pin	N	Steel	Nickel	16-19
M24308/4-336	M2000/4-336	Standard	15	Pin	N	Steel	Nickel	16-19
M24308/4-337	M2000/4-337	Standard	25	Pin	N	Steel	Nickel	16-19
M24308/4-338	M2000/4-338	Standard	37	Pin	N	Steel	Nickel	16-19
M24308/4-339	M2000/4-339	Standard	50	Pin	N	Steel	Nickel	16-19
M24308/4-340	M2000/4-340	Standard	9	Pin	Y	Steel	Nickel	16-19
M24308/4-341	M2000/4-341	Standard	15	Pin	Y	Steel	Nickel	16-19
M24308/4-342	M2000/4-342	Standard	25	Pin	Y	Steel	Nickel	16-19
M24308/4-343	M2000/4-343	Standard	37	Pin	Y	Steel	Nickel	16-19
M24308/4-344	M2000/4-344	Standard	50	Pin	Y	Steel	Nickel	16-19
M24308/4-357	M2000/4-357	Standard	9	N	N	Steel	Nickel	16-19
M24308/4-358	M2000/4-358	Standard	15	N	N	Steel	Nickel	16-19
M24308/4-359	M2000/4-359	Standard	25	N	N	Steel	Nickel	16-19
M24308/4-360	M2000/4-360	Standard	37	N	N	Steel	Nickel	16-19
M24308/4-361	M2000/4-361	Standard	50	N	N	Steel	Nickel	16-19
M24308/4-345	M2000/4-345	High Density	15	Pin	N	Steel	Nickel	16-19
M24308/4-346	M2000/4-346	High Density	26	Pin	N	Steel	Nickel	16-19
M24308/4-347	M2000/4-347	High Density	44	Pin	N	Steel	Nickel	16-19
M24308/4-348	M2000/4-348	High Density	62	Pin	N	Steel	Nickel	16-19
M24308/4-349	M2000/4-349	High Density	78	Pin	N	Steel	Nickel	16-19
M24308/4-350	M2000/4-350	High Density	104	Pin	N	Steel	Nickel	16-19
M24308/4-351	M2000/4-351	High Density	15	Pin	Y	Steel	Nickel	16-19
M24308/4-352	M2000/4-352	High Density	26	Pin	Y	Steel	Nickel	16-19

* Y- Supplied w/ Connector, N: not supplied w/ Connector, N/A: Not Applicable

Finish: YP- Yellow Passivation

Military	Manufacturers Designation	Type	No. Of Pins	*Contact	*IR	Shell Material	Finish	Pg.
M24308/4-353	M2000/4-353	High Density	44	Pin	Y	Steel	Nickel	16-19
M24308/4-354	M2000/4-354	High Density	62	Pin	Y	Steel	Nickel	16-19
M24308/4-355	M2000/4-355	High Density	78	Pin	Y	Steel	Nickel	16-19
M24308/4-356	M2000/4-356	High Density	104	Pin	Y	Steel	Nickel	16-19
M24308/4-362	M2000/4-362	High Density	15	N	N	Steel	Nickel	16-19
M24308/4-363	M2000/4-363	High Density	26	N	N	Steel	Nickel	16-19
M24308/4-364	M2000/4-364	High Density	44	N	N	Steel	Nickel	16-19
M24308/4-365	M2000/4-365	High Density	62	N	N	Steel	Nickel	16-19
M24308/4-366	M2000/4-366	High Density	78	N	N	Steel	Nickel	16-19
M24308/4-367	M2000/4-367	High Density	104	N	N	Steel	Nickel	16-19
M24308/4-302F	M2000/4-302F	Standard	9	Pin	N	Steel	Cadmium YP	16-19
M24308/4-303F	M2000/4-303F	Standard	15	Pin	N	Steel	Cadmium YP	16-19
M24308/4-304F	M2000/4-304F	Standard	25	Pin	N	Steel	Cadmium YP	16-19
M24308/4-305F	M2000/4-305F	Standard	37	Pin	N	Steel	Cadmium YP	16-19
M24308/4-306F	M2000/4-306F	Standard	50	Pin	N	Steel	Cadmium YP	16-19
M24308/4-313F	M2000/4-313F	Standard	9	Pin	Y	Steel	Cadmium YP	16-19
M24308/4-314F	M2000/4-314F	Standard	15	Pin	Y	Steel	Cadmium YP	16-19
M24308/4-315F	M2000/4-315F	Standard	25	Pin	Y	Steel	Cadmium YP	16-19
M24308/4-316F	M2000/4-316F	Standard	37	Pin	Y	Steel	Cadmium YP	16-19
M24308/4-317F	M2000/4-317F	Standard	50	Pin	Y	Steel	Cadmium YP	16-19
M24308/4-324F	M2000/4-324F	Standard	9	N	N	Steel	Cadmium YP	16-19
M24308/4-325F	M2000/4-325F	Standard	15	N	N	Steel	Cadmium YP	16-19
M24308/4-326F	M2000/4-326F	Standard	25	N	N	Steel	Cadmium YP	16-19
M24308/4-327F	M2000/4-327F	Standard	37	N	N	Steel	Cadmium YP	16-19
M24308/4-328F	M2000/4-328F	Standard	50	N	N	Steel	Cadmium YP	16-19
M24308/4-307F	M2000/4-307F	High Density	15	Pin	N	Steel	Cadmium YP	16-19
M24308/4-308F	M2000/4-308F	High Density	26	Pin	N	Steel	Cadmium YP	16-19
M24308/4-309F	M2000/4-309F	High Density	44	Pin	N	Steel	Cadmium YP	16-19
M24308/4-310F	M2000/4-310F	High Density	62	Pin	N	Steel	Cadmium YP	16-19
M24308/4-311F	M2000/4-311F	High Density	78	Pin	N	Steel	Cadmium YP	16-19
M24308/4-312F	M2000/4-312F	High Density	104	Pin	N	Steel	Cadmium YP	16-19
M24308/4-318F	M2000/4-318F	High Density	15	Pin	Y	Steel	Cadmium YP	16-19
M24308/4-319F	M2000/4-319F	High Density	26	Pin	Y	Steel	Cadmium YP	16-19
M24308/4-320F	M2000/4-320F	High Density	44	Pin	Y	Steel	Cadmium YP	16-19
M24308/4-321F	M2000/4-321F	High Density	62	Pin	Y	Steel	Cadmium YP	16-19
M24308/4-322F	M2000/4-322F	High Density	78	Pin	Y	Steel	Cadmium YP	16-19
M24308/4-323F	M2000/4-323F	High Density	104	Pin	Y	Steel	Cadmium YP	16-19
M24308/4-329F	M2000/4-329F	High Density	15	N	N	Steel	Cadmium YP	16-19
M24308/4-330F	M2000/4-330F	High Density	26	N	N	Steel	Cadmium YP	16-19
M24308/4-331F	M2000/4-331F	High Density	44	N	N	Steel	Cadmium YP	16-19
M24308/4-332F	M2000/4-332F	High Density	62	N	N	Steel	Cadmium YP	16-19
M24308/4-333F	M2000/4-333F	High Density	78	N	N	Steel	Cadmium YP	16-19
M24308/4-334F	M2000/4-334F	High Density	104	N	N	Steel	Cadmium YP	16-19
M24308/4-435F	M2000/4-435F	Standard	9	Pin	N	Steel	Cadmium YP	16-19
M24308/4-436F	M2000/4-436F	Standard	15	Pin	N	Steel	Cadmium YP	16-19
M24308/4-437F	M2000/4-437F	Standard	25	Pin	N	Steel	Cadmium YP	16-19

* Y- Supplied w/ Connector, N: not supplied w/ Connector, N/A: Not Applicable
Finish: YP- Yellow Passivation

Military	Manufacturers Designation	Type	No. Of Pins	*Contact	*IR	Shell Material	Finish	Pg.
M24308/4-438F	M2000/4-438F	Standard	37	Pin	N	Steel	Cadmium YP	16-19
M24308/4-439F	M2000/4-439F	Standard	50	Pin	N	Steel	Cadmium YP	16-19
M24308/4-446F	M2000/4-446F	Standard	9	Pin	Y	Steel	Cadmium YP	16-19
M24308/4-447F	M2000/4-447F	Standard	15	Pin	Y	Steel	Cadmium YP	16-19
M24308/4-448F	M2000/4-448F	Standard	25	Pin	Y	Steel	Cadmium YP	16-19
M24308/4-449F	M2000/4-449F	Standard	37	Pin	Y	Steel	Cadmium YP	16-19
M24308/4-450F	M2000/4-450F	Standard	50	Pin	Y	Steel	Cadmium YP	16-19
M24308/4-457F	M2000/4-457F	Standard	9	N	N	Steel	Cadmium YP	16-19
M24308/4-458F	M2000/4-458F	Standard	15	N	N	Steel	Cadmium YP	16-19
M24308/4-459F	M2000/4-459F	Standard	25	N	N	Steel	Cadmium YP	16-19
M24308/4-460F	M2000/4-460F	Standard	37	N	N	Steel	Cadmium YP	16-19
M24308/4-461F	M2000/4-461F	Standard	50	N	N	Steel	Cadmium YP	16-19
M24308/4-440F	M2000/4-440F	High Density	15	Pin	N	Steel	Cadmium YP	16-19
M24308/4-441F	M2000/4-441F	High Density	26	Pin	N	Steel	Cadmium YP	16-19
M24308/4-442F	M2000/4-442F	High Density	44	Pin	N	Steel	Cadmium YP	16-19
M24308/4-443F	M2000/4-443F	High Density	62	Pin	N	Steel	Cadmium YP	16-19
M24308/4-444F	M2000/4-444F	High Density	78	Pin	N	Steel	Cadmium YP	16-19
M24308/4-445F	M2000/4-445F	High Density	104	Pin	N	Steel	Cadmium YP	16-19
M24308/4-451F	M2000/4-451F	High Density	15	Pin	Y	Steel	Cadmium YP	16-19
M24308/4-452F	M2000/4-452F	High Density	26	Pin	Y	Steel	Cadmium YP	16-19
M24308/4-453F	M2000/4-453F	High Density	44	Pin	Y	Steel	Cadmium YP	16-19
M24308/4-454F	M2000/4-454F	High Density	62	Pin	Y	Steel	Cadmium YP	16-19
M24308/4-455F	M2000/4-455F	High Density	78	Pin	Y	Steel	Cadmium YP	16-19
M24308/4-456F	M2000/4-456F	High Density	104	Pin	Y	Steel	Cadmium YP	16-19
M24308/4-462F	M2000/4-462F	High Density	15	N	N	Steel	Cadmium YP	16-19
M24308/4-463F	M2000/4-463F	High Density	26	N	N	Steel	Cadmium YP	16-19
M24308/4-464F	M2000/4-464F	High Density	44	N	N	Steel	Cadmium YP	16-19
M24308/4-465F	M2000/4-465F	High Density	62	N	N	Steel	Cadmium YP	16-19
M24308/4-466F	M2000/4-466F	High Density	78	N	N	Steel	Cadmium YP	16-19
M24308/4-467F	M2000/4-467F	High Density	104	N	N	Steel	Cadmium YP	16-19
M24308/4-302Z	M2000/4-302Z	Standard	9	Pin	N	Steel	Zinc YP	16-19
M24308/4-303Z	M2000/4-303Z	Standard	15	Pin	N	Steel	Zinc YP	16-19
M24308/4-304Z	M2000/4-304Z	Standard	25	Pin	N	Steel	Zinc YP	16-19
M24308/4-305Z	M2000/4-305Z	Standard	37	Pin	N	Steel	Zinc YP	16-19
M24308/4-306Z	M2000/4-306Z	Standard	50	Pin	N	Steel	Zinc YP	16-19
M24308/4-313Z	M2000/4-313Z	Standard	9	Pin	Y	Steel	Zinc YP	16-19
M24308/4-314Z	M2000/4-314Z	Standard	15	Pin	Y	Steel	Zinc YP	16-19
M24308/4-315Z	M2000/4-315Z	Standard	25	Pin	Y	Steel	Zinc YP	16-19
M24308/4-316Z	M2000/4-316Z	Standard	37	Pin	Y	Steel	Zinc YP	16-19
M24308/4-317Z	M2000/4-317Z	Standard	50	Pin	Y	Steel	Zinc YP	16-19
M24308/4-324Z	M2000/4-324Z	Standard	9	N	N	Steel	Zinc YP	16-19
M24308/4-325Z	M2000/4-325Z	Standard	15	N	N	Steel	Zinc YP	16-19
M24308/4-326Z	M2000/4-326Z	Standard	25	N	N	Steel	Zinc YP	16-19
M24308/4-327Z	M2000/4-327Z	Standard	37	N	N	Steel	Zinc YP	16-19
M24308/4-328Z	M2000/4-328Z	Standard	50	N	N	Steel	Zinc YP	16-19
M24308/4-307Z	M2000/4-307Z	High Density	15	Pin	N	Steel	Zinc YP	16-19

* Y- Supplied w/ Connector, N: not supplied w/ Connector, N/A: Not Applicable
Finish: YP- Yellow Passivation

Military	Manufacturers Designation	Type	No. Of Pins	*Contact	*IR	Shell Material	Finish	Pg.
M24308/4-308Z	M2000/4-308Z	High Density	26	Pin	N	Steel	Zinc YP	16-19
M24308/4-309Z	M2000/4-309Z	High Density	44	Pin	N	Steel	Zinc YP	16-19
M24308/4-310Z	M2000/4-310Z	High Density	62	Pin	N	Steel	Zinc YP	16-19
M24308/4-311Z	M2000/4-311Z	High Density	78	Pin	N	Steel	Zinc YP	16-19
M24308/4-312Z	M2000/4-312Z	High Density	104	Pin	N	Steel	Zinc YP	16-19
M24308/4-318Z	M2000/4-318Z	High Density	15	Pin	Y	Steel	Zinc YP	16-19
M24308/4-319Z	M2000/4-319Z	High Density	26	Pin	Y	Steel	Zinc YP	16-19
M24308/4-320Z	M2000/4-320Z	High Density	44	Pin	Y	Steel	Zinc YP	16-19
M24308/4-321Z	M2000/4-321Z	High Density	62	Pin	Y	Steel	Zinc YP	16-19
M24308/4-322Z	M2000/4-322Z	High Density	78	Pin	Y	Steel	Zinc YP	16-19
M24308/4-323Z	M2000/4-323Z	High Density	104	Pin	Y	Steel	Zinc YP	16-19
M24308/4-329Z	M2000/4-329Z	High Density	15	N	N	Steel	Zinc YP	16-19
M24308/4-330Z	M2000/4-330Z	High Density	26	N	N	Steel	Zinc YP	16-19
M24308/4-331Z	M2000/4-331Z	High Density	44	N	N	Steel	Zinc YP	16-19
M24308/4-332Z	M2000/4-332Z	High Density	62	N	N	Steel	Zinc YP	16-19
M24308/4-333Z	M2000/4-333Z	High Density	78	N	N	Steel	Zinc YP	16-19
M24308/4-334Z	M2000/4-334Z	High Density	104	N	N	Steel	Zinc YP	16-19
M24308/4-435Z	M2000/4-435Z	Standard	9	Pin	N	Steel	Zinc YP	16-19
M24308/4-436Z	M2000/4-436Z	Standard	15	Pin	N	Steel	Zinc YP	16-19
M24308/4-437Z	M2000/4-437Z	Standard	25	Pin	N	Steel	Zinc YP	16-19
M24308/4-438Z	M2000/4-438Z	Standard	37	Pin	N	Steel	Zinc YP	16-19
M24308/4-439Z	M2000/4-439Z	Standard	50	Pin	N	Steel	Zinc YP	16-19
M24308/4-446Z	M2000/4-446Z	Standard	9	Pin	Y	Steel	Zinc YP	16-19
M24308/4-447Z	M2000/4-447Z	Standard	15	Pin	Y	Steel	Zinc YP	16-19
M24308/4-448Z	M2000/4-448Z	Standard	25	Pin	Y	Steel	Zinc YP	16-19
M24308/4-449Z	M2000/4-449Z	Standard	37	Pin	Y	Steel	Zinc YP	16-19
M24308/4-450Z	M2000/4-450Z	Standard	50	Pin	Y	Steel	Zinc YP	16-19
M24308/4-457Z	M2000/4-457Z	Standard	9	N	N	Steel	Zinc YP	16-19
M24308/4-458Z	M2000/4-458Z	Standard	15	N	N	Steel	Zinc YP	16-19
M24308/4-459Z	M2000/4-459Z	Standard	25	N	N	Steel	Zinc YP	16-19
M24308/4-460Z	M2000/4-460Z	Standard	37	N	N	Steel	Zinc YP	16-19
M24308/4-461Z	M2000/4-461Z	Standard	50	N	N	Steel	Zinc YP	16-19
M24308/4-440Z	M2000/4-440Z	High Density	15	Pin	N	Steel	Zinc YP	16-19
M24308/4-441Z	M2000/4-441Z	High Density	26	Pin	N	Steel	Zinc YP	16-19
M24308/4-442Z	M2000/4-442Z	High Density	44	Pin	N	Steel	Zinc YP	16-19
M24308/4-443Z	M2000/4-443Z	High Density	62	Pin	N	Steel	Zinc YP	16-19
M24308/4-444Z	M2000/4-444Z	High Density	78	Pin	N	Steel	Zinc YP	16-19
M24308/4-445Z	M2000/4-445Z	High Density	104	Pin	N	Steel	Zinc YP	16-19
M24308/4-451Z	M2000/4-451Z	High Density	15	Pin	Y	Steel	Zinc YP	16-19
M24308/4-452Z	M2000/4-452Z	High Density	26	Pin	Y	Steel	Zinc YP	16-19
M24308/4-453Z	M2000/4-453Z	High Density	44	Pin	Y	Steel	Zinc YP	16-19
M24308/4-454Z	M2000/4-454Z	High Density	62	Pin	Y	Steel	Zinc YP	16-19
M24308/4-455Z	M2000/4-455Z	High Density	78	Pin	Y	Steel	Zinc YP	16-19
M24308/4-456Z	M2000/4-456Z	High Density	104	Pin	Y	Steel	Zinc YP	16-19
M24308/4-462Z	M2000/4-462Z	High Density	15	N	N	Steel	Zinc YP	16-19
M24308/4-463Z	M2000/4-463Z	High Density	26	N	N	Steel	Zinc YP	16-19

* Y- Supplied w/ Connector, N: not supplied w/ Connector, N/A: Not Applicable
Finish: YP- Yellow Passivation

Military	Manufacturers Designation	Type	No. Of Pins	*Contact	*IR	Shell Material	Finish	Pg.
M24308/4-464Z	M2000/4-464Z	High Density	44	N	N	Steel	Zinc YP	16-19
M24308/4-465Z	M2000/4-465Z	High Density	62	N	N	Steel	Zinc YP	16-19
M24308/4-466Z	M2000/4-466Z	High Density	78	N	N	Steel	Zinc YP	16-19
M24308/4-467Z	M2000/4-467Z	High Density	104	N	N	Steel	Zinc YP	16-19
M24308/4-302K	M2000/4-302K	Standard	9	Pin	N	Steel	Zinc Nickel	16-19
M24308/4-303K	M2000/4-303K	Standard	15	Pin	N	Steel	Zinc Nickel	16-19
M24308/4-304K	M2000/4-304K	Standard	25	Pin	N	Steel	Zinc Nickel	16-19
M24308/4-305K	M2000/4-305K	Standard	37	Pin	N	Steel	Zinc Nickel	16-19
M24308/4-306K	M2000/4-306K	Standard	50	Pin	N	Steel	Zinc Nickel	16-19
M24308/4-313K	M2000/4-313K	Standard	9	Pin	Y	Steel	Zinc Nickel	16-19
M24308/4-314K	M2000/4-314K	Standard	15	Pin	Y	Steel	Zinc Nickel	16-19
M24308/4-315K	M2000/4-315K	Standard	25	Pin	Y	Steel	Zinc Nickel	16-19
M24308/4-316K	M2000/4-316K	Standard	37	Pin	Y	Steel	Zinc Nickel	16-19
M24308/4-317K	M2000/4-317K	Standard	50	Pin	Y	Steel	Zinc Nickel	16-19
M24308/4-324K	M2000/4-324K	Standard	9	N	N	Steel	Zinc Nickel	16-19
M24308/4-325K	M2000/4-325K	Standard	15	N	N	Steel	Zinc Nickel	16-19
M24308/4-326K	M2000/4-326K	Standard	25	N	N	Steel	Zinc Nickel	16-19
M24308/4-327K	M2000/4-327K	Standard	37	N	N	Steel	Zinc Nickel	16-19
M24308/4-328K	M2000/4-328K	Standard	50	N	N	Steel	Zinc Nickel	16-19
M24308/4-307K	M2000/4-307K	High Density	15	Pin	N	Steel	Zinc Nickel	16-19
M24308/4-308K	M2000/4-308K	High Density	26	Pin	N	Steel	Zinc Nickel	16-19
M24308/4-309K	M2000/4-309K	High Density	44	Pin	N	Steel	Zinc Nickel	16-19
M24308/4-310K	M2000/4-310K	High Density	62	Pin	N	Steel	Zinc Nickel	16-19
M24308/4-311K	M2000/4-311K	High Density	78	Pin	N	Steel	Zinc Nickel	16-19
M24308/4-312K	M2000/4-312K	High Density	104	Pin	N	Steel	Zinc Nickel	16-19
M24308/4-318K	M2000/4-318K	High Density	15	Pin	Y	Steel	Zinc Nickel	16-19
M24308/4-319K	M2000/4-319K	High Density	26	Pin	Y	Steel	Zinc Nickel	16-19
M24308/4-320K	M2000/4-320K	High Density	44	Pin	Y	Steel	Zinc Nickel	16-19
M24308/4-321K	M2000/4-321K	High Density	62	Pin	Y	Steel	Zinc Nickel	16-19
M24308/4-322K	M2000/4-322K	High Density	78	Pin	Y	Steel	Zinc Nickel	16-19
M24308/4-323K	M2000/4-323K	High Density	104	Pin	Y	Steel	Zinc Nickel	16-19
M24308/4-329K	M2000/4-329K	High Density	15	N	N	Steel	Zinc Nickel	16-19
M24308/4-330K	M2000/4-330K	High Density	26	N	N	Steel	Zinc Nickel	16-19
M24308/4-331K	M2000/4-331K	High Density	44	N	N	Steel	Zinc Nickel	16-19
M24308/4-332K	M2000/4-332K	High Density	62	N	N	Steel	Zinc Nickel	16-19
M24308/4-333K	M2000/4-333K	High Density	78	N	N	Steel	Zinc Nickel	16-19
M24308/4-334K	M2000/4-334K	High Density	104	N	N	Steel	Zinc Nickel	16-19
M24308/4-435K	M2000/4-435K	Standard	9	Pin	N	Steel	Zinc Nickel	16-19
M24308/4-436K	M2000/4-436K	Standard	15	Pin	N	Steel	Zinc Nickel	16-19
M24308/4-437K	M2000/4-437K	Standard	25	Pin	N	Steel	Zinc Nickel	16-19
M24308/4-438K	M2000/4-438K	Standard	37	Pin	N	Steel	Zinc Nickel	16-19
M24308/4-439K	M2000/4-439K	Standard	50	Pin	N	Steel	Zinc Nickel	16-19
M24308/4-446K	M2000/4-446K	Standard	9	Pin	Y	Steel	Zinc Nickel	16-19
M24308/4-447K	M2000/4-447K	Standard	15	Pin	Y	Steel	Zinc Nickel	16-19
M24308/4-448K	M2000/4-448K	Standard	25	Pin	Y	Steel	Zinc Nickel	16-19
M24308/4-449K	M2000/4-449K	Standard	37	Pin	Y	Steel	Zinc Nickel	16-19

* Y- Supplied w/ Connector, N: not supplied w/ Connector, N/A: Not Applicable
Finish: YP- Yellow Passivation

Military	Manufacturers Designation	Type	No. Of Pins	*Contact	*IR	Shell Material	Finish	Pg.
M24308/4-450K	M2000/4-450K	Standard	50	Pin	Y	Steel	Zinc Nickel	16-19
M24308/4-457K	M2000/4-457K	Standard	9	N	N	Steel	Zinc Nickel	16-19
M24308/4-458K	M2000/4-458K	Standard	15	N	N	Steel	Zinc Nickel	16-19
M24308/4-459K	M2000/4-459K	Standard	25	N	N	Steel	Zinc Nickel	16-19
M24308/4-460K	M2000/4-460K	Standard	37	N	N	Steel	Zinc Nickel	16-19
M24308/4-461K	M2000/4-461K	Standard	50	N	N	Steel	Zinc Nickel	16-19
M24308/4-440K	M2000/4-440K	High Density	15	Pin	N	Steel	Zinc Nickel	16-19
M24308/4-441K	M2000/4-441K	High Density	26	Pin	N	Steel	Zinc Nickel	16-19
M24308/4-442K	M2000/4-442K	High Density	44	Pin	N	Steel	Zinc Nickel	16-19
M24308/4-443K	M2000/4-443K	High Density	62	Pin	N	Steel	Zinc Nickel	16-19
M24308/4-444K	M2000/4-444K	High Density	78	Pin	N	Steel	Zinc Nickel	16-19
M24308/4-445K	M2000/4-445K	High Density	104	Pin	N	Steel	Zinc Nickel	16-19
M24308/4-451K	M2000/4-451K	High Density	15	Pin	Y	Steel	Zinc Nickel	16-19
M24308/4-452K	M2000/4-452K	High Density	26	Pin	Y	Steel	Zinc Nickel	16-19
M24308/4-453K	M2000/4-453K	High Density	44	Pin	Y	Steel	Zinc Nickel	16-19
M24308/4-454K	M2000/4-454K	High Density	62	Pin	Y	Steel	Zinc Nickel	16-19
M24308/4-455K	M2000/4-455K	High Density	78	Pin	Y	Steel	Zinc Nickel	16-19
M24308/4-456K	M2000/4-456K	High Density	104	Pin	Y	Steel	Zinc Nickel	16-19
M24308/4-462K	M2000/4-462K	High Density	15	N	N	Steel	Zinc Nickel	16-19
M24308/4-463K	M2000/4-463K	High Density	26	N	N	Steel	Zinc Nickel	16-19
M24308/4-464K	M2000/4-464K	High Density	44	N	N	Steel	Zinc Nickel	16-19
M24308/4-465K	M2000/4-465K	High Density	62	N	N	Steel	Zinc Nickel	16-19
M24308/4-466K	M2000/4-466K	High Density	78	N	N	Steel	Zinc Nickel	16-19
M24308/4-467K	M2000/4-467K	High Density	104	N	N	Steel	Zinc Nickel	16-19
M24308/4-368	M2000/4-368	Standard	9	Pin	N	Steel	Nickel	16-19
M24308/4-369	M2000/4-369	Standard	15	Pin	N	Steel	Nickel	16-19
M24308/4-370	M2000/4-370	Standard	25	Pin	N	Steel	Nickel	16-19
M24308/4-371	M2000/4-371	Standard	37	Pin	N	Steel	Nickel	16-19
M24308/4-372	M2000/4-372	Standard	50	Pin	N	Steel	Nickel	16-19
M24308/4-379	M2000/4-379	Standard	9	Pin	Y	Steel	Nickel	16-19
M24308/4-380	M2000/4-380	Standard	15	Pin	Y	Steel	Nickel	16-19
M24308/4-381	M2000/4-381	Standard	25	Pin	Y	Steel	Nickel	16-19
M24308/4-382	M2000/4-382	Standard	37	Pin	Y	Steel	Nickel	16-19
M24308/4-383	M2000/4-383	Standard	50	Pin	Y	Steel	Nickel	16-19
M24308/4-390	M2000/4-390	Standard	9	N	N	Steel	Nickel	16-19
M24308/4-391	M2000/4-391	Standard	15	N	N	Steel	Nickel	16-19
M24308/4-392	M2000/4-392	Standard	25	N	N	Steel	Nickel	16-19
M24308/4-393	M2000/4-393	Standard	37	N	N	Steel	Nickel	16-19
M24308/4-394	M2000/4-394	Standard	50	N	N	Steel	Nickel	16-19
M24308/4-373	M2000/4-373	High Density	15	Pin	N	Steel	Nickel	16-19
M24308/4-374	M2000/4-374	High Density	26	Pin	N	Steel	Nickel	16-19
M24308/4-375	M2000/4-375	High Density	44	Pin	N	Steel	Nickel	16-19
M24308/4-376	M2000/4-376	High Density	62	Pin	N	Steel	Nickel	16-19
M24308/4-377	M2000/4-377	High Density	78	Pin	N	Steel	Nickel	16-19
M24308/4-378	M2000/4-378	High Density	104	Pin	N	Steel	Nickel	16-19
M24308/4-384	M2000/4-384	High Density	15	Pin	Y	Steel	Nickel	16-19

* Y- Supplied w/ Connector, N: not supplied w/ Connector, N/A: Not Applicable
Finish: YP- Yellow Passivation

Military	Manufacturers Designation	Type	No. Of Pins	*Contact	*IR	Shell Material	Finish	Pg.
M24308/4-385	M2000/4-385	High Density	26	Pin	Y	Steel	Nickel	16-19
M24308/4-386	M2000/4-386	High Density	44	Pin	Y	Steel	Nickel	16-19
M24308/4-387	M2000/4-387	High Density	62	Pin	Y	Steel	Nickel	16-19
M24308/4-388	M2000/4-388	High Density	78	Pin	Y	Steel	Nickel	16-19
M24308/4-389	M2000/4-389	High Density	104	Pin	Y	Steel	Nickel	16-19
M24308/4-395	M2000/4-395	High Density	15	N	N	Steel	Nickel	16-19
M24308/4-396	M2000/4-396	High Density	26	N	N	Steel	Nickel	16-19
M24308/4-397	M2000/4-397	High Density	44	N	N	Steel	Nickel	16-19
M24308/4-398	M2000/4-398	High Density	62	N	N	Steel	Nickel	16-19
M24308/4-399	M2000/4-399	High Density	78	N	N	Steel	Nickel	16-19
M24308/4-400	M2000/4-400	High Density	104	N	N	Steel	Nickel	16-19
M24308/4-401	M2000/4-401	Standard	9	Pin	N	Steel	Nickel	16-19
M24308/4-402	M2000/4-402	Standard	15	Pin	N	Steel	Nickel	16-19
M24308/4-403	M2000/4-403	Standard	25	Pin	N	Steel	Nickel	16-19
M24308/4-404	M2000/4-404	Standard	37	Pin	N	Steel	Nickel	16-19
M24308/4-405	M2000/4-405	Standard	50	Pin	N	Steel	Nickel	16-19
M24308/4-412	M2000/4-412	Standard	9	Pin	Y	Steel	Nickel	16-19
M24308/4-413	M2000/4-413	Standard	15	Pin	Y	Steel	Nickel	16-19
M24308/4-414	M2000/4-414	Standard	25	Pin	Y	Steel	Nickel	16-19
M24308/4-415	M2000/4-415	Standard	37	Pin	Y	Steel	Nickel	16-19
M24308/4-416	M2000/4-416	Standard	50	Pin	Y	Steel	Nickel	16-19
M24308/4-423	M2000/4-423	Standard	9	N	N	Steel	Nickel	16-19
M24308/4-424	M2000/4-424	Standard	15	N	N	Steel	Nickel	16-19
M24308/4-425	M2000/4-425	Standard	25	N	N	Steel	Nickel	16-19
M24308/4-426	M2000/4-426	Standard	37	N	N	Steel	Nickel	16-19
M24308/4-427	M2000/4-427	Standard	50	N	N	Steel	Nickel	16-19
M24308/4-406	M2000/4-406	High Density	15	Pin	N	Steel	Nickel	16-19
M24308/4-407	M2000/4-407	High Density	26	Pin	N	Steel	Nickel	16-19
M24308/4-408	M2000/4-408	High Density	44	Pin	N	Steel	Nickel	16-19
M24308/4-409	M2000/4-409	High Density	62	Pin	N	Steel	Nickel	16-19
M24308/4-410	M2000/4-410	High Density	78	Pin	N	Steel	Nickel	16-19
M24308/4-411	M2000/4-411	High Density	104	Pin	N	Steel	Nickel	16-19
M24308/4-417	M2000/4-417	High Density	15	Pin	Y	Steel	Nickel	16-19
M24308/4-418	M2000/4-418	High Density	26	Pin	Y	Steel	Nickel	16-19
M24308/4-419	M2000/4-419	High Density	44	Pin	Y	Steel	Nickel	16-19
M24308/4-420	M2000/4-420	High Density	62	Pin	Y	Steel	Nickel	16-19
M24308/4-421	M2000/4-421	High Density	78	Pin	Y	Steel	Nickel	16-19
M24308/4-422	M2000/4-422	High Density	104	Pin	Y	Steel	Nickel	16-19
M24308/4-428	M2000/4-428	High Density	15	N	N	Steel	Nickel	16-19
M24308/4-429	M2000/4-429	High Density	26	N	N	Steel	Nickel	16-19
M24308/4-430	M2000/4-430	High Density	44	N	N	Steel	Nickel	16-19
M24308/4-431	M2000/4-431	High Density	62	N	N	Steel	Nickel	16-19
M24308/4-432	M2000/4-432	High Density	78	N	N	Steel	Nickel	16-19
M24308/4-433	M2000/4-433	High Density	104	N	N	Steel	Nickel	16-19
M24308/5-45	M2000/5-45	Standard	9	Socket	N/A	Brass	Gold Plated	20-21
M24308/5-46	M2000/5-46	Standard	15	Socket	N/A	Brass	Gold Plated	20-21

* Y- Supplied w/ Connector, N: not supplied w/ Connector, N/A: Not Applicable

Finish: YP- Yellow Passivation

Military	Manufacturers Designation	Type	No. Of Pins	*Contact	*IR	Shell Material	Finish	Pg.
M24308/5-47	M2000/5-47	Standard	25	Socket	N/A	Brass	Gold Plated	20-21
M24308/5-48	M2000/5-48	Standard	37	Socket	N/A	Brass	Gold Plated	20-21
M24308/5-49	M2000/5-49	Standard	50	Socket	N/A	Brass	Gold Plated	20-21
M24308/5-56	M2000/5-56	Standard	9	Socket	N/A	Brass	Gold Plated	20-21
M24308/5-57	M2000/5-57	Standard	15	Socket	N/A	Brass	Gold Plated	20-21
M24308/5-58	M2000/5-58	Standard	25	Socket	N/A	Brass	Gold Plated	20-21
M24308/5-59	M2000/5-59	Standard	37	Socket	N/A	Brass	Gold Plated	20-21
M24308/5-60	M2000/5-60	Standard	50	Socket	N/A	Brass	Gold Plated	20-21
M24308/5-12Z	M2000/5-12Z	Standard	9	Socket	N/A	Brass	Zinc YP	20-21
M24308/5-13Z	M2000/5-13Z	Standard	15	Socket	N/A	Brass	Zinc YP	20-21
M24308/5-14Z	M2000/5-14Z	Standard	25	Socket	N/A	Brass	Zinc YP	20-21
M24308/5-15Z	M2000/5-15Z	Standard	37	Socket	N/A	Brass	Zinc YP	20-21
M24308/5-16Z	M2000/5-16Z	Standard	50	Socket	N/A	Brass	Zinc YP	20-21
M24308/5-23Z	M2000/5-23Z	Standard	9	Socket	N/A	Brass	Zinc YP	20-21
M24308/5-24Z	M2000/5-24Z	Standard	15	Socket	N/A	Brass	Zinc YP	20-21
M24308/5-25Z	M2000/5-25Z	Standard	25	Socket	N/A	Brass	Zinc YP	20-21
M24308/5-26Z	M2000/5-26Z	Standard	37	Socket	N/A	Brass	Zinc YP	20-21
M24308/5-27Z	M2000/5-27Z	Standard	50	Socket	N/A	Brass	Zinc YP	20-21
M24308/5-45	M2000/5-45	Standard	9	Socket	N/A	Brass	Gold Plated	20-21
M24308/5-46	M2000/5-46	Standard	15	Socket	N/A	Brass	Gold Plated	20-21
M24308/5-47	M2000/5-47	Standard	25	Socket	N/A	Brass	Gold Plated	20-21
M24308/5-48	M2000/5-48	Standard	37	Socket	N/A	Brass	Gold Plated	20-21
M24308/5-49	M2000/5-49	Standard	50	Socket	N/A	Brass	Gold Plated	20-21
M24308/5-56	M2000/5-56	Standard	9	Socket	N/A	Brass	Gold Plated	20-21
M24308/5-57	M2000/5-57	Standard	15	Socket	N/A	Brass	Gold Plated	20-21
M24308/5-58	M2000/5-58	Standard	25	Socket	N/A	Brass	Gold Plated	20-21
M24308/5-59	M2000/5-59	Standard	37	Socket	N/A	Brass	Gold Plated	20-21
M24308/5-60	M2000/5-60	Standard	50	Socket	N/A	Brass	Gold Plated	20-21
M24308/5-1F	M2000/5-1F	Standard	9	Socket	N/A	Brass	Cadmium YP	20-21
M24308/5-2F	M2000/5-2F	Standard	15	Socket	N/A	Brass	Cadmium YP	20-21
M24308/5-3F	M2000/5-3F	Standard	25	Socket	N/A	Brass	Cadmium YP	20-21
M24308/5-4F	M2000/5-4F	Standard	37	Socket	N/A	Brass	Cadmium YP	20-21
M24308/5-5F	M2000/5-5F	Standard	50	Socket	N/A	Brass	Cadmium YP	20-21
M24308/5-1Z	M2000/5-1Z	Standard	9	Socket	N/A	Brass	Zinc YP	20-21
M24308/5-2Z	M2000/5-2Z	Standard	15	Socket	N/A	Brass	Zinc YP	20-21
M24308/5-3Z	M2000/5-3Z	Standard	25	Socket	N/A	Brass	Zinc YP	20-21
M24308/5-4Z	M2000/5-4Z	Standard	37	Socket	N/A	Brass	Zinc YP	20-21
M24308/5-5Z	M2000/5-5Z	Standard	50	Socket	N/A	Brass	Zinc YP	20-21
M24308/5-34	M2000/5-34	Standard	9	Socket	N/A	Brass	Gold	20-21
M24308/5-35	M2000/5-35	Standard	15	Socket	N/A	Brass	Gold	20-21
M24308/5-36	M2000/5-36	Standard	25	Socket	N/A	Brass	Gold	20-21
M24308/5-37	M2000/5-37	Standard	37	Socket	N/A	Brass	Gold	20-21
M24308/5-38	M2000/5-38	Standard	50	Socket	N/A	Brass	Gold	20-21
M24308/6-1F	M2000/6-1F	Standard	9	Socket	N	Brass	Cadmium YP	16-19
M24308/6-2F	M2000/6-2F	Standard	15	Socket	N	Brass	Cadmium YP	16-19
M24308/6-3F	M2000/6-3F	Standard	25	Socket	N	Brass	Cadmium YP	16-19

* Y- Supplied w/ Connector, N: not supplied w/ Connector, N/A: Not Applicable

Finish: YP- Yellow Passivation

Military	Manufacturers Designation	Type	No. Of Pins	*Contact	*IR	Shell Material	Finish	Pg.
M24308/6-4F	M2000/6-4F	Standard	37	Socket	N	Brass	Cadmium YP	16-19
M24308/6-5F	M2000/6-5F	Standard	50	Socket	N	Brass	Cadmium YP	16-19
M24308/6-6F	M2000/6-6F	Standard	9	Socket	Y	Brass	Cadmium YP	16-19
M24308/6-7F	M2000/6-7F	Standard	15	Socket	Y	Brass	Cadmium YP	16-19
M24308/6-8F	M2000/6-8F	Standard	25	Socket	Y	Brass	Cadmium YP	16-19
M24308/6-9F	M2000/6-9F	Standard	37	Socket	Y	Brass	Cadmium YP	16-19
M24308/6-10F	M2000/6-10F	Standard	50	Socket	Y	Brass	Cadmium YP	16-19
M24308/6-281F	M2000/6-281F	Standard	9	N	N	Brass	Cadmium YP	16-19
M24308/6-282F	M2000/6-282F	Standard	15	N	N	Brass	Cadmium YP	16-19
M24308/6-283F	M2000/6-283F	Standard	25	N	N	Brass	Cadmium YP	16-19
M24308/6-284F	M2000/6-284F	Standard	37	N	N	Brass	Cadmium YP	16-19
M24308/6-285F	M2000/6-285F	Standard	50	N	N	Brass	Cadmium YP	16-19
M24308/6-11F	M2000/6-11F	High Density	15	Socket	N	Brass	Cadmium YP	16-19
M24308/6-12F	M2000/6-12F	High Density	26	Socket	N	Brass	Cadmium YP	16-19
M24308/6-13F	M2000/6-13F	High Density	44	Socket	N	Brass	Cadmium YP	16-19
M24308/6-14F	M2000/6-14F	High Density	62	Socket	N	Brass	Cadmium YP	16-19
M24308/6-15F	M2000/6-15F	High Density	78	Socket	N	Brass	Cadmium YP	16-19
M24308/6-16F	M2000/6-16F	High Density	104	Socket	N	Brass	Cadmium YP	16-19
M24308/6-17F	M2000/6-17F	High Density	15	Socket	Y	Brass	Cadmium YP	16-19
M24308/6-18F	M2000/6-18F	High Density	26	Socket	Y	Brass	Cadmium YP	16-19
M24308/6-19F	M2000/6-19F	High Density	44	Socket	Y	Brass	Cadmium YP	16-19
M24308/6-20F	M2000/6-20F	High Density	62	Socket	Y	Brass	Cadmium YP	16-19
M24308/6-21F	M2000/6-21F	High Density	78	Socket	Y	Brass	Cadmium YP	16-19
M24308/6-22F	M2000/6-22F	High Density	104	Socket	Y	Brass	Cadmium YP	16-19
M24308/6-286F	M2000/6-286F	High Density	15	N	N	Brass	Cadmium YP	16-19
M24308/6-287F	M2000/6-287F	High Density	26	N	N	Brass	Cadmium YP	16-19
M24308/6-288F	M2000/6-288F	High Density	44	N	N	Brass	Cadmium YP	16-19
M24308/6-289F	M2000/6-289F	High Density	62	N	N	Brass	Cadmium YP	16-19
M24308/6-290F	M2000/6-290F	High Density	78	N	N	Brass	Cadmium YP	16-19
M24308/6-291F	M2000/6-291F	High Density	104	N	N	Brass	Cadmium YP	16-19
M24308/6-1Z	M2000/6-1Z	Standard	9	Socket	N	Brass	Zinc YP	16-19
M24308/6-2Z	M2000/6-2Z	Standard	15	Socket	N	Brass	Zinc YP	16-19
M24308/6-3Z	M2000/6-3Z	Standard	25	Socket	N	Brass	Zinc YP	16-19
M24308/6-4Z	M2000/6-4Z	Standard	37	Socket	N	Brass	Zinc YP	16-19
M24308/6-5Z	M2000/6-5Z	Standard	50	Socket	N	Brass	Zinc YP	16-19
M24308/6-6Z	M2000/6-6Z	Standard	9	Socket	Y	Brass	Zinc YP	16-19
M24308/6-7Z	M2000/6-7Z	Standard	15	Socket	Y	Brass	Zinc YP	16-19
M24308/6-8Z	M2000/6-8Z	Standard	25	Socket	Y	Brass	Zinc YP	16-19
M24308/6-9Z	M2000/6-9Z	Standard	37	Socket	Y	Brass	Zinc YP	16-19
M24308/6-10Z	M2000/6-10Z	Standard	50	Socket	Y	Brass	Zinc YP	16-19
M24308/6-281Z	M2000/6-281Z	Standard	9	N	N	Brass	Zinc YP	16-19
M24308/6-282Z	M2000/6-282Z	Standard	15	N	N	Brass	Zinc YP	16-19
M24308/6-283Z	M2000/6-283Z	Standard	25	N	N	Brass	Zinc YP	16-19
M24308/6-284Z	M2000/6-284Z	Standard	37	N	N	Brass	Zinc YP	16-19
M24308/6-285Z	M2000/6-285Z	Standard	50	N	N	Brass	Zinc YP	16-19
M24308/6-11Z	M2000/6-11Z	High Density	15	Socket	N	Brass	Zinc YP	16-19

* Y- Supplied w/ Connector, N: not supplied w/ Connector, N/A: Not Applicable

Finish: YP- Yellow Passivation

Military	Manufacturers Designation	Type	No. Of Pins	*Contact	*IR	Shell Material	Finish	Pg.
M24308/6-12Z	M2000/6-12Z	High Density	26	Socket	N	Brass	Zinc YP	16-19
M24308/6-13Z	M2000/6-13Z	High Density	44	Socket	N	Brass	Zinc YP	16-19
M24308/6-14Z	M2000/6-14Z	High Density	62	Socket	N	Brass	Zinc YP	16-19
M24308/6-15Z	M2000/6-15Z	High Density	78	Socket	N	Brass	Zinc YP	16-19
M24308/6-16Z	M2000/6-16Z	High Density	104	Socket	N	Brass	Zinc YP	16-19
M24308/6-17Z	M2000/6-17Z	High Density	15	Socket	Y	Brass	Zinc YP	16-19
M24308/6-18Z	M2000/6-18Z	High Density	26	Socket	Y	Brass	Zinc YP	16-19
M24308/6-19Z	M2000/6-19Z	High Density	44	Socket	Y	Brass	Zinc YP	16-19
M24308/6-20Z	M2000/6-20Z	High Density	62	Socket	Y	Brass	Zinc YP	16-19
M24308/6-21Z	M2000/6-21Z	High Density	78	Socket	Y	Brass	Zinc YP	16-19
M24308/6-22Z	M2000/6-22Z	High Density	104	Socket	Y	Brass	Zinc YP	16-19
M24308/6-286Z	M2000/6-286Z	High Density	15	N	N	Brass	Zinc YP	16-19
M24308/6-287Z	M2000/6-287Z	High Density	26	N	N	Brass	Zinc YP	16-19
M24308/6-288Z	M2000/6-288Z	High Density	44	N	N	Brass	Zinc YP	16-19
M24308/6-289Z	M2000/6-289Z	High Density	62	N	N	Brass	Zinc YP	16-19
M24308/6-290Z	M2000/6-290Z	High Density	78	N	N	Brass	Zinc YP	16-19
M24308/6-291Z	M2000/6-291Z	High Density	104	N	N	Brass	Zinc YP	16-19
M24308/6-1K	M2000/6-1K	Standard	9	Socket	N	Brass	Zinc Nickel	16-19
M24308/6-2K	M2000/6-2K	Standard	15	Socket	N	Brass	Zinc Nickel	16-19
M24308/6-502	M2000/6-502	Standard	9	Socket	N	Brass	Gold	16-19
M24308/6-503	M2000/6-503	Standard	15	Socket	N	Brass	Gold	16-19
M24308/6-504	M2000/6-504	Standard	25	Socket	N	Brass	Gold	16-19
M24308/6-505	M2000/6-505	Standard	37	Socket	N	Brass	Gold	16-19
M24308/6-506	M2000/6-506	Standard	50	Socket	N	Brass	Gold	16-19
M24308/6-507	M2000/6-507	Standard	9	Socket	Y	Brass	Gold	16-19
M24308/6-508	M2000/6-508	Standard	15	Socket	Y	Brass	Gold	16-19
M24308/6-509	M2000/6-509	Standard	25	Socket	Y	Brass	Gold	16-19
M24308/6-510	M2000/6-510	Standard	37	Socket	Y	Brass	Gold	16-19
M24308/6-511	M2000/6-511	Standard	50	Socket	Y	Brass	Gold	16-19
M24308/6-540	M2000/6-540	Standard	9	N	N	Brass	Gold	16-19
M24308/6-541	M2000/6-541	Standard	15	N	N	Brass	Gold	16-19
M24308/6-542	M2000/6-542	Standard	25	N	N	Brass	Gold	16-19
M24308/6-543	M2000/6-543	Standard	37	N	N	Brass	Gold	16-19
M24308/6-544	M2000/6-544	Standard	50	N	N	Brass	Gold	16-19
M24308/6-512	M2000/6-512	High Density	15	Socket	N	Brass	Gold	16-19
M24308/6-513	M2000/6-513	High Density	26	Socket	N	Brass	Gold	16-19
M24308/6-514	M2000/6-514	High Density	44	Socket	N	Brass	Gold	16-19
M24308/6-515	M2000/6-515	High Density	62	Socket	N	Brass	Gold	16-19
M24308/6-516	M2000/6-516	High Density	78	Socket	N	Brass	Gold	16-19
M24308/6-517	M2000/6-517	High Density	104	Socket	N	Brass	Gold	16-19
M24308/6-518	M2000/6-518	High Density	15	Socket	Y	Brass	Gold	16-19
M24308/6-519	M2000/6-519	High Density	26	Socket	Y	Brass	Gold	16-19
M24308/6-520	M2000/6-520	High Density	44	Socket	Y	Brass	Gold	16-19
M24308/6-521	M2000/6-521	High Density	62	Socket	Y	Brass	Gold	16-19
M24308/6-522	M2000/6-522	High Density	78	Socket	Y	Brass	Gold	16-19
M24308/6-523	M2000/6-523	High Density	104	Socket	Y	Brass	Gold	16-19

* Y- Supplied w/ Connector, N: not supplied w/ Connector, N/A: Not Applicable

Finish: YP- Yellow Passivation

Military	Manufacturers Designation	Type	No. Of Pins	*Contact	*IR	Shell Material	Finish	Pg.
M24308/6-545	M2000/6-545	High Density	15	N	N	Brass	Gold	16-19
M24308/6-546	M2000/6-546	High Density	26	N	N	Brass	Gold	16-19
M24308/6-547	M2000/6-547	High Density	44	N	N	Brass	Gold	16-19
M24308/6-548	M2000/6-548	High Density	62	N	N	Brass	Gold	16-19
M24308/6-549	M2000/6-549	High Density	78	N	N	Brass	Gold	16-19
M24308/6-550	M2000/6-550	High Density	104	N	N	Brass	Gold	16-19
M24308/6-259F	M2000/6-259F	Standard	9	Socket	N	Brass	Cadmium YP	16-19
M24308/6-260F	M2000/6-260F	Standard	15	Socket	N	Brass	Cadmium YP	16-19
M24308/6-261F	M2000/6-261F	Standard	25	Socket	N	Brass	Cadmium YP	16-19
M24308/6-262F	M2000/6-262F	Standard	37	Socket	N	Brass	Cadmium YP	16-19
M24308/6-263F	M2000/6-263F	Standard	50	Socket	N	Brass	Cadmium YP	16-19
M24308/6-270F	M2000/6-270F	Standard	9	Socket	Y	Brass	Cadmium YP	16-19
M24308/6-271F	M2000/6-271F	Standard	15	Socket	Y	Brass	Cadmium YP	16-19
M24308/6-272F	M2000/6-272F	Standard	25	Socket	Y	Brass	Cadmium YP	16-19
M24308/6-273F	M2000/6-273F	Standard	37	Socket	Y	Brass	Cadmium YP	16-19
M24308/6-274F	M2000/6-274F	Standard	50	Socket	Y	Brass	Cadmium YP	16-19
M24308/6-264F	M2000/6-264F	High Density	15	Socket	N	Brass	Cadmium YP	16-19
M24308/6-265F	M2000/6-265F	High Density	26	Socket	N	Brass	Cadmium YP	16-19
M24308/6-266F	M2000/6-266F	High Density	44	Socket	N	Brass	Cadmium YP	16-19
M24308/6-267F	M2000/6-267F	High Density	62	Socket	N	Brass	Cadmium YP	16-19
M24308/6-268F	M2000/6-268F	High Density	78	Socket	N	Brass	Cadmium YP	16-19
M24308/6-269F	M2000/6-269F	High Density	104	Socket	N	Brass	Cadmium YP	16-19
M24308/6-275F	M2000/6-275F	High Density	15	Socket	Y	Brass	Cadmium YP	16-19
M24308/6-276F	M2000/6-276F	High Density	26	Socket	Y	Brass	Cadmium YP	16-19
M24308/6-277F	M2000/6-277F	High Density	44	Socket	Y	Brass	Cadmium YP	16-19
M24308/6-278F	M2000/6-278F	High Density	62	Socket	Y	Brass	Cadmium YP	16-19
M24308/6-279F	M2000/6-279F	High Density	78	Socket	Y	Brass	Cadmium YP	16-19
M24308/6-280F	M2000/6-280F	High Density	104	Socket	Y	Brass	Cadmium YP	16-19
M24308/6-453F	M2000/6-453F	Standard	9	Socket	N	Brass	Cadmium YP	16-19
M24308/6-454F	M2000/6-454F	Standard	15	Socket	N	Brass	Cadmium YP	16-19
M24308/6-455F	M2000/6-455F	Standard	25	Socket	N	Brass	Cadmium YP	16-19
M24308/6-456F	M2000/6-456F	Standard	37	Socket	N	Brass	Cadmium YP	16-19
M24308/6-457F	M2000/6-457F	Standard	50	Socket	N	Brass	Cadmium YP	16-19
M24308/6-464F	M2000/6-464F	Standard	9	Socket	Y	Brass	Cadmium YP	16-19
M24308/6-465F	M2000/6-465F	Standard	15	Socket	Y	Brass	Cadmium YP	16-19
M24308/6-466F	M2000/6-466F	Standard	25	Socket	Y	Brass	Cadmium YP	16-19
M24308/6-467F	M2000/6-467F	Standard	37	Socket	Y	Brass	Cadmium YP	16-19
M24308/6-468F	M2000/6-468F	Standard	50	Socket	Y	Brass	Cadmium YP	16-19
M24308/6-491F	M2000/6-491F	Standard	9	N	N	Brass	Cadmium YP	16-19
M24308/6-492F	M2000/6-492F	Standard	15	N	N	Brass	Cadmium YP	16-19
M24308/6-493F	M2000/6-493F	Standard	25	N	N	Brass	Cadmium YP	16-19
M24308/6-494F	M2000/6-494F	Standard	37	N	N	Brass	Cadmium YP	16-19
M24308/6-495F	M2000/6-495F	Standard	50	N	N	Brass	Cadmium YP	16-19
M24308/6-458F	M2000/6-458F	High Density	15	Socket	N	Brass	Cadmium YP	16-19
M24308/6-459F	M2000/6-459F	High Density	26	Socket	N	Brass	Cadmium YP	16-19
M24308/6-460F	M2000/6-460F	High Density	44	Socket	N	Brass	Cadmium YP	16-19

* Y- Supplied w/ Connector, N: not supplied w/ Connector, N/A: Not Applicable

Finish: YP- Yellow Passivation

Military	Manufacturers Designation	Type	No. Of Pins	*Contact	*IR	Shell Material	Finish	Pg.
M24308/6-461F	M2000/6-461F	High Density	62	Socket	N	Brass	Cadmium YP	16-19
M24308/6-462F	M2000/6-462F	High Density	78	Socket	N	Brass	Cadmium YP	16-19
M24308/6-463F	M2000/6-463F	High Density	104	Socket	N	Brass	Cadmium YP	16-19
M24308/6-469F	M2000/6-469F	High Density	15	Socket	Y	Brass	Cadmium YP	16-19
M24308/6-470F	M2000/6-470F	High Density	26	Socket	Y	Brass	Cadmium YP	16-19
M24308/6-471F	M2000/6-471F	High Density	44	Socket	Y	Brass	Cadmium YP	16-19
M24308/6-472F	M2000/6-472F	High Density	62	Socket	Y	Brass	Cadmium YP	16-19
M24308/6-473F	M2000/6-473F	High Density	78	Socket	Y	Brass	Cadmium YP	16-19
M24308/6-474F	M2000/6-474F	High Density	104	Socket	Y	Brass	Cadmium YP	16-19
M24308/6-496F	M2000/6-496F	High Density	15	N	N	Brass	Cadmium YP	16-19
M24308/6-497F	M2000/6-497F	High Density	26	N	N	Brass	Cadmium YP	16-19
M24308/6-498F	M2000/6-498F	High Density	44	N	N	Brass	Cadmium YP	16-19
M24308/6-499F	M2000/6-499F	High Density	62	N	N	Brass	Cadmium YP	16-19
M24308/6-500F	M2000/6-500F	High Density	78	N	N	Brass	Cadmium YP	16-19
M24308/6-501F	M2000/6-501F	High Density	104	N	N	Brass	Cadmium YP	16-19
M24308/6-259Z	M2000/6-259Z	Standard	9	Socket	N	Brass	Zinc YP	16-19
M24308/6-260Z	M2000/6-260Z	Standard	15	Socket	N	Brass	Zinc YP	16-19
M24308/6-261Z	M2000/6-261Z	Standard	25	Socket	N	Brass	Zinc YP	16-19
M24308/6-262Z	M2000/6-262Z	Standard	37	Socket	N	Brass	Zinc YP	16-19
M24308/6-263Z	M2000/6-263Z	Standard	50	Socket	N	Brass	Zinc YP	16-19
M24308/6-270Z	M2000/6-270Z	Standard	9	Socket	Y	Brass	Zinc YP	16-19
M24308/6-271Z	M2000/6-271Z	Standard	15	Socket	Y	Brass	Zinc YP	16-19
M24308/6-272Z	M2000/6-272Z	Standard	25	Socket	Y	Brass	Zinc YP	16-19
M24308/6-273Z	M2000/6-273Z	Standard	37	Socket	Y	Brass	Zinc YP	16-19
M24308/6-274Z	M2000/6-274Z	Standard	50	Socket	Y	Brass	Zinc YP	16-19
M24308/6-264Z	M2000/6-264Z	High Density	15	Socket	N	Brass	Zinc YP	16-19
M24308/6-265Z	M2000/6-265Z	High Density	26	Socket	N	Brass	Zinc YP	16-19
M24308/6-266Z	M2000/6-266Z	High Density	44	Socket	N	Brass	Zinc YP	16-19
M24308/6-267Z	M2000/6-267Z	High Density	62	Socket	N	Brass	Zinc YP	16-19
M24308/6-268Z	M2000/6-268Z	High Density	78	Socket	N	Brass	Zinc YP	16-19
M24308/6-269Z	M2000/6-269Z	High Density	104	Socket	N	Brass	Zinc YP	16-19
M24308/6-275Z	M2000/6-275Z	High Density	15	Socket	Y	Brass	Zinc YP	16-19
M24308/6-276Z	M2000/6-276Z	High Density	26	Socket	Y	Brass	Zinc YP	16-19
M24308/6-277Z	M2000/6-277Z	High Density	44	Socket	Y	Brass	Zinc YP	16-19
M24308/6-278Z	M2000/6-278Z	High Density	62	Socket	Y	Brass	Zinc YP	16-19
M24308/6-279Z	M2000/6-279Z	High Density	78	Socket	Y	Brass	Zinc YP	16-19
M24308/6-280Z	M2000/6-280Z	High Density	104	Socket	Y	Brass	Zinc YP	16-19
M24308/6-453Z	M2000/6-453Z	Standard	9	Socket	N	Brass	Zinc YP	16-19
M24308/6-454Z	M2000/6-454Z	Standard	15	Socket	N	Brass	Zinc YP	16-19
M24308/6-455Z	M2000/6-455Z	Standard	25	Socket	N	Brass	Zinc YP	16-19
M24308/6-456Z	M2000/6-456Z	Standard	37	Socket	N	Brass	Zinc YP	16-19
M24308/6-457Z	M2000/6-457Z	Standard	50	Socket	N	Brass	Zinc YP	16-19
M24308/6-464Z	M2000/6-464Z	Standard	9	Socket	Y	Brass	Zinc YP	16-19
M24308/6-465Z	M2000/6-465Z	Standard	15	Socket	Y	Brass	Zinc YP	16-19
M24308/6-466Z	M2000/6-466Z	Standard	25	Socket	Y	Brass	Zinc YP	16-19
M24308/6-467Z	M2000/6-467Z	Standard	37	Socket	Y	Brass	Zinc YP	16-19

* Y- Supplied w/ Connector, N: not supplied w/ Connector, N/A: Not Applicable

Finish: YP- Yellow Passivation

Military	Manufacturers Designation	Type	No. Of Pins	*Contact	*IR	Shell Material	Finish	Pg.
M24308/6-468Z	M2000/6-468Z	Standard	50	Socket	Y	Brass	Zinc YP	16-19
M24308/6-491Z	M2000/6-491Z	Standard	9	N	N	Brass	Zinc YP	16-19
M24308/6-492Z	M2000/6-492Z	Standard	15	N	N	Brass	Zinc YP	16-19
M24308/6-493Z	M2000/6-493Z	Standard	25	N	N	Brass	Zinc YP	16-19
M24308/6-494Z	M2000/6-494Z	Standard	37	N	N	Brass	Zinc YP	16-19
M24308/6-495Z	M2000/6-495Z	Standard	50	N	N	Brass	Zinc YP	16-19
M24308/6-458Z	M2000/6-458Z	High Density	15	Socket	N	Brass	Zinc YP	16-19
M24308/6-459Z	M2000/6-459Z	High Density	26	Socket	N	Brass	Zinc YP	16-19
M24308/6-460Z	M2000/6-460Z	High Density	44	Socket	N	Brass	Zinc YP	16-19
M24308/6-461Z	M2000/6-461Z	High Density	62	Socket	N	Brass	Zinc YP	16-19
M24308/6-462Z	M2000/6-462Z	High Density	78	Socket	N	Brass	Zinc YP	16-19
M24308/6-463Z	M2000/6-463Z	High Density	104	Socket	N	Brass	Zinc YP	16-19
M24308/6-469Z	M2000/6-469Z	High Density	15	Socket	Y	Brass	Zinc YP	16-19
M24308/6-470Z	M2000/6-470Z	High Density	26	Socket	Y	Brass	Zinc YP	16-19
M24308/6-471Z	M2000/6-471Z	High Density	44	Socket	Y	Brass	Zinc YP	16-19
M24308/6-472Z	M2000/6-472Z	High Density	62	Socket	Y	Brass	Zinc YP	16-19
M24308/6-473Z	M2000/6-473Z	High Density	78	Socket	Y	Brass	Zinc YP	16-19
M24308/6-474Z	M2000/6-474Z	High Density	104	Socket	Y	Brass	Zinc YP	16-19
M24308/6-496Z	M2000/6-496Z	High Density	15	N	N	Brass	Zinc YP	16-19
M24308/6-497Z	M2000/6-497Z	High Density	26	N	N	Brass	Zinc YP	16-19
M24308/6-498Z	M2000/6-498Z	High Density	44	N	N	Brass	Zinc YP	16-19
M24308/6-499Z	M2000/6-499Z	High Density	62	N	N	Brass	Zinc YP	16-19
M24308/6-500Z	M2000/6-500Z	High Density	78	N	N	Brass	Zinc YP	16-19
M24308/6-501Z	M2000/6-501Z	High Density	104	N	N	Brass	Zinc YP	16-19
M24308/7-34	M2000/7-34	Standard	9	Pin	N/A	Brass	Gold Plated	20-21
M24308/7-35	M2000/7-35	Standard	15	Pin	N/A	Brass	Gold Plated	20-21
M24308/7-36	M2000/7-36	Standard	25	Pin	N/A	Brass	Gold Plated	20-21
M24308/7-37	M2000/7-37	Standard	37	Pin	N/A	Brass	Gold Plated	20-21
M24308/7-38	M2000/7-38	Standard	50	Pin	N/A	Brass	Gold Plated	20-21
M24308/7-39	M2000/7-39	Standard	9	Pin	N/A	Brass	Gold Plated	20-21
M24308/7-40	M2000/7-40	Standard	15	Pin	N/A	Brass	Gold Plated	20-21
M24308/7-41	M2000/7-41	Standard	25	Pin	N/A	Brass	Gold Plated	20-21
M24308/7-42	M2000/7-42	Standard	37	Pin	N/A	Brass	Gold Plated	20-21
M24308/7-43	M2000/7-43	Standard	50	Pin	N/A	Brass	Gold Plated	20-21
M24308/7-12Z	M2000/7-12Z	Standard	9	Pin	N/A	Brass	Zinc YP	20-21
M24308/7-13Z	M2000/7-13Z	Standard	15	Pin	N/A	Brass	Zinc YP	20-21
M24308/7-14Z	M2000/7-14Z	Standard	25	Pin	N/A	Brass	Zinc YP	20-21
M24308/7-15Z	M2000/7-15Z	Standard	37	Pin	N/A	Brass	Zinc YP	20-21
M24308/7-16Z	M2000/7-16Z	Standard	50	Pin	N/A	Brass	Zinc YP	20-21
M24308/7-17Z	M2000/7-17Z	Standard	9	Pin	N/A	Brass	Zinc YP	20-21
M24308/7-18Z	M2000/7-18Z	Standard	15	Pin	N/A	Brass	Zinc YP	20-21
M24308/7-19Z	M2000/7-19Z	Standard	25	Pin	N/A	Brass	Zinc YP	20-21
M24308/7-20Z	M2000/7-20Z	Standard	37	Pin	N/A	Brass	Zinc YP	20-21
M24308/7-21Z	M2000/7-21Z	Standard	50	Pin	N/A	Brass	Zinc YP	20-21
M24308/7-34	M2000/7-34	Standard	9	Pin	N/A	Brass	Gold Plated	20-21
M24308/7-35	M2000/7-35	Standard	15	Pin	N/A	Brass	Gold Plated	20-21

* Y- Supplied w/ Connector, N: not supplied w/ Connector, N/A: Not Applicable
Finish: YP- Yellow Passivation

Military	Manufacturers Designation	Type	No. Of Pins	*Contact	*IR	Shell Material	Finish	Pg.
M24308/7-36	M2000/7-36	Standard	25	Pin	N/A	Brass	Gold Plated	20-21
M24308/7-37	M2000/7-37	Standard	37	Pin	N/A	Brass	Gold Plated	20-21
M24308/7-38	M2000/7-38	Standard	50	Pin	N/A	Brass	Gold Plated	20-21
M24308/7-39	M2000/7-39	Standard	9	Pin	N/A	Brass	Gold Plated	20-21
M24308/7-40	M2000/7-40	Standard	15	Pin	N/A	Brass	Gold Plated	20-21
M24308/7-41	M2000/7-41	Standard	25	Pin	N/A	Brass	Gold Plated	20-21
M24308/7-42	M2000/7-42	Standard	37	Pin	N/A	Brass	Gold Plated	20-21
M24308/7-43	M2000/7-43	Standard	50	Pin	N/A	Brass	Gold Plated	20-21
M24308/7-1F	M2000/7-1F	Standard	9	Pin	N/A	Brass	Cadmium YP	20-21
M24308/7-2F	M2000/7-2F	Standard	15	Pin	N/A	Brass	Cadmium YP	20-21
M24308/7-3F	M2000/7-3F	Standard	25	Pin	N/A	Brass	Cadmium YP	20-21
M24308/7-4F	M2000/7-4F	Standard	37	Pin	N/A	Brass	Cadmium YP	20-21
M24308/7-5F	M2000/7-5F	Standard	50	Pin	N/A	Brass	Cadmium YP	20-21
M24308/7-1Z	M2000/7-1Z	Standard	9	Pin	N/A	Brass	Zinc YP	20-21
M24308/7-2Z	M2000/7-2Z	Standard	15	Pin	N/A	Brass	Zinc YP	20-21
M24308/7-3Z	M2000/7-3Z	Standard	25	Pin	N/A	Brass	Zinc YP	20-21
M24308/7-4Z	M2000/7-4Z	Standard	37	Pin	N/A	Brass	Zinc YP	20-21
M24308/7-5Z	M2000/7-5Z	Standard	50	Pin	N/A	Brass	Zinc YP	20-21
M24308/7-23	M2000/7-23	Standard	9	Pin	N/A	Brass	Gold	20-21
M24308/7-24	M2000/7-24	Standard	15	Pin	N/A	Brass	Gold	20-21
M24308/7-25	M2000/7-25	Standard	25	Pin	N/A	Brass	Gold	20-21
M24308/7-26	M2000/7-26	Standard	37	Pin	N/A	Brass	Gold	20-21
M24308/7-27	M2000/7-27	Standard	50	Pin	N/A	Brass	Gold	20-21
M24308/8-1F	M2000/8-1F	Standard	9	Pin	N	Brass	Cadmium YP	16-19
M24308/8-2F	M2000/8-2F	Standard	15	Pin	N	Brass	Cadmium YP	16-19
M24308/8-3F	M2000/8-3F	Standard	25	Pin	N	Brass	Cadmium YP	16-19
M24308/8-4F	M2000/8-4F	Standard	37	Pin	N	Brass	Cadmium YP	16-19
M24308/8-5F	M2000/8-5F	Standard	50	Pin	N	Brass	Cadmium YP	16-19
M24308/8-6F	M2000/8-6F	Standard	9	Pin	Y	Brass	Cadmium YP	16-19
M24308/8-7F	M2000/8-7F	Standard	15	Pin	Y	Brass	Cadmium YP	16-19
M24308/8-8F	M2000/8-8F	Standard	25	Pin	Y	Brass	Cadmium YP	16-19
M24308/8-9F	M2000/8-9F	Standard	37	Pin	Y	Brass	Cadmium YP	16-19
M24308/8-10F	M2000/8-10F	Standard	50	Pin	Y	Brass	Cadmium YP	16-19
M24308/8-259F	M2000/8-259F	Standard	9	N	N	Brass	Cadmium YP	16-19
M24308/8-260F	M2000/8-260F	Standard	15	N	N	Brass	Cadmium YP	16-19
M24308/8-261F	M2000/8-261F	Standard	25	N	N	Brass	Cadmium YP	16-19
M24308/8-262F	M2000/8-262F	Standard	37	N	N	Brass	Cadmium YP	16-19
M24308/8-263F	M2000/8-263F	Standard	50	N	N	Brass	Cadmium YP	16-19
M24308/8-11F	M2000/8-11F	High Density	15	Pin	N	Brass	Cadmium YP	16-19
M24308/8-12F	M2000/8-12F	High Density	26	Pin	N	Brass	Cadmium YP	16-19
M24308/8-13F	M2000/8-13F	High Density	44	Pin	N	Brass	Cadmium YP	16-19
M24308/8-14F	M2000/8-14F	High Density	62	Pin	N	Brass	Cadmium YP	16-19
M24308/8-15F	M2000/8-15F	High Density	78	Pin	N	Brass	Cadmium YP	16-19
M24308/8-16F	M2000/8-16F	High Density	104	Pin	N	Brass	Cadmium YP	16-19
M24308/8-17F	M2000/8-17F	High Density	15	Pin	Y	Brass	Cadmium YP	16-19
M24308/8-18F	M2000/8-18F	High Density	26	Pin	Y	Brass	Cadmium YP	16-19

* Y- Supplied w/ Connector, N: not supplied w/ Connector, N/A: Not Applicable

Finish: YP- Yellow Passivation

Military	Manufacturers Designation	Type	No. Of Pins	*Contact	*IR	Shell Material	Finish	Pg.
M24308/8-19F	M2000/8-19F	High Density	44	Pin	Y	Brass	Cadmium YP	16-19
M24308/8-20F	M2000/8-20F	High Density	62	Pin	Y	Brass	Cadmium YP	16-19
M24308/8-21F	M2000/8-21F	High Density	78	Pin	Y	Brass	Cadmium YP	16-19
M24308/8-22F	M2000/8-22F	High Density	104	Pin	Y	Brass	Cadmium YP	16-19
M24308/8-264F	M2000/8-264F	High Density	15	N	N	Brass	Cadmium YP	16-19
M24308/8-265F	M2000/8-265F	High Density	26	N	N	Brass	Cadmium YP	16-19
M24308/8-266F	M2000/8-266F	High Density	44	N	N	Brass	Cadmium YP	16-19
M24308/8-267F	M2000/8-267F	High Density	62	N	N	Brass	Cadmium YP	16-19
M24308/8-268F	M2000/8-268F	High Density	78	N	N	Brass	Cadmium YP	16-19
M24308/8-269F	M2000/8-269F	High Density	104	N	N	Brass	Cadmium YP	16-19
M24308/8-1Z	M2000/8-1Z	Standard	9	Pin	N	Brass	Zinc YP	16-19
M24308/8-2Z	M2000/8-2Z	Standard	15	Pin	N	Brass	Zinc YP	16-19
M24308/8-3Z	M2000/8-3Z	Standard	25	Pin	N	Brass	Zinc YP	16-19
M24308/8-4Z	M2000/8-4Z	Standard	37	Pin	N	Brass	Zinc YP	16-19
M24308/8-5Z	M2000/8-5Z	Standard	50	Pin	N	Brass	Zinc YP	16-19
M24308/8-6Z	M2000/8-6Z	Standard	9	Pin	Y	Brass	Zinc YP	16-19
M24308/8-7Z	M2000/8-7Z	Standard	15	Pin	Y	Brass	Zinc YP	16-19
M24308/8-8Z	M2000/8-8Z	Standard	25	Pin	Y	Brass	Zinc YP	16-19
M24308/8-9Z	M2000/8-9Z	Standard	37	Pin	Y	Brass	Zinc YP	16-19
M24308/8-10Z	M2000/8-10Z	Standard	50	Pin	Y	Brass	Zinc YP	16-19
M24308/8-259Z	M2000/8-259Z	Standard	9	N	N	Brass	Zinc YP	16-19
M24308/8-260Z	M2000/8-260Z	Standard	15	N	N	Brass	Zinc YP	16-19
M24308/8-261Z	M2000/8-261Z	Standard	25	N	N	Brass	Zinc YP	16-19
M24308/8-262Z	M2000/8-262Z	Standard	37	N	N	Brass	Zinc YP	16-19
M24308/8-263Z	M2000/8-263Z	Standard	50	N	N	Brass	Zinc YP	16-19
M24308/8-11Z	M2000/8-11Z	High Density	15	Pin	N	Brass	Zinc YP	16-19
M24308/8-12Z	M2000/8-12Z	High Density	26	Pin	N	Brass	Zinc YP	16-19
M24308/8-13Z	M2000/8-13Z	High Density	44	Pin	N	Brass	Zinc YP	16-19
M24308/8-14Z	M2000/8-14Z	High Density	62	Pin	N	Brass	Zinc YP	16-19
M24308/8-15Z	M2000/8-15Z	High Density	78	Pin	N	Brass	Zinc YP	16-19
M24308/8-16Z	M2000/8-16Z	High Density	104	Pin	N	Brass	Zinc YP	16-19
M24308/8-17Z	M2000/8-17Z	High Density	15	Pin	Y	Brass	Zinc YP	16-19
M24308/8-18Z	M2000/8-18Z	High Density	26	Pin	Y	Brass	Zinc YP	16-19
M24308/8-19Z	M2000/8-19Z	High Density	44	Pin	Y	Brass	Zinc YP	16-19
M24308/8-20Z	M2000/8-20Z	High Density	62	Pin	Y	Brass	Zinc YP	16-19
M24308/8-21Z	M2000/8-21Z	High Density	78	Pin	Y	Brass	Zinc YP	16-19
M24308/8-22Z	M2000/8-22Z	High Density	104	Pin	Y	Brass	Zinc YP	16-19
M24308/8-264Z	M2000/8-264Z	High Density	15	N	N	Brass	Zinc YP	16-19
M24308/8-265Z	M2000/8-265Z	High Density	26	N	N	Brass	Zinc YP	16-19
M24308/8-266Z	M2000/8-266Z	High Density	44	N	N	Brass	Zinc YP	16-19
M24308/8-267Z	M2000/8-267Z	High Density	62	N	N	Brass	Zinc YP	16-19
M24308/8-268Z	M2000/8-268Z	High Density	78	N	N	Brass	Zinc YP	16-19
M24308/8-269Z	M2000/8-269Z	High Density	104	N	N	Brass	Zinc YP	16-19
M24308/8-335	M2000/8-335	Standard	9	Pin	N	Brass	Gold	16-19
M24308/8-336	M2000/8-336	Standard	15	Pin	N	Brass	Gold	16-19
M24308/8-337	M2000/8-337	Standard	25	Pin	N	Brass	Gold	16-19

* Y- Supplied w/ Connector, N: not supplied w/ Connector, N/A: Not Applicable
Finish: YP- Yellow Passivation

Military	Manufacturers Designation	Type	No. Of Pins	*Contact	*IR	Shell Material	Finish	Pg.
M24308/8-338	M2000/8-338	Standard	37	Pin	N	Brass	Gold	16-19
M24308/8-339	M2000/8-339	Standard	50	Pin	N	Brass	Gold	16-19
M24308/8-340	M2000/8-340	Standard	9	Pin	Y	Brass	Gold	16-19
M24308/8-341	M2000/8-341	Standard	15	Pin	Y	Brass	Gold	16-19
M24308/8-342	M2000/8-342	Standard	25	Pin	Y	Brass	Gold	16-19
M24308/8-343	M2000/8-343	Standard	37	Pin	Y	Brass	Gold	16-19
M24308/8-344	M2000/8-344	Standard	50	Pin	Y	Brass	Gold	16-19
M24308/8-357	M2000/8-357	Standard	9	N	N	Brass	Gold	16-19
M24308/8-358	M2000/8-358	Standard	15	N	N	Brass	Gold	16-19
M24308/8-359	M2000/8-359	Standard	25	N	N	Brass	Gold	16-19
M24308/8-360	M2000/8-360	Standard	37	N	N	Brass	Gold	16-19
M24308/8-361	M2000/8-361	Standard	50	N	N	Brass	Gold	16-19
M24308/8-345	M2000/8-345	High Density	15	Pin	N	Brass	Gold	16-19
M24308/8-346	M2000/8-346	High Density	26	Pin	N	Brass	Gold	16-19
M24308/8-347	M2000/8-347	High Density	44	Pin	N	Brass	Gold	16-19
M24308/8-348	M2000/8-348	High Density	62	Pin	N	Brass	Gold	16-19
M24308/8-349	M2000/8-349	High Density	78	Pin	N	Brass	Gold	16-19
M24308/8-350	M2000/8-350	High Density	104	Pin	N	Brass	Gold	16-19
M24308/8-351	M2000/8-351	High Density	15	Pin	Y	Brass	Gold	16-19
M24308/8-352	M2000/8-352	High Density	26	Pin	Y	Brass	Gold	16-19
M24308/8-353	M2000/8-353	High Density	44	Pin	Y	Brass	Gold	16-19
M24308/8-354	M2000/8-354	High Density	62	Pin	Y	Brass	Gold	16-19
M24308/8-355	M2000/8-355	High Density	78	Pin	Y	Brass	Gold	16-19
M24308/8-356	M2000/8-356	High Density	104	Pin	Y	Brass	Gold	16-19
M24308/8-362	M2000/8-362	High Density	15	N	N	Brass	Gold	16-19
M24308/8-363	M2000/8-363	High Density	26	N	N	Brass	Gold	16-19
M24308/8-364	M2000/8-364	High Density	44	N	N	Brass	Gold	16-19
M24308/8-365	M2000/8-365	High Density	62	N	N	Brass	Gold	16-19
M24308/8-366	M2000/8-366	High Density	78	N	N	Brass	Gold	16-19
M24308/8-367	M2000/8-367	High Density	104	N	N	Brass	Gold	16-19
M24308/8-302F	M2000/8-302F	Standard	9	Pin	N	Brass	Cadmium YP	16-19
M24308/8-303F	M2000/8-303F	Standard	15	Pin	N	Brass	Cadmium YP	16-19
M24308/8-304F	M2000/8-304F	Standard	25	Pin	N	Brass	Cadmium YP	16-19
M24308/8-305F	M2000/8-305F	Standard	37	Pin	N	Brass	Cadmium YP	16-19
M24308/8-306F	M2000/8-306F	Standard	50	Pin	N	Brass	Cadmium YP	16-19
M24308/8-313F	M2000/8-313F	Standard	9	Pin	Y	Brass	Cadmium YP	16-19
M24308/8-314F	M2000/8-314F	Standard	15	Pin	Y	Brass	Cadmium YP	16-19
M24308/8-315F	M2000/8-315F	Standard	25	Pin	Y	Brass	Cadmium YP	16-19
M24308/8-316F	M2000/8-316F	Standard	37	Pin	Y	Brass	Cadmium YP	16-19
M24308/8-317F	M2000/8-317F	Standard	50	Pin	Y	Brass	Cadmium YP	16-19
M24308/8-324F	M2000/8-324F	Standard	9	N	N	Brass	Cadmium YP	16-19
M24308/8-325F	M2000/8-325F	Standard	15	N	N	Brass	Cadmium YP	16-19
M24308/8-326F	M2000/8-326F	Standard	25	N	N	Brass	Cadmium YP	16-19
M24308/8-327F	M2000/8-327F	Standard	37	N	N	Brass	Cadmium YP	16-19
M24308/8-328F	M2000/8-328F	Standard	50	N	N	Brass	Cadmium YP	16-19
M24308/8-307F	M2000/8-307F	High Density	15	Pin	N	Brass	Cadmium YP	16-19

* Y- Supplied w/ Connector, N: not supplied w/ Connector, N/A: Not Applicable
Finish: YP- Yellow Passivation

Military	Manufacturers Designation	Type	No. Of Pins	*Contact	*IR	Shell Material	Finish	Pg.
M24308/8-308F	M2000/8-308F	High Density	26	Pin	N	Brass	Cadmium YP	16-19
M24308/8-309F	M2000/8-309F	High Density	44	Pin	N	Brass	Cadmium YP	16-19
M24308/8-310F	M2000/8-310F	High Density	62	Pin	N	Brass	Cadmium YP	16-19
M24308/8-311F	M2000/8-311F	High Density	78	Pin	N	Brass	Cadmium YP	16-19
M24308/8-312F	M2000/8-312F	High Density	104	Pin	N	Brass	Cadmium YP	16-19
M24308/8-318F	M2000/8-318F	High Density	15	Pin	Y	Brass	Cadmium YP	16-19
M24308/8-319F	M2000/8-319F	High Density	26	Pin	Y	Brass	Cadmium YP	16-19
M24308/8-320F	M2000/8-320F	High Density	44	Pin	Y	Brass	Cadmium YP	16-19
M24308/8-321F	M2000/8-321F	High Density	62	Pin	Y	Brass	Cadmium YP	16-19
M24308/8-322F	M2000/8-322F	High Density	78	Pin	Y	Brass	Cadmium YP	16-19
M24308/8-323F	M2000/8-323F	High Density	104	Pin	Y	Brass	Cadmium YP	16-19
M24308/8-329F	M2000/8-329F	High Density	15	N	N	Brass	Cadmium YP	16-19
M24308/8-330F	M2000/8-330F	High Density	26	N	N	Brass	Cadmium YP	16-19
M24308/8-331F	M2000/8-331F	High Density	44	N	N	Brass	Cadmium YP	16-19
M24308/8-332F	M2000/8-332F	High Density	62	N	N	Brass	Cadmium YP	16-19
M24308/8-333F	M2000/8-333F	High Density	78	N	N	Brass	Cadmium YP	16-19
M24308/8-334F	M2000/8-334F	High Density	104	N	N	Brass	Cadmium YP	16-19
M24308/8-435F	M2000/8-435F	Standard	9	Pin	N	Brass	Cadmium YP	16-19
M24308/8-436F	M2000/8-436F	Standard	15	Pin	N	Brass	Cadmium YP	16-19
M24308/8-437F	M2000/8-437F	Standard	25	Pin	N	Brass	Cadmium YP	16-19
M24308/8-438F	M2000/8-438F	Standard	37	Pin	N	Brass	Cadmium YP	16-19
M24308/8-439F	M2000/8-439F	Standard	50	Pin	N	Brass	Cadmium YP	16-19
M24308/8-446F	M2000/8-446F	Standard	9	Pin	Y	Brass	Cadmium YP	16-19
M24308/8-447F	M2000/8-447F	Standard	15	Pin	Y	Brass	Cadmium YP	16-19
M24308/8-448F	M2000/8-448F	Standard	25	Pin	Y	Brass	Cadmium YP	16-19
M24308/8-449F	M2000/8-449F	Standard	37	Pin	Y	Brass	Cadmium YP	16-19
M24308/8-450F	M2000/8-450F	Standard	50	Pin	Y	Brass	Cadmium YP	16-19
M24308/8-457F	M2000/8-457F	Standard	9	N	N	Brass	Cadmium YP	16-19
M24308/8-458F	M2000/8-458F	Standard	15	N	N	Brass	Cadmium YP	16-19
M24308/8-459F	M2000/8-459F	Standard	25	N	N	Brass	Cadmium YP	16-19
M24308/8-460F	M2000/8-460F	Standard	37	N	N	Brass	Cadmium YP	16-19
M24308/8-461F	M2000/8-461F	Standard	50	N	N	Brass	Cadmium YP	16-19
M24308/8-440F	M2000/8-440F	High Density	15	Pin	N	Brass	Cadmium YP	16-19
M24308/8-441F	M2000/8-441F	High Density	26	Pin	N	Brass	Cadmium YP	16-19
M24308/8-442F	M2000/8-442F	High Density	44	Pin	N	Brass	Cadmium YP	16-19
M24308/8-443F	M2000/8-443F	High Density	62	Pin	N	Brass	Cadmium YP	16-19
M24308/8-444F	M2000/8-444F	High Density	78	Pin	N	Brass	Cadmium YP	16-19
M24308/8-445F	M2000/8-445F	High Density	104	Pin	N	Brass	Cadmium YP	16-19
M24308/8-451F	M2000/8-451F	High Density	15	Pin	Y	Brass	Cadmium YP	16-19
M24308/8-452F	M2000/8-452F	High Density	26	Pin	Y	Brass	Cadmium YP	16-19
M24308/8-453F	M2000/8-453F	High Density	44	Pin	Y	Brass	Cadmium YP	16-19
M24308/8-454F	M2000/8-454F	High Density	62	Pin	Y	Brass	Cadmium YP	16-19
M24308/8-455F	M2000/8-455F	High Density	78	Pin	Y	Brass	Cadmium YP	16-19
M24308/8-456F	M2000/8-456F	High Density	104	Pin	Y	Brass	Cadmium YP	16-19
M24308/8-462F	M2000/8-462F	High Density	15	N	N	Brass	Cadmium YP	16-19
M24308/8-463F	M2000/8-463F	High Density	26	N	N	Brass	Cadmium YP	16-19

* Y- Supplied w/ Connector, N: not supplied w/ Connector, N/A: Not Applicable
Finish: YP- Yellow Passivation

Military	Manufacturers Designation	Type	No. Of Pins	*Contact	*IR	Shell Material	Finish	Pg.
M24308/8-464F	M2000/8-464F	High Density	44	N	N	Brass	Cadmium YP	16-19
M24308/8-465F	M2000/8-465F	High Density	62	N	N	Brass	Cadmium YP	16-19
M24308/8-466F	M2000/8-466F	High Density	78	N	N	Brass	Cadmium YP	16-19
M24308/8-467F	M2000/8-467F	High Density	104	N	N	Brass	Cadmium YP	16-19
M24308/8-302Z	M2000/8-302Z	Standard	9	Pin	N	Brass	Zinc YP	16-19
M24308/8-303Z	M2000/8-303Z	Standard	15	Pin	N	Brass	Zinc YP	16-19
M24308/8-304Z	M2000/8-304Z	Standard	25	Pin	N	Brass	Zinc YP	16-19
M24308/8-305Z	M2000/8-305Z	Standard	37	Pin	N	Brass	Zinc YP	16-19
M24308/8-306Z	M2000/8-306Z	Standard	50	Pin	N	Brass	Zinc YP	16-19
M24308/8-313Z	M2000/8-313Z	Standard	9	Pin	Y	Brass	Zinc YP	16-19
M24308/8-314Z	M2000/8-314Z	Standard	15	Pin	Y	Brass	Zinc YP	16-19
M24308/8-315Z	M2000/8-315Z	Standard	25	Pin	Y	Brass	Zinc YP	16-19
M24308/8-316Z	M2000/8-316Z	Standard	37	Pin	Y	Brass	Zinc YP	16-19
M24308/8-317Z	M2000/8-317Z	Standard	50	Pin	Y	Brass	Zinc YP	16-19
M24308/8-324Z	M2000/8-324Z	Standard	9	N	N	Brass	Zinc YP	16-19
M24308/8-325Z	M2000/8-325Z	Standard	15	N	N	Brass	Zinc YP	16-19
M24308/8-326Z	M2000/8-326Z	Standard	25	N	N	Brass	Zinc YP	16-19
M24308/8-327Z	M2000/8-327Z	Standard	37	N	N	Brass	Zinc YP	16-19
M24308/8-328Z	M2000/8-328Z	Standard	50	N	N	Brass	Zinc YP	16-19
M24308/8-307Z	M2000/8-307Z	High Density	15	Pin	N	Brass	Zinc YP	16-19
M24308/8-308Z	M2000/8-308Z	High Density	26	Pin	N	Brass	Zinc YP	16-19
M24308/8-309Z	M2000/8-309Z	High Density	44	Pin	N	Brass	Zinc YP	16-19
M24308/8-310Z	M2000/8-310Z	High Density	62	Pin	N	Brass	Zinc YP	16-19
M24308/8-311Z	M2000/8-311Z	High Density	78	Pin	N	Brass	Zinc YP	16-19
M24308/8-312Z	M2000/8-312Z	High Density	104	Pin	N	Brass	Zinc YP	16-19
M24308/8-318Z	M2000/8-318Z	High Density	15	Pin	Y	Brass	Zinc YP	16-19
M24308/8-319Z	M2000/8-319Z	High Density	26	Pin	Y	Brass	Zinc YP	16-19
M24308/8-320Z	M2000/8-320Z	High Density	44	Pin	Y	Brass	Zinc YP	16-19
M24308/8-321Z	M2000/8-321Z	High Density	62	Pin	Y	Brass	Zinc YP	16-19
M24308/8-322Z	M2000/8-322Z	High Density	78	Pin	Y	Brass	Zinc YP	16-19
M24308/8-323Z	M2000/8-323Z	High Density	104	Pin	Y	Brass	Zinc YP	16-19
M24308/8-329Z	M2000/8-329Z	High Density	15	N	N	Brass	Zinc YP	16-19
M24308/8-330Z	M2000/8-330Z	High Density	26	N	N	Brass	Zinc YP	16-19
M24308/8-331Z	M2000/8-331Z	High Density	44	N	N	Brass	Zinc YP	16-19
M24308/8-332Z	M2000/8-332Z	High Density	62	N	N	Brass	Zinc YP	16-19
M24308/8-333Z	M2000/8-333Z	High Density	78	N	N	Brass	Zinc YP	16-19
M24308/8-334Z	M2000/8-334Z	High Density	104	N	N	Brass	Zinc YP	16-19
M24308/8-435Z	M2000/8-435Z	Standard	9	Pin	N	Brass	Zinc YP	16-19
M24308/8-436Z	M2000/8-436Z	Standard	15	Pin	N	Brass	Zinc YP	16-19
M24308/8-437Z	M2000/8-437Z	Standard	25	Pin	N	Brass	Zinc YP	16-19
M24308/8-438Z	M2000/8-438Z	Standard	37	Pin	N	Brass	Zinc YP	16-19
M24308/8-439Z	M2000/8-439Z	Standard	50	Pin	N	Brass	Zinc YP	16-19
M24308/8-446Z	M2000/8-446Z	Standard	9	Pin	Y	Brass	Zinc YP	16-19
M24308/8-447Z	M2000/8-447Z	Standard	15	Pin	Y	Brass	Zinc YP	16-19
M24308/8-448Z	M2000/8-448Z	Standard	25	Pin	Y	Brass	Zinc YP	16-19
M24308/8-449Z	M2000/8-449Z	Standard	37	Pin	Y	Brass	Zinc YP	16-19

* Y- Supplied w/ Connector, N: not supplied w/ Connector, N/A: Not Applicable
Finish: YP- Yellow Passivation

Military	Manufacturers Designation	Type	No. Of Pins	*Contact	*IR	Shell Material	Finish	Pg.
M24308/8-450Z	M2000/8-450Z	Standard	50	Pin	Y	Brass	Zinc YP	16-19
M24308/8-457Z	M2000/8-457Z	Standard	9	N	N	Brass	Zinc YP	16-19
M24308/8-458Z	M2000/8-458Z	Standard	15	N	N	Brass	Zinc YP	16-19
M24308/8-459Z	M2000/8-459Z	Standard	25	N	N	Brass	Zinc YP	16-19
M24308/8-460Z	M2000/8-460Z	Standard	37	N	N	Brass	Zinc YP	16-19
M24308/8-461Z	M2000/8-461Z	Standard	50	N	N	Brass	Zinc YP	16-19
M24308/8-440Z	M2000/8-440Z	High Density	15	Pin	N	Brass	Zinc YP	16-19
M24308/8-441Z	M2000/8-441Z	High Density	26	Pin	N	Brass	Zinc YP	16-19
M24308/8-442Z	M2000/8-442Z	High Density	44	Pin	N	Brass	Zinc YP	16-19
M24308/8-443Z	M2000/8-443Z	High Density	62	Pin	N	Brass	Zinc YP	16-19
M24308/8-444Z	M2000/8-444Z	High Density	78	Pin	N	Brass	Zinc YP	16-19
M24308/8-445Z	M2000/8-445Z	High Density	104	Pin	N	Brass	Zinc YP	16-19
M24308/8-451Z	M2000/8-451Z	High Density	15	Pin	Y	Brass	Zinc YP	16-19
M24308/8-452Z	M2000/8-452Z	High Density	26	Pin	Y	Brass	Zinc YP	16-19
M24308/8-453Z	M2000/8-453Z	High Density	44	Pin	Y	Brass	Zinc YP	16-19
M24308/8-454Z	M2000/8-454Z	High Density	62	Pin	Y	Brass	Zinc YP	16-19
M24308/8-455Z	M2000/8-455Z	High Density	78	Pin	Y	Brass	Zinc YP	16-19
M24308/8-456Z	M2000/8-456Z	High Density	104	Pin	Y	Brass	Zinc YP	16-19
M24308/8-462Z	M2000/8-462Z	High Density	15	N	N	Brass	Zinc YP	16-19
M24308/8-463Z	M2000/8-463Z	High Density	26	N	N	Brass	Zinc YP	16-19
M24308/8-464Z	M2000/8-464Z	High Density	44	N	N	Brass	Zinc YP	16-19
M24308/8-465Z	M2000/8-465Z	High Density	62	N	N	Brass	Zinc YP	16-19
M24308/8-466Z	M2000/8-466Z	High Density	78	N	N	Brass	Zinc YP	16-19
M24308/8-467Z	M2000/8-467Z	High Density	104	N	N	Brass	Zinc YP	16-19
M24308/8-368	M2000/8-368	Standard	9	Pin	N	Brass	Gold	16-19
M24308/8-369	M2000/8-369	Standard	15	Pin	N	Brass	Gold	16-19
M24308/8-370	M2000/8-370	Standard	25	Pin	N	Brass	Gold	16-19
M24308/8-371	M2000/8-371	Standard	37	Pin	N	Brass	Gold	16-19
M24308/8-372	M2000/8-372	Standard	50	Pin	N	Brass	Gold	16-19
M24308/8-379	M2000/8-379	Standard	9	Pin	Y	Brass	Gold	16-19
M24308/8-380	M2000/8-380	Standard	15	Pin	Y	Brass	Gold	16-19
M24308/8-381	M2000/8-381	Standard	25	Pin	Y	Brass	Gold	16-19
M24308/8-382	M2000/8-382	Standard	37	Pin	Y	Brass	Gold	16-19
M24308/8-383	M2000/8-383	Standard	50	Pin	Y	Brass	Gold	16-19
M24308/8-390	M2000/8-390	Standard	9	N	N	Brass	Gold	16-19
M24308/8-391	M2000/8-391	Standard	15	N	N	Brass	Gold	16-19
M24308/8-392	M2000/8-392	Standard	25	N	N	Brass	Gold	16-19
M24308/8-393	M2000/8-393	Standard	37	N	N	Brass	Gold	16-19
M24308/8-394	M2000/8-394	Standard	50	N	N	Brass	Gold	16-19
M24308/8-373	M2000/8-373	High Density	15	Pin	N	Brass	Gold	16-19
M24308/8-374	M2000/8-374	High Density	26	Pin	N	Brass	Gold	16-19
M24308/8-375	M2000/8-375	High Density	44	Pin	N	Brass	Gold	16-19
M24308/8-376	M2000/8-376	High Density	62	Pin	N	Brass	Gold	16-19
M24308/8-377	M2000/8-377	High Density	78	Pin	N	Brass	Gold	16-19
M24308/8-378	M2000/8-378	High Density	104	Pin	N	Brass	Gold	16-19
M24308/8-384	M2000/8-384	High Density	15	Pin	Y	Brass	Gold	16-19

* Y- Supplied w/ Connector, N: not supplied w/ Connector, N/A: Not Applicable
Finish: YP- Yellow Passivation

Military	Manufacturers Designation	Type	No. Of Pins	*Contact	*IR	Shell Material	Finish	Pg.
M24308/8-385	M2000/8-385	High Density	26	Pin	Y	Brass	Gold	16-19
M24308/8-386	M2000/8-386	High Density	44	Pin	Y	Brass	Gold	16-19
M24308/8-387	M2000/8-387	High Density	62	Pin	Y	Brass	Gold	16-19
M24308/8-388	M2000/8-388	High Density	78	Pin	Y	Brass	Gold	16-19
M24308/8-389	M2000/8-389	High Density	104	Pin	Y	Brass	Gold	16-19
M24308/8-395	M2000/8-395	High Density	15	N	N	Brass	Gold	16-19
M24308/8-396	M2000/8-396	High Density	26	N	N	Brass	Gold	16-19
M24308/8-397	M2000/8-397	High Density	44	N	N	Brass	Gold	16-19
M24308/8-398	M2000/8-398	High Density	62	N	N	Brass	Gold	16-19
M24308/8-399	M2000/8-399	High Density	78	N	N	Brass	Gold	16-19
M24308/8-400	M2000/8-400	High Density	104	N	N	Brass	Gold	16-19
M24308/8-401	M2000/8-401	Standard	9	Pin	N	Brass	Gold	16-19
M24308/8-402	M2000/8-402	Standard	15	Pin	N	Brass	Gold	16-19
M24308/8-403	M2000/8-403	Standard	25	Pin	N	Brass	Gold	16-19
M24308/8-404	M2000/8-404	Standard	37	Pin	N	Brass	Gold	16-19
M24308/8-405	M2000/8-405	Standard	50	Pin	N	Brass	Gold	16-19
M24308/8-412	M2000/8-412	Standard	9	Pin	Y	Brass	Gold	16-19
M24308/8-413	M2000/8-413	Standard	15	Pin	Y	Brass	Gold	16-19
M24308/8-414	M2000/8-414	Standard	25	Pin	Y	Brass	Gold	16-19
M24308/8-415	M2000/8-415	Standard	37	Pin	Y	Brass	Gold	16-19
M24308/8-416	M2000/8-416	Standard	50	Pin	Y	Brass	Gold	16-19
M24308/8-423	M2000/8-423	Standard	9	N	N	Brass	Gold	16-19
M24308/8-424	M2000/8-424	Standard	15	N	N	Brass	Gold	16-19
M24308/8-425	M2000/8-425	Standard	25	N	N	Brass	Gold	16-19
M24308/8-426	M2000/8-426	Standard	37	N	N	Brass	Gold	16-19
M24308/8-427	M2000/8-427	Standard	50	N	N	Brass	Gold	16-19
M24308/8-406	M2000/8-406	High Density	15	Pin	N	Brass	Gold	16-19
M24308/8-407	M2000/8-407	High Density	26	Pin	N	Brass	Gold	16-19
M24308/8-408	M2000/8-408	High Density	44	Pin	N	Brass	Gold	16-19
M24308/8-409	M2000/8-409	High Density	62	Pin	N	Brass	Gold	16-19
M24308/8-410	M2000/8-410	High Density	78	Pin	N	Brass	Gold	16-19
M24308/8-411	M2000/8-411	High Density	104	Pin	N	Brass	Gold	16-19
M24308/8-417	M2000/8-417	High Density	15	Pin	Y	Brass	Gold	16-19
M24308/8-418	M2000/8-418	High Density	26	Pin	Y	Brass	Gold	16-19
M24308/8-419	M2000/8-419	High Density	44	Pin	Y	Brass	Gold	16-19
M24308/8-420	M2000/8-420	High Density	62	Pin	Y	Brass	Gold	16-19
M24308/8-421	M2000/8-421	High Density	78	Pin	Y	Brass	Gold	16-19
M24308/8-422	M2000/8-422	High Density	104	Pin	Y	Brass	Gold	16-19
M24308/8-428	M2000/8-428	High Density	15	N	N	Brass	Gold	16-19
M24308/8-429	M2000/8-429	High Density	26	N	N	Brass	Gold	16-19
M24308/8-430	M2000/8-430	High Density	44	N	N	Brass	Gold	16-19
M24308/8-431	M2000/8-431	High Density	62	N	N	Brass	Gold	16-19
M24308/8-432	M2000/8-432	High Density	78	N	N	Brass	Gold	16-19
M24308/8-433	M2000/8-433	High Density	104	N	N	Brass	Gold	16-19
M24308/23-25F	M2000/23-25F	Standard	9	Socket	N/A	Steel	Cadmium YP	22-30
M24308/23-26F	M2000/23-26F	Standard	15	Socket	N/A	Steel	Cadmium YP	22-30

* Y- Supplied w/ Connector, N: not supplied w/ Connector, N/A: Not Applicable

Finish: YP- Yellow Passivation

Military	Manufacturers Designation	Type	No. Of Pins	*Contact	*IR	Shell Material	Finish	Pg.
M24308/23-27F	M2000/23-27F	Standard	25	Socket	N/A	Steel	Cadmium YP	22-30
M24308/23-28F	M2000/23-28F	Standard	37	Socket	N/A	Steel	Cadmium YP	22-30
M24308/23-29F	M2000/23-29F	Standard	50	Socket	N/A	Steel	Cadmium YP	22-30
M24308/23-31F	M2000/23-31F	Standard	9	Socket	N/A	Steel	Cadmium YP	22-30
M24308/23-32F	M2000/23-32F	Standard	15	Socket	N/A	Steel	Cadmium YP	22-30
M24308/23-33F	M2000/23-33F	Standard	25	Socket	N/A	Steel	Cadmium YP	22-30
M24308/23-34F	M2000/23-34F	Standard	37	Socket	N/A	Steel	Cadmium YP	22-30
M24308/23-35F	M2000/23-35F	Standard	50	Socket	N/A	Steel	Cadmium YP	22-30
M24308/23-37F	M2000/23-37F	Standard	9	Socket	N/A	Steel	Cadmium YP	22-30
M24308/23-38F	M2000/23-38F	Standard	15	Socket	N/A	Steel	Cadmium YP	22-30
M24308/23-39F	M2000/23-39F	Standard	25	Socket	N/A	Steel	Cadmium YP	22-30
M24308/23-40F	M2000/23-40F	Standard	37	Socket	N/A	Steel	Cadmium YP	22-30
M24308/23-41F	M2000/23-41F	Standard	50	Socket	N/A	Steel	Cadmium YP	22-30
M24308/23-43F	M2000/23-43F	Standard	9	Socket	N/A	Steel	Cadmium YP	22-30
M24308/23-44F	M2000/23-44F	Standard	15	Socket	N/A	Steel	Cadmium YP	22-30
M24308/23-45F	M2000/23-45F	Standard	25	Socket	N/A	Steel	Cadmium YP	22-30
M24308/23-46F	M2000/23-46F	Standard	37	Socket	N/A	Steel	Cadmium YP	22-30
M24308/23-47F	M2000/23-47F	Standard	50	Socket	N/A	Steel	Cadmium YP	22-30
M24308/23-49F	M2000/23-49F	Standard	9	Socket	N/A	Steel	Cadmium YP	22-30
M24308/23-50F	M2000/23-50F	Standard	15	Socket	N/A	Steel	Cadmium YP	22-30
M24308/23-51F	M2000/23-51F	Standard	25	Socket	N/A	Steel	Cadmium YP	22-30
M24308/23-52F	M2000/23-52F	Standard	37	Socket	N/A	Steel	Cadmium YP	22-30
M24308/23-53F	M2000/23-53F	Standard	50	Socket	N/A	Steel	Cadmium YP	22-30
M24308/23-55F	M2000/23-55F	Standard	9	Socket	N/A	Steel	Cadmium YP	22-30
M24308/23-56F	M2000/23-56F	Standard	15	Socket	N/A	Steel	Cadmium YP	22-30
M24308/23-57F	M2000/23-57F	Standard	25	Socket	N/A	Steel	Cadmium YP	22-30
M24308/23-58F	M2000/23-58F	Standard	37	Socket	N/A	Steel	Cadmium YP	22-30
M24308/23-59F	M2000/23-59F	Standard	50	Socket	N/A	Steel	Cadmium YP	22-30
M24308/23-73F	M2000/23-73F	High Density	15	Socket	N/A	Steel	Cadmium YP	22-30
M24308/23-74F	M2000/23-74F	High Density	26	Socket	N/A	Steel	Cadmium YP	22-30
M24308/23-75F	M2000/23-75F	High Density	44	Socket	N/A	Steel	Cadmium YP	22-30
M24308/23-76F	M2000/23-76F	High Density	62	Socket	N/A	Steel	Cadmium YP	22-30
M24308/23-77F	M2000/23-77F	High Density	78	Socket	N/A	Steel	Cadmium YP	22-30
M24308/23-225F	M2000/23-225F	Standard	9	Socket	N/A	Brass	Cadmium YP	22-30
M24308/23-226F	M2000/23-226F	Standard	15	Socket	N/A	Brass	Cadmium YP	22-30
M24308/23-227F	M2000/23-227F	Standard	25	Socket	N/A	Brass	Cadmium YP	22-30
M24308/23-228F	M2000/23-228F	Standard	37	Socket	N/A	Brass	Cadmium YP	22-30
M24308/23-229F	M2000/23-229F	Standard	50	Socket	N/A	Brass	Cadmium YP	22-30
M24308/23-231F	M2000/23-231F	Standard	9	Socket	N/A	Brass	Cadmium YP	22-30
M24308/23-232F	M2000/23-232F	Standard	15	Socket	N/A	Brass	Cadmium YP	22-30
M24308/23-233F	M2000/23-233F	Standard	25	Socket	N/A	Brass	Cadmium YP	22-30
M24308/23-234F	M2000/23-234F	Standard	37	Socket	N/A	Brass	Cadmium YP	22-30
M24308/23-235F	M2000/23-235F	Standard	50	Socket	N/A	Brass	Cadmium YP	22-30
M24308/23-237F	M2000/23-237F	Standard	9	Socket	N/A	Brass	Cadmium YP	22-30
M24308/23-238F	M2000/23-238F	Standard	15	Socket	N/A	Brass	Cadmium YP	22-30
M24308/23-239F	M2000/23-239F	Standard	25	Socket	N/A	Brass	Cadmium YP	22-30

* Y- Supplied w/ Connector, N: not supplied w/ Connector, N/A: Not Applicable

Finish: YP- Yellow Passivation

Military	Manufacturers Designation	Type	No. Of Pins	*Contact	*IR	Shell Material	Finish	Pg.
M24308/23-240F	M2000/23-240F	Standard	37	Socket	N/A	Brass	Cadmium YP	22-30
M24308/23-241F	M2000/23-241F	Standard	50	Socket	N/A	Brass	Cadmium YP	22-30
M24308/23-243F	M2000/23-243F	Standard	9	Socket	N/A	Brass	Cadmium YP	22-30
M24308/23-244F	M2000/23-244F	Standard	15	Socket	N/A	Brass	Cadmium YP	22-30
M24308/23-245F	M2000/23-245F	Standard	25	Socket	N/A	Brass	Cadmium YP	22-30
M24308/23-246F	M2000/23-246F	Standard	37	Socket	N/A	Brass	Cadmium YP	22-30
M24308/23-247F	M2000/23-247F	Standard	50	Socket	N/A	Brass	Cadmium YP	22-30
M24308/23-249F	M2000/23-249F	Standard	9	Socket	N/A	Brass	Cadmium YP	22-30
M24308/23-250F	M2000/23-250F	Standard	15	Socket	N/A	Brass	Cadmium YP	22-30
M24308/23-251F	M2000/23-251F	Standard	25	Socket	N/A	Brass	Cadmium YP	22-30
M24308/23-252F	M2000/23-252F	Standard	37	Socket	N/A	Brass	Cadmium YP	22-30
M24308/23-253F	M2000/23-253F	Standard	50	Socket	N/A	Brass	Cadmium YP	22-30
M24308/23-255F	M2000/23-255F	Standard	9	Socket	N/A	Brass	Cadmium YP	22-30
M24308/23-256F	M2000/23-256F	Standard	15	Socket	N/A	Brass	Cadmium YP	22-30
M24308/23-257F	M2000/23-257F	Standard	25	Socket	N/A	Brass	Cadmium YP	22-30
M24308/23-258F	M2000/23-258F	Standard	37	Socket	N/A	Brass	Cadmium YP	22-30
M24308/23-259F	M2000/23-259F	Standard	50	Socket	N/A	Brass	Cadmium YP	22-30
M24308/23-273F	M2000/23-273F	High Density	15	Socket	N/A	Brass	Cadmium YP	22-30
M24308/23-274F	M2000/23-274F	High Density	26	Socket	N/A	Brass	Cadmium YP	22-30
M24308/23-275F	M2000/23-275F	High Density	44	Socket	N/A	Brass	Cadmium YP	22-30
M24308/23-276F	M2000/23-276F	High Density	62	Socket	N/A	Brass	Cadmium YP	22-30
M24308/23-277F	M2000/23-277F	High Density	78	Socket	N/A	Brass	Cadmium YP	22-30
M24308/23-25Z	M2000/23-25Z	Standard	9	Socket	N/A	Steel	Zinc YP	22-30
M24308/23-26Z	M2000/23-26Z	Standard	15	Socket	N/A	Steel	Zinc YP	22-30
M24308/23-27Z	M2000/23-27Z	Standard	25	Socket	N/A	Steel	Zinc YP	22-30
M24308/23-28Z	M2000/23-28Z	Standard	37	Socket	N/A	Steel	Zinc YP	22-30
M24308/23-29Z	M2000/23-29Z	Standard	50	Socket	N/A	Steel	Zinc YP	22-30
M24308/23-31Z	M2000/23-31Z	Standard	9	Socket	N/A	Steel	Zinc YP	22-30
M24308/23-32Z	M2000/23-32Z	Standard	15	Socket	N/A	Steel	Zinc YP	22-30
M24308/23-33Z	M2000/23-33Z	Standard	25	Socket	N/A	Steel	Zinc YP	22-30
M24308/23-34Z	M2000/23-34Z	Standard	37	Socket	N/A	Steel	Zinc YP	22-30
M24308/23-35Z	M2000/23-35Z	Standard	50	Socket	N/A	Steel	Zinc YP	22-30
M24308/23-37Z	M2000/23-37Z	Standard	9	Socket	N/A	Steel	Zinc YP	22-30
M24308/23-38Z	M2000/23-38Z	Standard	15	Socket	N/A	Steel	Zinc YP	22-30
M24308/23-39Z	M2000/23-39Z	Standard	25	Socket	N/A	Steel	Zinc YP	22-30
M24308/23-40Z	M2000/23-40Z	Standard	37	Socket	N/A	Steel	Zinc YP	22-30
M24308/23-41Z	M2000/23-41Z	Standard	50	Socket	N/A	Steel	Zinc YP	22-30
M24308/23-43Z	M2000/23-43Z	Standard	9	Socket	N/A	Steel	Zinc YP	22-30
M24308/23-44Z	M2000/23-44Z	Standard	15	Socket	N/A	Steel	Zinc YP	22-30
M24308/23-45Z	M2000/23-45Z	Standard	25	Socket	N/A	Steel	Zinc YP	22-30
M24308/23-46Z	M2000/23-46Z	Standard	37	Socket	N/A	Steel	Zinc YP	22-30
M24308/23-47Z	M2000/23-47Z	Standard	50	Socket	N/A	Steel	Zinc YP	22-30
M24308/23-49Z	M2000/23-49Z	Standard	9	Socket	N/A	Steel	Zinc YP	22-30
M24308/23-50Z	M2000/23-50Z	Standard	15	Socket	N/A	Steel	Zinc YP	22-30
M24308/23-51Z	M2000/23-51Z	Standard	25	Socket	N/A	Steel	Zinc YP	22-30
M24308/23-52Z	M2000/23-52Z	Standard	37	Socket	N/A	Steel	Zinc YP	22-30

* Y- Supplied w/ Connector, N: not supplied w/ Connector, N/A: Not Applicable

Finish: YP- Yellow Passivation

Military	Manufacturers Designation	Type	No. Of Pins	*Contact	*IR	Shell Material	Finish	Pg.
M24308/23-53Z	M2000/23-53Z	Standard	50	Socket	N/A	Steel	Zinc YP	22-30
M24308/23-55Z	M2000/23-55Z	Standard	9	Socket	N/A	Steel	Zinc YP	22-30
M24308/23-56Z	M2000/23-56Z	Standard	15	Socket	N/A	Steel	Zinc YP	22-30
M24308/23-57Z	M2000/23-57Z	Standard	25	Socket	N/A	Steel	Zinc YP	22-30
M24308/23-58Z	M2000/23-58Z	Standard	37	Socket	N/A	Steel	Zinc YP	22-30
M24308/23-59Z	M2000/23-59Z	Standard	50	Socket	N/A	Steel	Zinc YP	22-30
M24308/23-73Z	M2000/23-73Z	High Density	15	Socket	N/A	Steel	Zinc YP	22-30
M24308/23-74Z	M2000/23-74Z	High Density	26	Socket	N/A	Steel	Zinc YP	22-30
M24308/23-75Z	M2000/23-75Z	High Density	44	Socket	N/A	Steel	Zinc YP	22-30
M24308/23-76Z	M2000/23-76Z	High Density	62	Socket	N/A	Steel	Zinc YP	22-30
M24308/23-77Z	M2000/23-77Z	High Density	78	Socket	N/A	Steel	Zinc YP	22-30
M24308/23-225Z	M2000/23-225Z	Standard	9	Socket	N/A	Brass	Zinc YP	22-30
M24308/23-226Z	M2000/23-226Z	Standard	15	Socket	N/A	Brass	Zinc YP	22-30
M24308/23-227Z	M2000/23-227Z	Standard	25	Socket	N/A	Brass	Zinc YP	22-30
M24308/23-228Z	M2000/23-228Z	Standard	37	Socket	N/A	Brass	Zinc YP	22-30
M24308/23-229Z	M2000/23-229Z	Standard	50	Socket	N/A	Brass	Zinc YP	22-30
M24308/23-231Z	M2000/23-231Z	Standard	9	Socket	N/A	Brass	Zinc YP	22-30
M24308/23-232Z	M2000/23-232Z	Standard	15	Socket	N/A	Brass	Zinc YP	22-30
M24308/23-233Z	M2000/23-233Z	Standard	25	Socket	N/A	Brass	Zinc YP	22-30
M24308/23-234Z	M2000/23-234Z	Standard	37	Socket	N/A	Brass	Zinc YP	22-30
M24308/23-235Z	M2000/23-235Z	Standard	50	Socket	N/A	Brass	Zinc YP	22-30
M24308/23-237Z	M2000/23-237Z	Standard	9	Socket	N/A	Brass	Zinc YP	22-30
M24308/23-238Z	M2000/23-238Z	Standard	15	Socket	N/A	Brass	Zinc YP	22-30
M24308/23-239Z	M2000/23-239Z	Standard	25	Socket	N/A	Brass	Zinc YP	22-30
M24308/23-240Z	M2000/23-240Z	Standard	37	Socket	N/A	Brass	Zinc YP	22-30
M24308/23-241Z	M2000/23-241Z	Standard	50	Socket	N/A	Brass	Zinc YP	22-30
M24308/23-243Z	M2000/23-243Z	Standard	9	Socket	N/A	Brass	Zinc YP	22-30
M24308/23-244Z	M2000/23-244Z	Standard	15	Socket	N/A	Brass	Zinc YP	22-30
M24308/23-245Z	M2000/23-245Z	Standard	25	Socket	N/A	Brass	Zinc YP	22-30
M24308/23-246Z	M2000/23-246Z	Standard	37	Socket	N/A	Brass	Zinc YP	22-30
M24308/23-247Z	M2000/23-247Z	Standard	50	Socket	N/A	Brass	Zinc YP	22-30
M24308/23-249Z	M2000/23-249Z	Standard	9	Socket	N/A	Brass	Zinc YP	22-30
M24308/23-250Z	M2000/23-250Z	Standard	15	Socket	N/A	Brass	Zinc YP	22-30
M24308/23-251Z	M2000/23-251Z	Standard	25	Socket	N/A	Brass	Zinc YP	22-30
M24308/23-252Z	M2000/23-252Z	Standard	37	Socket	N/A	Brass	Zinc YP	22-30
M24308/23-253Z	M2000/23-253Z	Standard	50	Socket	N/A	Brass	Zinc YP	22-30
M24308/23-255Z	M2000/23-255Z	Standard	9	Socket	N/A	Brass	Zinc YP	22-30
M24308/23-256Z	M2000/23-256Z	Standard	15	Socket	N/A	Brass	Zinc YP	22-30
M24308/23-257Z	M2000/23-257Z	Standard	25	Socket	N/A	Brass	Zinc YP	22-30
M24308/23-258Z	M2000/23-258Z	Standard	37	Socket	N/A	Brass	Zinc YP	22-30
M24308/23-259Z	M2000/23-259Z	Standard	50	Socket	N/A	Brass	Zinc YP	22-30
M24308/23-273Z	M2000/23-273Z	High Density	15	Socket	N/A	Brass	Zinc YP	22-30
M24308/23-274Z	M2000/23-274Z	High Density	26	Socket	N/A	Brass	Zinc YP	22-30
M24308/23-275Z	M2000/23-275Z	High Density	44	Socket	N/A	Brass	Zinc YP	22-30
M24308/23-276Z	M2000/23-276Z	High Density	62	Socket	N/A	Brass	Zinc YP	22-30
M24308/23-277Z	M2000/23-277Z	High Density	78	Socket	N/A	Brass	Zinc YP	22-30

* Y- Supplied w/ Connector, N: not supplied w/ Connector, N/A: Not Applicable

Finish: YP- Yellow Passivation

Military	Manufacturers Designation	Type	No. Of Pins	*Contact	*IR	Shell Material	Finish	Pg.
M24308/23-25K	M2000/23-25K	Standard	9	Socket	N/A	Steel	Zinc Nickel	22-30
M24308/23-26K	M2000/23-26K	Standard	15	Socket	N/A	Steel	Zinc Nickel	22-30
M24308/23-27K	M2000/23-27K	Standard	25	Socket	N/A	Steel	Zinc Nickel	22-30
M24308/23-28K	M2000/23-28K	Standard	37	Socket	N/A	Steel	Zinc Nickel	22-30
M24308/23-29K	M2000/23-29K	Standard	50	Socket	N/A	Steel	Zinc Nickel	22-30
M24308/23-31K	M2000/23-31K	Standard	9	Socket	N/A	Steel	Zinc Nickel	22-30
M24308/23-32K	M2000/23-32K	Standard	15	Socket	N/A	Steel	Zinc Nickel	22-30
M24308/23-33K	M2000/23-33K	Standard	25	Socket	N/A	Steel	Zinc Nickel	22-30
M24308/23-34K	M2000/23-34K	Standard	37	Socket	N/A	Steel	Zinc Nickel	22-30
M24308/23-35K	M2000/23-35K	Standard	50	Socket	N/A	Steel	Zinc Nickel	22-30
M24308/23-37K	M2000/23-37K	Standard	9	Socket	N/A	Steel	Zinc Nickel	22-30
M24308/23-38K	M2000/23-38K	Standard	15	Socket	N/A	Steel	Zinc Nickel	22-30
M24308/23-39K	M2000/23-39K	Standard	25	Socket	N/A	Steel	Zinc Nickel	22-30
M24308/23-40K	M2000/23-40K	Standard	37	Socket	N/A	Steel	Zinc Nickel	22-30
M24308/23-41K	M2000/23-41K	Standard	50	Socket	N/A	Steel	Zinc Nickel	22-30
M24308/23-43K	M2000/23-43K	Standard	9	Socket	N/A	Steel	Zinc Nickel	22-30
M24308/23-44K	M2000/23-44K	Standard	15	Socket	N/A	Steel	Zinc Nickel	22-30
M24308/23-45K	M2000/23-45K	Standard	25	Socket	N/A	Steel	Zinc Nickel	22-30
M24308/23-46K	M2000/23-46K	Standard	37	Socket	N/A	Steel	Zinc Nickel	22-30
M24308/23-47K	M2000/23-47K	Standard	50	Socket	N/A	Steel	Zinc Nickel	22-30
M24308/23-49K	M2000/23-49K	Standard	9	Socket	N/A	Steel	Zinc Nickel	22-30
M24308/23-50K	M2000/23-50K	Standard	15	Socket	N/A	Steel	Zinc Nickel	22-30
M24308/23-51K	M2000/23-51K	Standard	25	Socket	N/A	Steel	Zinc Nickel	22-30
M24308/23-52K	M2000/23-52K	Standard	37	Socket	N/A	Steel	Zinc Nickel	22-30
M24308/23-53K	M2000/23-53K	Standard	50	Socket	N/A	Steel	Zinc Nickel	22-30
M24308/23-55K	M2000/23-55K	Standard	9	Socket	N/A	Steel	Zinc Nickel	22-30
M24308/23-56K	M2000/23-56K	Standard	15	Socket	N/A	Steel	Zinc Nickel	22-30
M24308/23-57K	M2000/23-57K	Standard	25	Socket	N/A	Steel	Zinc Nickel	22-30
M24308/23-58K	M2000/23-58K	Standard	37	Socket	N/A	Steel	Zinc Nickel	22-30
M24308/23-59K	M2000/23-59K	Standard	50	Socket	N/A	Steel	Zinc Nickel	22-30
M24308/23-73K	M2000/23-73K	High Density	15	Socket	N/A	Steel	Zinc Nickel	22-30
M24308/23-74K	M2000/23-74K	High Density	26	Socket	N/A	Steel	Zinc Nickel	22-30
M24308/23-75K	M2000/23-75K	High Density	44	Socket	N/A	Steel	Zinc Nickel	22-30
M24308/23-76K	M2000/23-76K	High Density	62	Socket	N/A	Steel	Zinc Nickel	22-30
M24308/23-77K	M2000/23-77K	High Density	78	Socket	N/A	Steel	Zinc Nickel	22-30
M24308/23-325	M2000/23-325	Standard	9	Socket	N/A	Steel	Nickel Plating	22-30
M24308/23-326	M2000/23-326	Standard	15	Socket	N/A	Steel	Nickel Plating	22-30
M24308/23-327	M2000/23-327	Standard	25	Socket	N/A	Steel	Nickel Plating	22-30
M24308/23-328	M2000/23-328	Standard	37	Socket	N/A	Steel	Nickel Plating	22-30
M24308/23-329	M2000/23-329	Standard	50	Socket	N/A	Steel	Nickel Plating	22-30
M24308/23-331	M2000/23-331	Standard	9	Socket	N/A	Steel	Nickel Plating	22-30
M24308/23-332	M2000/23-332	Standard	15	Socket	N/A	Steel	Nickel Plating	22-30
M24308/23-333	M2000/23-333	Standard	25	Socket	N/A	Steel	Nickel Plating	22-30
M24308/23-334	M2000/23-334	Standard	37	Socket	N/A	Steel	Nickel Plating	22-30
M24308/23-335	M2000/23-335	Standard	50	Socket	N/A	Steel	Nickel Plating	22-30
M24308/23-337	M2000/23-337	Standard	9	Socket	N/A	Steel	Nickel Plating	22-30

* Y- Supplied w/ Connector, N: not supplied w/ Connector, N/A: Not Applicable

Finish: YP- Yellow Passivation

Military	Manufacturers Designation	Type	No. Of Pins	*Contact	*IR	Shell Material	Finish	Pg.
M24308/23-338	M2000/23-338	Standard	15	Socket	N/A	Steel	Nickel Plating	22-30
M24308/23-339	M2000/23-339	Standard	25	Socket	N/A	Steel	Nickel Plating	22-30
M24308/23-340	M2000/23-340	Standard	37	Socket	N/A	Steel	Nickel Plating	22-30
M24308/23-341	M2000/23-341	Standard	50	Socket	N/A	Steel	Nickel Plating	22-30
M24308/23-343	M2000/23-343	Standard	9	Socket	N/A	Steel	Nickel Plating	22-30
M24308/23-344	M2000/23-344	Standard	15	Socket	N/A	Steel	Nickel Plating	22-30
M24308/23-345	M2000/23-345	Standard	25	Socket	N/A	Steel	Nickel Plating	22-30
M24308/23-346	M2000/23-346	Standard	37	Socket	N/A	Steel	Nickel Plating	22-30
M24308/23-347	M2000/23-347	Standard	50	Socket	N/A	Steel	Nickel Plating	22-30
M24308/23-349	M2000/23-349	Standard	9	Socket	N/A	Steel	Nickel Plating	22-30
M24308/23-350	M2000/23-350	Standard	15	Socket	N/A	Steel	Nickel Plating	22-30
M24308/23-351	M2000/23-351	Standard	25	Socket	N/A	Steel	Nickel Plating	22-30
M24308/23-352	M2000/23-352	Standard	37	Socket	N/A	Steel	Nickel Platinxs	22-30
M24308/23-353	M2000/23-353	Standard	50	Socket	N/A	Steel	Nickel Plating	22-30
M24308/23-355	M2000/23-355	Standard	9	Socket	N/A	Steel	Nickel Plating	22-30
M24308/23-356	M2000/23-356	Standard	15	Socket	N/A	Steel	Nickel Plating	22-30
M24308/23-357	M2000/23-357	Standard	25	Socket	N/A	Steel	Nickel Plating	22-30
M24308/23-358	M2000/23-358	Standard	37	Socket	N/A	Steel	Nickel Plating	22-30
M24308/23-359	M2000/23-359	Standard	50	Socket	N/A	Steel	Nickel Plating	22-30
M24308/23-373	M2000/23-373	High Density	15	Socket	N/A	Steel	Nickel Plating	22-30
M24308/23-374	M2000/23-374	High Density	26	Socket	N/A	Steel	Nickel Plating	22-30
M24308/23-375	M2000/23-375	High Density	44	Socket	N/A	Steel	Nickel Plating	22-30
M24308/23-376	M2000/23-376	High Density	62	Socket	N/A	Steel	Nickel Plating	22-30
M24308/23-377	M2000/23-377	High Density	78	Socket	N/A	Steel	Nickel Plating	22-30
M24308/23-125	M2000/23-125	Standard	9	Socket	N/A	Brass	Gold Plating	22-30
M24308/23-126	M2000/23-126	Standard	15	Socket	N/A	Brass	Gold Plating	22-30
M24308/23-127	M2000/23-127	Standard	25	Socket	N/A	Brass	Gold Plating	22-30
M24308/23-128	M2000/23-128	Standard	37	Socket	N/A	Brass	Gold Plating	22-30
M24308/23-129	M2000/23-129	Standard	50	Socket	N/A	Brass	Gold Plating	22-30
M24308/23-131	M2000/23-131	Standard	9	Socket	N/A	Brass	Gold Plating	22-30
M24308/23-132	M2000/23-132	Standard	15	Socket	N/A	Brass	Gold Plating	22-30
M24308/23-133	M2000/23-133	Standard	25	Socket	N/A	Brass	Gold Plating	22-30
M24308/23-134	M2000/23-134	Standard	37	Socket	N/A	Brass	Gold Plating	22-30
M24308/23-135	M2000/23-135	Standard	50	Socket	N/A	Brass	Gold Plating	22-30
M24308/23-137	M2000/23-137	Standard	9	Socket	N/A	Brass	Gold Plating	22-30
M24308/23-138	M2000/23-138	Standard	15	Socket	N/A	Brass	Gold Plating	22-30
M24308/23-139	M2000/23-139	Standard	25	Socket	N/A	Brass	Gold Plating	22-30
M24308/23-140	M2000/23-140	Standard	37	Socket	N/A	Brass	Gold Plating	22-30
M24308/23-141	M2000/23-141	Standard	50	Socket	N/A	Brass	Gold Plating	22-30
M24308/23-143	M2000/23-143	Standard	9	Socket	N/A	Brass	Gold Plating	22-30
M24308/23-144	M2000/23-144	Standard	15	Socket	N/A	Brass	Gold Plating	22-30
M24308/23-145	M2000/23-145	Standard	25	Socket	N/A	Brass	Gold Plating	22-30
M24308/23-146	M2000/23-146	Standard	37	Socket	N/A	Brass	Gold Plating	22-30
M24308/23-147	M2000/23-147	Standard	50	Socket	N/A	Brass	Gold Plating	22-30
M24308/23-149	M2000/23-149	Standard	9	Socket	N/A	Brass	Gold Plating	22-30
M24308/23-150	M2000/23-150	Standard	15	Socket	N/A	Brass	Gold Plating	22-30

* Y- Supplied w/ Connector, N: not supplied w/ Connector, N/A: Not Applicable

Finish: YP- Yellow Passivation

Military	Manufacturers Designation	Type	No. Of Pins	*Contact	*IR	Shell Material	Finish	Pg.
M24308/23-151	M2000/23-151	Standard	25	Socket	N/A	Brass	Gold Plating	22-30
M24308/23-152	M2000/23-152	Standard	37	Socket	N/A	Brass	Gold Plating	22-30
M24308/23-153	M2000/23-153	Standard	50	Socket	N/A	Brass	Gold Plating	22-30
M24308/23-155	M2000/23-155	Standard	9	Socket	N/A	Brass	Gold Plating	22-30
M24308/23-156	M2000/23-156	Standard	15	Socket	N/A	Brass	Gold Plating	22-30
M24308/23-157	M2000/23-157	Standard	25	Socket	N/A	Brass	Gold Plating	22-30
M24308/23-158	M2000/23-158	Standard	37	Socket	N/A	Brass	Gold Plating	22-30
M24308/23-159	M2000/23-159	Standard	50	Socket	N/A	Brass	Gold Plating	22-30
M24308/23-173	M2000/23-173	High Density	15	Socket	N/A	Brass	Gold Plating	22-30
M24308/23-174	M2000/23-174	High Density	26	Socket	N/A	Brass	Gold Plating	22-30
M24308/23-175	M2000/23-175	High Density	44	Socket	N/A	Brass	Gold Plating	22-30
M24308/23-176	M2000/23-176	High Density	62	Socket	N/A	Brass	Gold Plating	22-30
M24308/23-177	M2000/23-177	High Density	78	Socket	N/A	Brass	Gold Plating	22-30
M24308/23-1F	M2000/23-1F	Standard	9	Socket	N/A	Steel	Cadmium YP	22-30
M24308/23-2F	M2000/23-2F	Standard	15	Socket	N/A	Steel	Cadmium YP	22-30
M24308/23-3F	M2000/23-3F	Standard	25	Socket	N/A	Steel	Cadmium YP	22-30
M24308/23-4F	M2000/23-4F	Standard	37	Socket	N/A	Steel	Cadmium YP	22-30
M24308/23-5F	M2000/23-5F	Standard	50	Socket	N/A	Steel	Cadmium YP	22-30
M24308/23-7F	M2000/23-7F	Standard	9	Socket	N/A	Steel	Cadmium YP	22-30
M24308/23-8F	M2000/23-8F	Standard	15	Socket	N/A	Steel	Cadmium YP	22-30
M24308/23-9F	M2000/23-9F	Standard	25	Socket	N/A	Steel	Cadmium YP	22-30
M24308/23-10F	M2000/23-10F	Standard	37	Socket	N/A	Steel	Cadmium YP	22-30
M24308/23-11F	M2000/23-11F	Standard	50	Socket	N/A	Steel	Cadmium YP	22-30
M24308/23-13F	M2000/23-13F	Standard	9	Socket	N/A	Steel	Cadmium YP	22-30
M24308/23-14F	M2000/23-14F	Standard	15	Socket	N/A	Steel	Cadmium YP	22-30
M24308/23-15F	M2000/23-15F	Standard	25	Socket	N/A	Steel	Cadmium YP	22-30
M24308/23-16F	M2000/23-16F	Standard	37	Socket	N/A	Steel	Cadmium YP	22-30
M24308/23-17F	M2000/23-17F	Standard	50	Socket	N/A	Steel	Cadmium YP	22-30
M24308/23-19F	M2000/23-19F	Standard	9	Socket	N/A	Steel	Cadmium YP	22-30
M24308/23-20F	M2000/23-20F	Standard	15	Socket	N/A	Steel	Cadmium YP	22-30
M24308/23-21F	M2000/23-21F	Standard	25	Socket	N/A	Steel	Cadmium YP	22-30
M24308/23-22F	M2000/23-22F	Standard	37	Socket	N/A	Steel	Cadmium YP	22-30
M24308/23-23F	M2000/23-23F	Standard	50	Socket	N/A	Steel	Cadmium YP	22-30
M24308/23-61F	M2000/23-61F	High Density	15	Socket	N/A	Steel	Cadmium YP	22-30
M24308/23-62F	M2000/23-62F	High Density	26	Socket	N/A	Steel	Cadmium YP	22-30
M24308/23-63F	M2000/23-63F	High Density	44	Socket	N/A	Steel	Cadmium YP	22-30
M24308/23-64F	M2000/23-64F	High Density	62	Socket	N/A	Steel	Cadmium YP	22-30
M24308/23-65F	M2000/23-65F	High Density	78	Socket	N/A	Steel	Cadmium YP	22-30
M24308/23-67F	M2000/23-67F	High Density	15	Socket	N/A	Steel	Cadmium YP	22-30
M24308/23-68F	M2000/23-68F	High Density	26	Socket	N/A	Steel	Cadmium YP	22-30
M24308/23-69F	M2000/23-69F	High Density	44	Socket	N/A	Steel	Cadmium YP	22-30
M24308/23-70F	M2000/23-70F	High Density	62	Socket	N/A	Steel	Cadmium YP	22-30
M24308/23-71F	M2000/23-71F	High Density	78	Socket	N/A	Steel	Cadmium YP	22-30
M24308/23-201F	M2000/23-201F	Standard	9	Socket	N/A	Brass	Cadmium YP	22-30
M24308/23-202F	M2000/23-202F	Standard	15	Socket	N/A	Brass	Cadmium YP	22-30
M24308/23-203F	M2000/23-203F	Standard	25	Socket	N/A	Brass	Cadmium YP	22-30

* Y- Supplied w/ Connector, N: not supplied w/ Connector, N/A: Not Applicable
Finish: YP- Yellow Passivation

Military	Manufacturers Designation	Type	No. Of Pins	*Contact	*IR	Shell Material	Finish	Pg.
M24308/23-204F	M2000/23-204F	Standard	37	Socket	N/A	Brass	Cadmium YP	22-30
M24308/23-205F	M2000/23-205F	Standard	50	Socket	N/A	Brass	Cadmium YP	22-30
M24308/23-207F	M2000/23-207F	Standard	9	Socket	N/A	Brass	Cadmium YP	22-30
M24308/23-208F	M2000/23-208F	Standard	15	Socket	N/A	Brass	Cadmium YP	22-30
M24308/23-209F	M2000/23-209F	Standard	25	Socket	N/A	Brass	Cadmium YP	22-30
M24308/23-210F	M2000/23-210F	Standard	37	Socket	N/A	Brass	Cadmium YP	22-30
M24308/23-211F	M2000/23-211F	Standard	50	Socket	N/A	Brass	Cadmium YP	22-30
M24308/23-213F	M2000/23-213F	Standard	9	Socket	N/A	Brass	Cadmium YP	22-30
M24308/23-214F	M2000/23-214F	Standard	15	Socket	N/A	Brass	Cadmium YP	22-30
M24308/23-215F	M2000/23-215F	Standard	25	Socket	N/A	Brass	Cadmium YP	22-30
M24308/23-216F	M2000/23-216F	Standard	37	Socket	N/A	Brass	Cadmium YP	22-30
M24308/23-217F	M2000/23-217F	Standard	50	Socket	N/A	Brass	Cadmium YP	22-30
M24308/23-219F	M2000/23-219F	Standard	9	Socket	N/A	Brass	Cadmium YP	22-30
M24308/23-220F	M2000/23-220F	Standard	15	Socket	N/A	Brass	Cadmium YP	22-30
M24308/23-221F	M2000/23-221F	Standard	25	Socket	N/A	Brass	Cadmium YP	22-30
M24308/23-222F	M2000/23-222F	Standard	37	Socket	N/A	Brass	Cadmium YP	22-30
M24308/23-223F	M2000/23-223F	Standard	50	Socket	N/A	Brass	Cadmium YP	22-30
M24308/23-261F	M2000/23-261F	High Density	15	Socket	N/A	Brass	Cadmium YP	22-30
M24308/23-262F	M2000/23-262F	High Density	26	Socket	N/A	Brass	Cadmium YP	22-30
M24308/23-263F	M2000/23-263F	High Density	44	Socket	N/A	Brass	Cadmium YP	22-30
M24308/23-264F	M2000/23-264F	High Density	62	Socket	N/A	Brass	Cadmium YP	22-30
M24308/23-265F	M2000/23-265F	High Density	78	Socket	N/A	Brass	Cadmium YP	22-30
M24308/23-267F	M2000/23-267F	High Density	15	Socket	N/A	Brass	Cadmium YP	22-30
M24308/23-268F	M2000/23-268F	High Density	26	Socket	N/A	Brass	Cadmium YP	22-30
M24308/23-269F	M2000/23-269F	High Density	44	Socket	N/A	Brass	Cadmium YP	22-30
M24308/23-270F	M2000/23-270F	High Density	62	Socket	N/A	Brass	Cadmium YP	22-30
M24308/23-271F	M2000/23-271F	High Density	78	Socket	N/A	Brass	Cadmium YP	22-30
M24308/23-1Z	M2000/23-1Z	Standard	9	Socket	N/A	Steel	Zinc YP	22-30
M24308/23-2Z	M2000/23-2Z	Standard	15	Socket	N/A	Steel	Zinc YP	22-30
M24308/23-3Z	M2000/23-3Z	Standard	25	Socket	N/A	Steel	Zinc YP	22-30
M24308/23-4Z	M2000/23-4Z	Standard	37	Socket	N/A	Steel	Zinc YP	22-30
M24308/23-5Z	M2000/23-5Z	Standard	50	Socket	N/A	Steel	Zinc YP	22-30
M24308/23-7Z	M2000/23-7Z	Standard	9	Socket	N/A	Steel	Zinc YP	22-30
M24308/23-8Z	M2000/23-8Z	Standard	15	Socket	N/A	Steel	Zinc YP	22-30
M24308/23-9Z	M2000/23-9Z	Standard	25	Socket	N/A	Steel	Zinc YP	22-30
M24308/23-10Z	M2000/23-10Z	Standard	37	Socket	N/A	Steel	Zinc YP	22-30
M24308/23-11Z	M2000/23-11Z	Standard	50	Socket	N/A	Steel	Zinc YP	22-30
M24308/23-13Z	M2000/23-13Z	Standard	9	Socket	N/A	Steel	Zinc YP	22-30
M24308/23-14Z	M2000/23-14Z	Standard	15	Socket	N/A	Steel	Zinc YP	22-30
M24308/23-15Z	M2000/23-15Z	Standard	25	Socket	N/A	Steel	Zinc YP	22-30
M24308/23-16Z	M2000/23-16Z	Standard	37	Socket	N/A	Steel	Zinc YP	22-30
M24308/23-17Z	M2000/23-17Z	Standard	50	Socket	N/A	Steel	Zinc YP	22-30
M24308/23-19Z	M2000/23-19Z	Standard	9	Socket	N/A	Steel	Zinc YP	22-30
M24308/23-20Z	M2000/23-20Z	Standard	15	Socket	N/A	Steel	Zinc YP	22-30
M24308/23-21Z	M2000/23-21Z	Standard	25	Socket	N/A	Steel	Zinc YP	22-30
M24308/23-22Z	M2000/23-22Z	Standard	37	Socket	N/A	Steel	Zinc YP	22-30

* Y- Supplied w/ Connector, N: not supplied w/ Connector, N/A: Not Applicable

Finish: YP- Yellow Passivation

Military	Manufacturers Designation	Type	No. Of Pins	*Contact	*IR	Shell Material	Finish	Pg.
M24308/23-23Z	M2000/23-23Z	Standard	50	Socket	N/A	Steel	Zinc YP	22-30
M24308/23-61Z	M2000/23-61Z	High Density	15	Socket	N/A	Steel	Zinc YP	22-30
M24308/23-62Z	M2000/23-62Z	High Density	26	Socket	N/A	Steel	Zinc YP	22-30
M24308/23-63Z	M2000/23-63Z	High Density	44	Socket	N/A	Steel	Zinc YP	22-30
M24308/23-64Z	M2000/23-64Z	High Density	62	Socket	N/A	Steel	Zinc YP	22-30
M24308/23-65Z	M2000/23-65Z	High Density	78	Socket	N/A	Steel	Zinc YP	22-30
M24308/23-67Z	M2000/23-67Z	High Density	15	Socket	N/A	Steel	Zinc YP	22-30
M24308/23-68Z	M2000/23-68Z	High Density	26	Socket	N/A	Steel	Zinc YP	22-30
M24308/23-69Z	M2000/23-69Z	High Density	44	Socket	N/A	Steel	Zinc YP	22-30
M24308/23-70Z	M2000/23-70Z	High Density	62	Socket	N/A	Steel	Zinc YP	22-30
M24308/23-71Z	M2000/23-71Z	High Density	78	Socket	N/A	Steel	Zinc YP	22-30
M24308/23-201Z	M2000/23-201Z	Standard	9	Socket	N/A	Brass	Zinc YP	22-30
M24308/23-202Z	M2000/23-202Z	Standard	15	Socket	N/A	Brass	Zinc YP	22-30
M24308/23-203Z	M2000/23-203Z	Standard	25	Socket	N/A	Brass	Zinc YP	22-30
M24308/23-204Z	M2000/23-204Z	Standard	37	Socket	N/A	Brass	Zinc YP	22-30
M24308/23-205Z	M2000/23-205Z	Standard	50	Socket	N/A	Brass	Zinc YP	22-30
M24308/23-207Z	M2000/23-207Z	Standard	9	Socket	N/A	Brass	Zinc YP	22-30
M24308/23-208Z	M2000/23-208Z	Standard	15	Socket	N/A	Brass	Zinc YP	22-30
M24308/23-209Z	M2000/23-209Z	Standard	25	Socket	N/A	Brass	Zinc YP	22-30
M24308/23-210Z	M2000/23-210Z	Standard	37	Socket	N/A	Brass	Zinc YP	22-30
M24308/23-211Z	M2000/23-211Z	Standard	50	Socket	N/A	Brass	Zinc YP	22-30
M24308/23-213Z	M2000/23-213Z	Standard	9	Socket	N/A	Brass	Zinc YP	22-30
M24308/23-214Z	M2000/23-214Z	Standard	15	Socket	N/A	Brass	Zinc YP	22-30
M24308/23-215Z	M2000/23-215Z	Standard	25	Socket	N/A	Brass	Zinc YP	22-30
M24308/23-216Z	M2000/23-216Z	Standard	37	Socket	N/A	Brass	Zinc YP	22-30
M24308/23-217Z	M2000/23-217Z	Standard	50	Socket	N/A	Brass	Zinc YP	22-30
M24308/23-219Z	M2000/23-219Z	Standard	9	Socket	N/A	Brass	Zinc YP	22-30
M24308/23-220Z	M2000/23-220Z	Standard	15	Socket	N/A	Brass	Zinc YP	22-30
M24308/23-221Z	M2000/23-221Z	Standard	25	Socket	N/A	Brass	Zinc YP	22-30
M24308/23-222Z	M2000/23-222Z	Standard	37	Socket	N/A	Brass	Zinc YP	22-30
M24308/23-223Z	M2000/23-223Z	Standard	50	Socket	N/A	Brass	Zinc YP	22-30
M24308/23-261Z	M2000/23-261Z	High Density	15	Socket	N/A	Brass	Zinc YP	22-30
M24308/23-262Z	M2000/23-262Z	High Density	26	Socket	N/A	Brass	Zinc YP	22-30
M24308/23-263Z	M2000/23-263Z	High Density	44	Socket	N/A	Brass	Zinc YP	22-30
M24308/23-264Z	M2000/23-264Z	High Density	62	Socket	N/A	Brass	Zinc YP	22-30
M24308/23-265Z	M2000/23-265Z	High Density	78	Socket	N/A	Brass	Zinc YP	22-30
M24308/23-266Z	M2000/23-266Z	High Density	104	Socket	N/A	Brass	Zinc YP	22-30
M24308/23-267Z	M2000/23-267Z	High Density	15	Socket	N/A	Brass	Zinc YP	22-30
M24308/23-268Z	M2000/23-268Z	High Density	26	Socket	N/A	Brass	Zinc YP	22-30
M24308/23-269Z	M2000/23-269Z	High Density	44	Socket	N/A	Brass	Zinc YP	22-30
M24308/23-270Z	M2000/23-270Z	High Density	62	Socket	N/A	Brass	Zinc YP	22-30
M24308/23-271Z	M2000/23-271Z	High Density	78	Socket	N/A	Brass	Zinc YP	22-30
M24308/23-272Z	M2000/23-272Z	High Density	104	Socket	N/A	Brass	Zinc YP	22-30
M24308/23-1K	M2000/23-1K	Standard	9	Socket	N/A	Steel	Zinc Nickel Black	22-30
M24308/23-2K	M2000/23-2K	Standard	15	Socket	N/A	Steel	Zinc Nickel Black	22-30
M24308/23-3K	M2000/23-3K	Standard	25	Socket	N/A	Steel	Zinc Nickel Black	22-30

* Y- Supplied w/ Connector, N: not supplied w/ Connector, N/A: Not Applicable

Finish: YP- Yellow Passivation

Military	Manufacturers Designation	Type	No. Of Pins	*Contact	*IR	Shell Material	Finish	Pg.
M24308/23-4K	M2000/23-4K	Standard	37	Socket	N/A	Steel	Zinc Nickel Black	22-30
M24308/23-5K	M2000/23-5K	Standard	50	Socket	N/A	Steel	Zinc Nickel Black	22-30
M24308/23-7K	M2000/23-7K	Standard	9	Socket	N/A	Steel	Zinc Nickel Black	22-30
M24308/23-8K	M2000/23-8K	Standard	15	Socket	N/A	Steel	Zinc Nickel Black	22-30
M24308/23-9K	M2000/23-9K	Standard	25	Socket	N/A	Steel	Zinc Nickel Black	22-30
M24308/23-10K	M2000/23-10K	Standard	37	Socket	N/A	Steel	Zinc Nickel Black	22-30
M24308/23-11K	M2000/23-11K	Standard	50	Socket	N/A	Steel	Zinc Nickel Black	22-30
M24308/23-13K	M2000/23-13K	Standard	9	Socket	N/A	Steel	Zinc Nickel Black	22-30
M24308/23-14K	M2000/23-14K	Standard	15	Socket	N/A	Steel	Zinc Nickel Black	22-30
M24308/23-15K	M2000/23-15K	Standard	25	Socket	N/A	Steel	Zinc Nickel Black	22-30
M24308/23-16K	M2000/23-16K	Standard	37	Socket	N/A	Steel	Zinc Nickel Black	22-30
M24308/23-17K	M2000/23-17K	Standard	50	Socket	N/A	Steel	Zinc Nickel Black	22-30
M24308/23-19K	M2000/23-19K	Standard	9	Socket	N/A	Steel	Zinc Nickel Black	22-30
M24308/23-20K	M2000/23-20K	Standard	15	Socket	N/A	Steel	Zinc Nickel Black	22-30
M24308/23-21K	M2000/23-21K	Standard	25	Socket	N/A	Steel	Zinc Nickel Black	22-30
M24308/23-22K	M2000/23-22K	Standard	37	Socket	N/A	Steel	Zinc Nickel Black	22-30
M24308/23-23K	M2000/23-23K	Standard	50	Socket	N/A	Steel	Zinc Nickel Black	22-30
M24308/23-61K	M2000/23-61K	High Density	15	Socket	N/A	Steel	Zinc Nickel Black	22-30
M24308/23-62K	M2000/23-62K	High Density	26	Socket	N/A	Steel	Zinc Nickel Black	22-30
M24308/23-63K	M2000/23-63K	High Density	44	Socket	N/A	Steel	Zinc Nickel Black	22-30
M24308/23-64K	M2000/23-64K	High Density	62	Socket	N/A	Steel	Zinc Nickel Black	22-30
M24308/23-65K	M2000/23-65K	High Density	78	Socket	N/A	Steel	Zinc Nickel Black	22-30
M24308/23-67K	M2000/23-67K	High Density	15	Socket	N/A	Steel	Zinc Nickel Black	22-30
M24308/23-68K	M2000/23-68K	High Density	26	Socket	N/A	Steel	Zinc Nickel Black	22-30
M24308/23-69K	M2000/23-69K	High Density	44	Socket	N/A	Steel	Zinc Nickel Black	22-30
M24308/23-70K	M2000/23-70K	High Density	62	Socket	N/A	Steel	Zinc Nickel Black	22-30
M24308/23-71K	M2000/23-71K	High Density	78	Socket	N/A	Steel	Zinc Nickel Black	22-30
M24308/23-301	M2000/23-301	Standard	9	Socket	N/A	Steel	Nickel Plating	22-30
M24308/23-302	M2000/23-302	Standard	15	Socket	N/A	Steel	Nickel Plating	22-30
M24308/23-303	M2000/23-303	Standard	25	Socket	N/A	Steel	Nickel Plating	22-30
M24308/23-304	M2000/23-304	Standard	37	Socket	N/A	Steel	Nickel Plating	22-30
M24308/23-305	M2000/23-305	Standard	50	Socket	N/A	Steel	Nickel Plating	22-30
M24308/23-307	M2000/23-307	Standard	9	Socket	N/A	Steel	Nickel Plating	22-30
M24308/23-308	M2000/23-308	Standard	15	Socket	N/A	Steel	Nickel Plating	22-30
M24308/23-309	M2000/23-309	Standard	25	Socket	N/A	Steel	Nickel Plating	22-30
M24308/23-310	M2000/23-310	Standard	37	Socket	N/A	Steel	Nickel Plating	22-30
M24308/23-311	M2000/23-311	Standard	50	Socket	N/A	Steel	Nickel Plating	22-30
M24308/23-313	M2000/23-313	Standard	9	Socket	N/A	Steel	Nickel Plating	22-30
M24308/23-314	M2000/23-314	Standard	15	Socket	N/A	Steel	Nickel Plating	22-30
M24308/23-315	M2000/23-315	Standard	25	Socket	N/A	Steel	Nickel Plating	22-30
M24308/23-316	M2000/23-316	Standard	37	Socket	N/A	Steel	Nickel Plating	22-30
M24308/23-317	M2000/23-317	Standard	50	Socket	N/A	Steel	Nickel Plating	22-30
M24308/23-319	M2000/23-319	Standard	9	Socket	N/A	Steel	Nickel Plating	22-30
M24308/23-320	M2000/23-320	Standard	15	Socket	N/A	Steel	Nickel Plating	22-30
M24308/23-321	M2000/23-321	Standard	25	Socket	N/A	Steel	Nickel Plating	22-30
M24308/23-322	M2000/23-322	Standard	37	Socket	N/A	Steel	Nickel Plating	22-30

* Y- Supplied w/ Connector, N: not supplied w/ Connector, N/A: Not Applicable

Finish: YP- Yellow Passivation

Military	Manufacturers Designation	Type	No. Of Pins	*Contact	*IR	Shell Material	Finish	Pg.
M24308/23-323	M2000/23-323	Standard	50	Socket	N/A	Steel	Nickel Plating	22-30
M24308/23-361	M2000/23-361	High Density	15	Socket	N/A	Steel	Nickel Plating	22-30
M24308/23-362	M2000/23-362	High Density	26	Socket	N/A	Steel	Nickel Plating	22-30
M24308/23-363	M2000/23-363	High Density	44	Socket	N/A	Steel	Nickel Plating	22-30
M24308/23-364	M2000/23-364	High Density	62	Socket	N/A	Steel	Nickel Plating	22-30
M24308/23-365	M2000/23-365	High Density	78	Socket	N/A	Steel	Nickel Plating	22-30
M24308/23-367	M2000/23-367	High Density	15	Socket	N/A	Steel	Nickel Plating	22-30
M24308/23-368	M2000/23-368	High Density	26	Socket	N/A	Steel	Nickel Plating	22-30
M24308/23-369	M2000/23-369	High Density	44	Socket	N/A	Steel	Nickel Plating	22-30
M24308/23-370	M2000/23-370	High Density	62	Socket	N/A	Steel	Nickel Plating	22-30
M24308/23-371	M2000/23-371	High Density	78	Socket	N/A	Steel	Nickel Plating	22-30
M24308/23-101	M2000/23-101	Standard	9	Socket	N/A	Brass	Gold Plating	22-30
M24308/23-102	M2000/23-102	Standard	15	Socket	N/A	Brass	Gold Plating	22-30
M24308/23-103	M2000/23-103	Standard	25	Socket	N/A	Brass	Gold Plating	22-30
M24308/23-104	M2000/23-104	Standard	37	Socket	N/A	Brass	Gold Plating	22-30
M24308/23-105	M2000/23-105	Standard	50	Socket	N/A	Brass	Gold Plating	22-30
M24308/23-107	M2000/23-107	Standard	9	Socket	N/A	Brass	Gold Plating	22-30
M24308/23-108	M2000/23-108	Standard	15	Socket	N/A	Brass	Gold Plating	22-30
M24308/23-109	M2000/23-109	Standard	25	Socket	N/A	Brass	Gold Plating	22-30
M24308/23-110	M2000/23-110	Standard	37	Socket	N/A	Brass	Gold Plating	22-30
M24308/23-111	M2000/23-111	Standard	50	Socket	N/A	Brass	Gold Plating	22-30
M24308/23-113	M2000/23-113	Standard	9	Socket	N/A	Brass	Gold Plating	22-30
M24308/23-114	M2000/23-114	Standard	15	Socket	N/A	Brass	Gold Plating	22-30
M24308/23-115	M2000/23-115	Standard	25	Socket	N/A	Brass	Gold Plating	22-30
M24308/23-116	M2000/23-116	Standard	37	Socket	N/A	Brass	Gold Plating	22-30
M24308/23-117	M2000/23-117	Standard	50	Socket	N/A	Brass	Gold Plating	22-30
M24308/23-119	M2000/23-119	Standard	9	Socket	N/A	Brass	Gold Plating	22-30
M24308/23-120	M2000/23-120	Standard	15	Socket	N/A	Brass	Gold Plating	22-30
M24308/23-121	M2000/23-121	Standard	25	Socket	N/A	Brass	Gold Plating	22-30
M24308/23-122	M2000/23-122	Standard	37	Socket	N/A	Brass	Gold Plating	22-30
M24308/23-123	M2000/23-123	Standard	50	Socket	N/A	Brass	Gold Plating	22-30
M24308/23-161	M2000/23-161	High Density	15	Socket	N/A	Brass	Gold Plating	22-30
M24308/23-162	M2000/23-162	High Density	26	Socket	N/A	Brass	Gold Plating	22-30
M24308/23-163	M2000/23-163	High Density	44	Socket	N/A	Brass	Gold Plating	22-30
M24308/23-164	M2000/23-164	High Density	62	Socket	N/A	Brass	Gold Plating	22-30
M24308/23-165	M2000/23-165	High Density	78	Socket	N/A	Brass	Gold Plating	22-30
M24308/23-166	M2000/23-166	High Density	104	Socket	N/A	Brass	Gold Plating	22-30
M24308/23-167	M2000/23-167	High Density	15	Socket	N/A	Brass	Gold Plating	22-30
M24308/23-168	M2000/23-168	High Density	26	Socket	N/A	Brass	Gold Plating	22-30
M24308/23-169	M2000/23-169	High Density	44	Socket	N/A	Brass	Gold Plating	22-30
M24308/23-170	M2000/23-170	High Density	62	Socket	N/A	Brass	Gold Plating	22-30
M24308/23-171	M2000/23-171	High Density	78	Socket	N/A	Brass	Gold Plating	22-30
M24308/23-172	M2000/23-172	High Density	104	Socket	N/A	Brass	Gold Plating	22-30
M24308/24-25F	M2000/24-25F	Standard	9	Pin	N/A	Steel	Cadmium YP	22-30
M24308/24-26F	M2000/24-26F	Standard	15	Pin	N/A	Steel	Cadmium YP	22-30
M24308/24-27F	M2000/24-27F	Standard	25	Pin	N/A	Steel	Cadmium YP	22-30

* Y- Supplied w/ Connector, N: not supplied w/ Connector, N/A: Not Applicable

Finish: YP- Yellow Passivation

Military	Manufacturers Designation	Type	No. Of Pins	*Contact	*IR	Shell Material	Finish	Pg.
M24308/24-28F	M2000/24-28F	Standard	37	Pin	N/A	Steel	Cadmium YP	22-30
M24308/24-29F	M2000/24-29F	Standard	50	Pin	N/A	Steel	Cadmium YP	22-30
M24308/24-31F	M2000/24-31F	Standard	9	Pin	N/A	Steel	Cadmium YP	22-30
M24308/24-32F	M2000/24-32F	Standard	15	Pin	N/A	Steel	Cadmium YP	22-30
M24308/24-33F	M2000/24-33F	Standard	25	Pin	N/A	Steel	Cadmium YP	22-30
M24308/24-34F	M2000/24-34F	Standard	37	Pin	N/A	Steel	Cadmium YP	22-30
M24308/24-35F	M2000/24-35F	Standard	50	Pin	N/A	Steel	Cadmium YP	22-30
M24308/24-37F	M2000/24-37F	Standard	9	Pin	N/A	Steel	Cadmium YP	22-30
M24308/24-38F	M2000/24-38F	Standard	15	Pin	N/A	Steel	Cadmium YP	22-30
M24308/24-39F	M2000/24-39F	Standard	25	Pin	N/A	Steel	Cadmium YP	22-30
M24308/24-40F	M2000/24-40F	Standard	37	Pin	N/A	Steel	Cadmium YP	22-30
M24308/24-41F	M2000/24-41F	Standard	50	Pin	N/A	Steel	Cadmium YP	22-30
M24308/24-43F	M2000/24-43F	Standard	9	Pin	N/A	Steel	Cadmium YP	22-30
M24308/24-44F	M2000/24-44F	Standard	15	Pin	N/A	Steel	Cadmium YP	22-30
M24308/24-45F	M2000/24-45F	Standard	25	Pin	N/A	Steel	Cadmium YP	22-30
M24308/24-46F	M2000/24-46F	Standard	37	Pin	N/A	Steel	Cadmium YP	22-30
M24308/24-47F	M2000/24-47F	Standard	50	Pin	N/A	Steel	Cadmium YP	22-30
M24308/24-49F	M2000/24-49F	Standard	9	Pin	N/A	Steel	Cadmium YP	22-30
M24308/24-50F	M2000/24-50F	Standard	15	Pin	N/A	Steel	Cadmium YP	22-30
M24308/24-51F	M2000/24-51F	Standard	25	Pin	N/A	Steel	Cadmium YP	22-30
M24308/24-52F	M2000/24-52F	Standard	37	Pin	N/A	Steel	Cadmium YP	22-30
M24308/24-53F	M2000/24-53F	Standard	50	Pin	N/A	Steel	Cadmium YP	22-30
M24308/24-55F	M2000/24-55F	Standard	9	Pin	N/A	Steel	Cadmium YP	22-30
M24308/24-56F	M2000/24-56F	Standard	15	Pin	N/A	Steel	Cadmium YP	22-30
M24308/24-57F	M2000/24-57F	Standard	25	Pin	N/A	Steel	Cadmium YP	22-30
M24308/24-58F	M2000/24-58F	Standard	37	Pin	N/A	Steel	Cadmium YP	22-30
M24308/24-59F	M2000/24-59F	Standard	50	Pin	N/A	Steel	Cadmium YP	22-30
M24308/24-73F	M2000/24-73F	High Density	15	Pin	N/A	Steel	Cadmium YP	22-30
M24308/24-74F	M2000/24-74F	High Density	26	Pin	N/A	Steel	Cadmium YP	22-30
M24308/24-75F	M2000/24-75F	High Density	44	Pin	N/A	Steel	Cadmium YP	22-30
M24308/24-76F	M2000/24-76F	High Density	62	Pin	N/A	Steel	Cadmium YP	22-30
M24308/24-77F	M2000/24-77F	High Density	78	Pin	N/A	Steel	Cadmium YP	22-30
M24308/24-225F	M2000/24-225F	Standard	9	Pin	N/A	Brass	Cadmium YP	22-30
M24308/24-226F	M2000/24-226F	Standard	15	Pin	N/A	Brass	Cadmium YP	22-30
M24308/24-227F	M2000/24-227F	Standard	25	Pin	N/A	Brass	Cadmium YP	22-30
M24308/24-228F	M2000/24-228F	Standard	37	Pin	N/A	Brass	Cadmium YP	22-30
M24308/24-229F	M2000/24-229F	Standard	50	Pin	N/A	Brass	Cadmium YP	22-30
M24308/24-231F	M2000/24-231F	Standard	9	Pin	N/A	Brass	Cadmium YP	22-30
M24308/24-232F	M2000/24-232F	Standard	15	Pin	N/A	Brass	Cadmium YP	22-30
M24308/24-233F	M2000/24-233F	Standard	25	Pin	N/A	Brass	Cadmium YP	22-30
M24308/24-234F	M2000/24-234F	Standard	37	Pin	N/A	Brass	Cadmium YP	22-30
M24308/24-235F	M2000/24-235F	Standard	50	Pin	N/A	Brass	Cadmium YP	22-30
M24308/24-237F	M2000/24-237F	Standard	9	Pin	N/A	Brass	Cadmium YP	22-30
M24308/24-238F	M2000/24-238F	Standard	15	Pin	N/A	Brass	Cadmium YP	22-30
M24308/24-239F	M2000/24-239F	Standard	25	Pin	N/A	Brass	Cadmium YP	22-30
M24308/24-240F	M2000/24-240F	Standard	37	Pin	N/A	Brass	Cadmium YP	22-30

* Y- Supplied w/ Connector, N: not supplied w/ Connector, N/A: Not Applicable
Finish: YP- Yellow Passivation

Military	Manufacturers Designation	Type	No. Of Pins	*Contact	*IR	Shell Material	Finish	Pg.
M24308/24-241F	M2000/24-241F	Standard	50	Pin	N/A	Brass	Cadmium YP	22-30
M24308/24-243F	M2000/24-243F	Standard	9	Pin	N/A	Brass	Cadmium YP	22-30
M24308/24-244F	M2000/24-244F	Standard	15	Pin	N/A	Brass	Cadmium YP	22-30
M24308/24-245F	M2000/24-245F	Standard	25	Pin	N/A	Brass	Cadmium YP	22-30
M24308/24-246F	M2000/24-246F	Standard	37	Pin	N/A	Brass	Cadmium YP	22-30
M24308/24-247F	M2000/24-247F	Standard	50	Pin	N/A	Brass	Cadmium YP	22-30
M24308/24-249F	M2000/24-249F	Standard	9	Pin	N/A	Brass	Cadmium YP	22-30
M24308/24-250F	M2000/24-250F	Standard	15	Pin	N/A	Brass	Cadmium YP	22-30
M24308/24-251F	M2000/24-251F	Standard	25	Pin	N/A	Brass	Cadmium YP	22-30
M24308/24-252F	M2000/24-252F	Standard	37	Pin	N/A	Brass	Cadmium YP	22-30
M24308/24-253F	M2000/24-253F	Standard	50	Pin	N/A	Brass	Cadmium YP	22-30
M24308/24-255F	M2000/24-255F	Standard	9	Pin	N/A	Brass	Cadmium YP	22-30
M24308/24-256F	M2000/24-256F	Standard	15	Pin	N/A	Brass	Cadmium YP	22-30
M24308/24-257F	M2000/24-257F	Standard	25	Pin	N/A	Brass	Cadmium YP	22-30
M24308/24-258F	M2000/24-258F	Standard	37	Pin	N/A	Brass	Cadmium YP	22-30
M24308/24-259F	M2000/24-259F	Standard	50	Pin	N/A	Brass	Cadmium YP	22-30
M24308/24-273F	M2000/24-273F	High Density	15	Pin	N/A	Brass	Cadmium YP	22-30
M24308/24-274F	M2000/24-274F	High Density	26	Pin	N/A	Brass	Cadmium YP	22-30
M24308/24-275F	M2000/24-275F	High Density	44	Pin	N/A	Brass	Cadmium YP	22-30
M24308/24-276F	M2000/24-276F	High Density	62	Pin	N/A	Brass	Cadmium YP	22-30
M24308/24-277F	M2000/24-277F	High Density	78	Pin	N/A	Brass	Cadmium YP	22-30
M24308/24-25Z	M2000/24-25Z	Standard	9	Pin	N/A	Steel	Zinc YP	22-30
M24308/24-26Z	M2000/24-26Z	Standard	15	Pin	N/A	Steel	Zinc YP	22-30
M24308/24-27Z	M2000/24-27Z	Standard	25	Pin	N/A	Steel	Zinc YP	22-30
M24308/24-28Z	M2000/24-28Z	Standard	37	Pin	N/A	Steel	Zinc YP	22-30
M24308/24-29Z	M2000/24-29Z	Standard	50	Pin	N/A	Steel	Zinc YP	22-30
M24308/24-31Z	M2000/24-31Z	Standard	9	Pin	N/A	Steel	Zinc YP	22-30
M24308/24-32Z	M2000/24-32Z	Standard	15	Pin	N/A	Steel	Zinc YP	22-30
M24308/24-33Z	M2000/24-33Z	Standard	25	Pin	N/A	Steel	Zinc YP	22-30
M24308/24-34Z	M2000/24-34Z	Standard	37	Pin	N/A	Steel	Zinc YP	22-30
M24308/24-35Z	M2000/24-35Z	Standard	50	Pin	N/A	Steel	Zinc YP	22-30
M24308/24-37Z	M2000/24-37Z	Standard	9	Pin	N/A	Steel	Zinc YP	22-30
M24308/24-38Z	M2000/24-38Z	Standard	15	Pin	N/A	Steel	Zinc YP	22-30
M24308/24-39Z	M2000/24-39Z	Standard	25	Pin	N/A	Steel	Zinc YP	22-30
M24308/24-40Z	M2000/24-40Z	Standard	37	Pin	N/A	Steel	Zinc YP	22-30
M24308/24-41Z	M2000/24-41Z	Standard	50	Pin	N/A	Steel	Zinc YP	22-30
M24308/24-43Z	M2000/24-43Z	Standard	9	Pin	N/A	Steel	Zinc YP	22-30
M24308/24-44Z	M2000/24-44Z	Standard	15	Pin	N/A	Steel	Zinc YP	22-30
M24308/24-45Z	M2000/24-45Z	Standard	25	Pin	N/A	Steel	Zinc YP	22-30
M24308/24-46Z	M2000/24-46Z	Standard	37	Pin	N/A	Steel	Zinc YP	22-30
M24308/24-47Z	M2000/24-47Z	Standard	50	Pin	N/A	Steel	Zinc YP	22-30
M24308/24-49Z	M2000/24-49Z	Standard	9	Pin	N/A	Steel	Zinc YP	22-30
M24308/24-50Z	M2000/24-50Z	Standard	15	Pin	N/A	Steel	Zinc YP	22-30
M24308/24-51Z	M2000/24-51Z	Standard	25	Pin	N/A	Steel	Zinc YP	22-30
M24308/24-52Z	M2000/24-52Z	Standard	37	Pin	N/A	Steel	Zinc YP	22-30
M24308/24-53Z	M2000/24-53Z	Standard	50	Pin	N/A	Steel	Zinc YP	22-30

* Y- Supplied w/ Connector, N: not supplied w/ Connector, N/A: Not Applicable
Finish: YP- Yellow Passivation

Military	Manufacturers Designation	Type	No. Of Pins	*Contact	*IR	Shell Material	Finish	Pg.
M24308/24-55Z	M2000/24-55Z	Standard	9	Pin	N/A	Steel	Zinc YP	22-30
M24308/24-56Z	M2000/24-56Z	Standard	15	Pin	N/A	Steel	Zinc YP	22-30
M24308/24-57Z	M2000/24-57Z	Standard	25	Pin	N/A	Steel	Zinc YP	22-30
M24308/24-58Z	M2000/24-58Z	Standard	37	Pin	N/A	Steel	Zinc YP	22-30
M24308/24-59Z	M2000/24-59Z	Standard	50	Pin	N/A	Steel	Zinc YP	22-30
M24308/24-73Z	M2000/24-73Z	High Density	15	Pin	N/A	Steel	Zinc YP	22-30
M24308/24-74Z	M2000/24-74Z	High Density	26	Pin	N/A	Steel	Zinc YP	22-30
M24308/24-75Z	M2000/24-75Z	High Density	44	Pin	N/A	Steel	Zinc YP	22-30
M24308/24-76Z	M2000/24-76Z	High Density	62	Pin	N/A	Steel	Zinc YP	22-30
M24308/24-77Z	M2000/24-77Z	High Density	78	Pin	N/A	Steel	Zinc YP	22-30
M24308/24-225Z	M2000/24-225Z	Standard	9	Pin	N/A	Brass	Zinc YP	22-30
M24308/24-226Z	M2000/24-226Z	Standard	15	Pin	N/A	Brass	Zinc YP	22-30
M24308/24-227Z	M2000/24-227Z	Standard	25	Pin	N/A	Brass	Zinc YP	22-30
M24308/24-228Z	M2000/24-228Z	Standard	37	Pin	N/A	Brass	Zinc YP	22-30
M24308/24-229Z	M2000/24-229Z	Standard	50	Pin	N/A	Brass	Zinc YP	22-30
M24308/24-231Z	M2000/24-231Z	Standard	9	Pin	N/A	Brass	Zinc YP	22-30
M24308/24-232Z	M2000/24-232Z	Standard	15	Pin	N/A	Brass	Zinc YP	22-30
M24308/24-233Z	M2000/24-233Z	Standard	25	Pin	N/A	Brass	Zinc YP	22-30
M24308/24-234Z	M2000/24-234Z	Standard	37	Pin	N/A	Brass	Zinc YP	22-30
M24308/24-235Z	M2000/24-235Z	Standard	50	Pin	N/A	Brass	Zinc YP	22-30
M24308/24-237Z	M2000/24-237Z	Standard	9	Pin	N/A	Brass	Zinc YP	22-30
M24308/24-238Z	M2000/24-238Z	Standard	15	Pin	N/A	Brass	Zinc YP	22-30
M24308/24-239Z	M2000/24-239Z	Standard	25	Pin	N/A	Brass	Zinc YP	22-30
M24308/24-240Z	M2000/24-240Z	Standard	37	Pin	N/A	Brass	Zinc YP	22-30
M24308/24-241Z	M2000/24-241Z	Standard	50	Pin	N/A	Brass	Zinc YP	22-30
M24308/24-243Z	M2000/24-243Z	Standard	9	Pin	N/A	Brass	Zinc YP	22-30
M24308/24-244Z	M2000/24-244Z	Standard	15	Pin	N/A	Brass	Zinc YP	22-30
M24308/24-245Z	M2000/24-245Z	Standard	25	Pin	N/A	Brass	Zinc YP	22-30
M24308/24-246Z	M2000/24-246Z	Standard	37	Pin	N/A	Brass	Zinc YP	22-30
M24308/24-247Z	M2000/24-247Z	Standard	50	Pin	N/A	Brass	Zinc YP	22-30
M24308/24-249Z	M2000/24-249Z	Standard	9	Pin	N/A	Brass	Zinc YP	22-30
M24308/24-250Z	M2000/24-250Z	Standard	15	Pin	N/A	Brass	Zinc YP	22-30
M24308/24-251Z	M2000/24-251Z	Standard	25	Pin	N/A	Brass	Zinc YP	22-30
M24308/24-252Z	M2000/24-252Z	Standard	37	Pin	N/A	Brass	Zinc YP	22-30
M24308/24-253Z	M2000/24-253Z	Standard	50	Pin	N/A	Brass	Zinc YP	22-30
M24308/24-255Z	M2000/24-255Z	Standard	9	Pin	N/A	Brass	Zinc YP	22-30
M24308/24-256Z	M2000/24-256Z	Standard	15	Pin	N/A	Brass	Zinc YP	22-30
M24308/24-257Z	M2000/24-257Z	Standard	25	Pin	N/A	Brass	Zinc YP	22-30
M24308/24-258Z	M2000/24-258Z	Standard	37	Pin	N/A	Brass	Zinc YP	22-30
M24308/24-259Z	M2000/24-259Z	Standard	50	Pin	N/A	Brass	Zinc YP	22-30
M24308/24-273Z	M2000/24-273Z	High Density	15	Pin	N/A	Brass	Zinc YP	22-30
M24308/24-274Z	M2000/24-274Z	High Density	26	Pin	N/A	Brass	Zinc YP	22-30
M24308/24-275Z	M2000/24-275Z	High Density	44	Pin	N/A	Brass	Zinc YP	22-30
M24308/24-276Z	M2000/24-276Z	High Density	62	Pin	N/A	Brass	Zinc YP	22-30
M24308/24-277Z	M2000/24-277Z	High Density	78	Pin	N/A	Brass	Zinc YP	22-30
M24308/24-25K	M2000/24-25K	Standard	9	Pin	N/A	Steel	Zinc Nickel	22-30

* Y- Supplied w/ Connector, N: not supplied w/ Connector, N/A: Not Applicable
Finish: YP- Yellow Passivation

Military	Manufacturers Designation	Type	No. Of Pins	*Contact	*IR	Shell Material	Finish	Pg.
M24308/24-26K	M2000/24-26K	Standard	15	Pin	N/A	Steel	Zinc Nickel	22-30
M24308/24-27K	M2000/24-27K	Standard	25	Pin	N/A	Steel	Zinc Nickel	22-30
M24308/24-28K	M2000/24-28K	Standard	37	Pin	N/A	Steel	Zinc Nickel	22-30
M24308/24-29K	M2000/24-29K	Standard	50	Pin	N/A	Steel	Zinc Nickel	22-30
M24308/24-31K	M2000/24-31K	Standard	9	Pin	N/A	Steel	Zinc Nickel	22-30
M24308/24-32K	M2000/24-32K	Standard	15	Pin	N/A	Steel	Zinc Nickel	22-30
M24308/24-33K	M2000/24-33K	Standard	25	Pin	N/A	Steel	Zinc Nickel	22-30
M24308/24-34K	M2000/24-34K	Standard	37	Pin	N/A	Steel	Zinc Nickel	22-30
M24308/24-35K	M2000/24-35K	Standard	50	Pin	N/A	Steel	Zinc Nickel	22-30
M24308/24-37K	M2000/24-37K	Standard	9	Pin	N/A	Steel	Zinc Nickel	22-30
M24308/24-38K	M2000/24-38K	Standard	15	Pin	N/A	Steel	Zinc Nickel	22-30
M24308/24-39K	M2000/24-39K	Standard	25	Pin	N/A	Steel	Zinc Nickel	22-30
M24308/24-40K	M2000/24-40K	Standard	37	Pin	N/A	Steel	Zinc Nickel	22-30
M24308/24-41K	M2000/24-41K	Standard	50	Pin	N/A	Steel	Zinc Nickel	22-30
M24308/24-43K	M2000/24-43K	Standard	9	Pin	N/A	Steel	Zinc Nickel	22-30
M24308/24-44K	M2000/24-44K	Standard	15	Pin	N/A	Steel	Zinc Nickel	22-30
M24308/24-45K	M2000/24-45K	Standard	25	Pin	N/A	Steel	Zinc Nickel	22-30
M24308/24-46K	M2000/24-46K	Standard	37	Pin	N/A	Steel	Zinc Nickel	22-30
M24308/24-47K	M2000/24-47K	Standard	50	Pin	N/A	Steel	Zinc Nickel	22-30
M24308/24-49K	M2000/24-49K	Standard	9	Pin	N/A	Steel	Zinc Nickel	22-30
M24308/24-50K	M2000/24-50K	Standard	15	Pin	N/A	Steel	Zinc Nickel	22-30
M24308/24-51K	M2000/24-51K	Standard	25	Pin	N/A	Steel	Zinc Nickel	22-30
M24308/24-52K	M2000/24-52K	Standard	37	Pin	N/A	Steel	Zinc Nickel	22-30
M24308/24-53K	M2000/24-53K	Standard	50	Pin	N/A	Steel	Zinc Nickel	22-30
M24308/24-55K	M2000/24-55K	Standard	9	Pin	N/A	Steel	Zinc Nickel	22-30
M24308/24-56K	M2000/24-56K	Standard	15	Pin	N/A	Steel	Zinc Nickel	22-30
M24308/24-57K	M2000/24-57K	Standard	25	Pin	N/A	Steel	Zinc Nickel	22-30
M24308/24-58K	M2000/24-58K	Standard	37	Pin	N/A	Steel	Zinc Nickel	22-30
M24308/24-59K	M2000/24-59K	Standard	50	Pin	N/A	Steel	Zinc Nickel	22-30
M24308/24-73K	M2000/24-73K	High Density	15	Pin	N/A	Steel	Zinc Nickel	22-30
M24308/24-74K	M2000/24-74K	High Density	26	Pin	N/A	Steel	Zinc Nickel	22-30
M24308/24-75K	M2000/24-75K	High Density	44	Pin	N/A	Steel	Zinc Nickel	22-30
M24308/24-76K	M2000/24-76K	High Density	62	Pin	N/A	Steel	Zinc Nickel	22-30
M24308/24-77K	M2000/24-77K	High Density	78	Pin	N/A	Steel	Zinc Nickel	22-30
M24308/24-325	M2000/24-325	Standard	9	Pin	N/A	Steel	Nickel Plating	22-30
M24308/24-326	M2000/24-326	Standard	15	Pin	N/A	Steel	Nickel Plating	22-30
M24308/24-327	M2000/24-327	Standard	25	Pin	N/A	Steel	Nickel Plating	22-30
M24308/24-328	M2000/24-328	Standard	37	Pin	N/A	Steel	Nickel Plating	22-30
M24308/24-329	M2000/24-329	Standard	50	Pin	N/A	Steel	Nickel Plating	22-30
M24308/24-331	M2000/24-331	Standard	9	Pin	N/A	Steel	Nickel Plating	22-30
M24308/24-332	M2000/24-332	Standard	15	Pin	N/A	Steel	Nickel Plating	22-30
M24308/24-333	M2000/24-333	Standard	25	Pin	N/A	Steel	Nickel Plating	22-30
M24308/24-334	M2000/24-334	Standard	37	Pin	N/A	Steel	Nickel Plating	22-30
M24308/24-335	M2000/24-335	Standard	50	Pin	N/A	Steel	Nickel Plating	22-30
M24308/24-337	M2000/24-337	Standard	9	Pin	N/A	Steel	Nickel Plating	22-30
M24308/24-338	M2000/24-338	Standard	15	Pin	N/A	Steel	Nickel Plating	22-30

* Y- Supplied w/ Connector, N: not supplied w/ Connector, N/A: Not Applicable
Finish: YP- Yellow Passivation

Military	Manufacturers Designation	Type	No. Of Pins	*Contact	*IR	Shell Material	Finish	Pg.
M24308/24-339	M2000/24-339	Standard	25	Pin	N/A	Steel	Nickel Plating	22-30
M24308/24-340	M2000/24-340	Standard	37	Pin	N/A	Steel	Nickel Plating	22-30
M24308/24-341	M2000/24-341	Standard	50	Pin	N/A	Steel	Nickel Plating	22-30
M24308/24-343	M2000/24-343	Standard	9	Pin	N/A	Steel	Nickel Plating	22-30
M24308/24-344	M2000/24-344	Standard	15	Pin	N/A	Steel	Nickel Plating	22-30
M24308/24-345	M2000/24-345	Standard	25	Pin	N/A	Steel	Nickel Plating	22-30
M24308/24-346	M2000/24-346	Standard	37	Pin	N/A	Steel	Nickel Plating	22-30
M24308/24-347	M2000/24-347	Standard	50	Pin	N/A	Steel	Nickel Plating	22-30
M24308/24-349	M2000/24-349	Standard	9	Pin	N/A	Steel	Nickel Plating	22-30
M24308/24-350	M2000/24-350	Standard	15	Pin	N/A	Steel	Nickel Plating	22-30
M24308/24-351	M2000/24-351	Standard	25	Pin	N/A	Steel	Nickel Plating	22-30
M24308/24-352	M2000/24-352	Standard	37	Pin	N/A	Steel	Nickel Plating	22-30
M24308/24-353	M2000/24-353	Standard	50	Pin	N/A	Steel	Nickel Plating	22-30
M24308/24-355	M2000/24-355	Standard	9	Pin	N/A	Steel	Nickel Plating	22-30
M24308/24-356	M2000/24-356	Standard	15	Pin	N/A	Steel	Nickel Plating	22-30
M24308/24-357	M2000/24-357	Standard	25	Pin	N/A	Steel	Nickel Plating	22-30
M24308/24-358	M2000/24-358	Standard	37	Pin	N/A	Steel	Nickel Plating	22-30
M24308/24-359	M2000/24-359	Standard	50	Pin	N/A	Steel	Nickel Plating	22-30
M24308/24-373	M2000/24-373	High Density	15	Pin	N/A	Steel	Nickel Plating	22-30
M24308/24-374	M2000/24-374	High Density	26	Pin	N/A	Steel	Nickel Plating	22-30
M24308/24-375	M2000/24-375	High Density	44	Pin	N/A	Steel	Nickel Plating	22-30
M24308/24-376	M2000/24-376	High Density	62	Pin	N/A	Steel	Nickel Plating	22-30
M24308/24-377	M2000/24-377	High Density	78	Pin	N/A	Steel	Nickel Plating	22-30
M24308/24-125	M2000/24-125	Standard	9	Pin	N/A	Brass	Gold Plating	22-30
M24308/24-126	M2000/24-126	Standard	15	Pin	N/A	Brass	Gold Plating	22-30
M24308/24-127	M2000/24-127	Standard	25	Pin	N/A	Brass	Gold Plating	22-30
M24308/24-128	M2000/24-128	Standard	37	Pin	N/A	Brass	Gold Plating	22-30
M24308/24-129	M2000/24-129	Standard	50	Pin	N/A	Brass	Gold Plating	22-30
M24308/24-131	M2000/24-131	Standard	9	Pin	N/A	Brass	Gold Plating	22-30
M24308/24-132	M2000/24-132	Standard	15	Pin	N/A	Brass	Gold Plating	22-30
M24308/24-133	M2000/24-133	Standard	25	Pin	N/A	Brass	Gold Plating	22-30
M24308/24-134	M2000/24-134	Standard	37	Pin	N/A	Brass	Gold Plating	22-30
M24308/24-135	M2000/24-135	Standard	50	Pin	N/A	Brass	Gold Plating	22-30
M24308/24-137	M2000/24-137	Standard	9	Pin	N/A	Brass	Gold Plating	22-30
M24308/24-138	M2000/24-138	Standard	15	Pin	N/A	Brass	Gold Plating	22-30
M24308/24-139	M2000/24-139	Standard	25	Pin	N/A	Brass	Gold Plating	22-30
M24308/24-140	M2000/24-140	Standard	37	Pin	N/A	Brass	Gold Plating	22-30
M24308/24-141	M2000/24-141	Standard	50	Pin	N/A	Brass	Gold Plating	22-30
M24308/24-143	M2000/24-143	Standard	9	Pin	N/A	Brass	Gold Plating	22-30
M24308/24-144	M2000/24-144	Standard	15	Pin	N/A	Brass	Gold Plating	22-30
M24308/24-145	M2000/24-145	Standard	25	Pin	N/A	Brass	Gold Plating	22-30
M24308/24-146	M2000/24-146	Standard	37	Pin	N/A	Brass	Gold Plating	22-30
M24308/24-147	M2000/24-147	Standard	50	Pin	N/A	Brass	Gold Plating	22-30
M24308/24-149	M2000/24-149	Standard	9	Pin	N/A	Brass	Gold Plating	22-30
M24308/24-150	M2000/24-150	Standard	15	Pin	N/A	Brass	Gold Plating	22-30
M24308/24-151	M2000/24-151	Standard	25	Pin	N/A	Brass	Gold Plating	22-30

* Y- Supplied w/ Connector, N: not supplied w/ Connector, N/A: Not Applicable
Finish: YP- Yellow Passivation

Military	Manufacturers Designation	Type	No. Of Pins	*Contact	*IR	Shell Material	Finish	Pg.
M24308/24-152	M2000/24-152	Standard	37	Pin	N/A	Brass	Gold Plating	22-30
M24308/24-153	M2000/24-153	Standard	50	Pin	N/A	Brass	Gold Plating	22-30
M24308/24-155	M2000/24-155	Standard	9	Pin	N/A	Brass	Gold Plating	22-30
M24308/24-156	M2000/24-156	Standard	15	Pin	N/A	Brass	Gold Plating	22-30
M24308/24-157	M2000/24-157	Standard	25	Pin	N/A	Brass	Gold Plating	22-30
M24308/24-158	M2000/24-158	Standard	37	Pin	N/A	Brass	Gold Plating	22-30
M24308/24-159	M2000/24-159	Standard	50	Pin	N/A	Brass	Gold Plating	22-30
M24308/24-173	M2000/24-173	High Density	15	Pin	N/A	Brass	Gold Plating	22-30
M24308/24-174	M2000/24-174	High Density	26	Pin	N/A	Brass	Gold Plating	22-30
M24308/24-175	M2000/24-175	High Density	44	Pin	N/A	Brass	Gold Plating	22-30
M24308/24-176	M2000/24-176	High Density	62	Pin	N/A	Brass	Gold Plating	22-30
M24308/24-177	M2000/24-177	High Density	78	Pin	N/A	Brass	Gold Plating	22-30
M24308/24-1F	M2000/24-1F	Standard	9	Pin	N/A	Steel	Cadmium YP	22-30
M24308/24-2F	M2000/24-2F	Standard	15	Pin	N/A	Steel	Cadmium YP	22-30
M24308/24-3F	M2000/24-3F	Standard	25	Pin	N/A	Steel	Cadmium YP	22-30
M24308/24-4F	M2000/24-4F	Standard	37	Pin	N/A	Steel	Cadmium YP	22-30
M24308/24-5F	M2000/24-5F	Standard	50	Pin	N/A	Steel	Cadmium YP	22-30
M24308/24-7F	M2000/24-7F	Standard	9	Pin	N/A	Steel	Cadmium YP	22-30
M24308/24-8F	M2000/24-8F	Standard	15	Pin	N/A	Steel	Cadmium YP	22-30
M24308/24-9F	M2000/24-9F	Standard	25	Pin	N/A	Steel	Cadmium YP	22-30
M24308/24-10F	M2000/24-10F	Standard	37	Pin	N/A	Steel	Cadmium YP	22-30
M24308/24-11F	M2000/24-11F	Standard	50	Pin	N/A	Steel	Cadmium YP	22-30
M24308/24-13F	M2000/24-13F	Standard	9	Pin	N/A	Steel	Cadmium YP	22-30
M24308/24-14F	M2000/24-14F	Standard	15	Pin	N/A	Steel	Cadmium YP	22-30
M24308/24-15F	M2000/24-15F	Standard	25	Pin	N/A	Steel	Cadmium YP	22-30
M24308/24-16F	M2000/24-16F	Standard	37	Pin	N/A	Steel	Cadmium YP	22-30
M24308/24-17F	M2000/24-17F	Standard	50	Pin	N/A	Steel	Cadmium YP	22-30
M24308/24-19F	M2000/24-19F	Standard	9	Pin	N/A	Steel	Cadmium YP	22-30
M24308/24-20F	M2000/24-20F	Standard	15	Pin	N/A	Steel	Cadmium YP	22-30
M24308/24-21F	M2000/24-21F	Standard	25	Pin	N/A	Steel	Cadmium YP	22-30
M24308/24-22F	M2000/24-22F	Standard	37	Pin	N/A	Steel	Cadmium YP	22-30
M24308/24-23F	M2000/24-23F	Standard	50	Pin	N/A	Steel	Cadmium YP	22-30
M24308/24-61F	M2000/24-61F	High Density	15	Pin	N/A	Steel	Cadmium YP	22-30
M24308/24-62F	M2000/24-62F	High Density	26	Pin	N/A	Steel	Cadmium YP	22-30
M24308/24-63F	M2000/24-63F	High Density	44	Pin	N/A	Steel	Cadmium YP	22-30
M24308/24-64F	M2000/24-64F	High Density	62	Pin	N/A	Steel	Cadmium YP	22-30
M24308/24-65F	M2000/24-65F	High Density	78	Pin	N/A	Steel	Cadmium YP	22-30
M24308/24-67F	M2000/24-67F	High Density	15	Pin	N/A	Steel	Cadmium YP	22-30
M24308/24-68F	M2000/24-68F	High Density	26	Pin	N/A	Steel	Cadmium YP	22-30
M24308/24-69F	M2000/24-69F	High Density	44	Pin	N/A	Steel	Cadmium YP	22-30
M24308/24-70F	M2000/24-70F	High Density	62	Pin	N/A	Steel	Cadmium YP	22-30
M24308/24-71F	M2000/24-71F	High Density	78	Pin	N/A	Steel	Cadmium YP	22-30
M24308/24-201F	M2000/24-201F	Standard	9	Pin	N/A	Brass	Cadmium YP	22-30
M24308/24-202F	M2000/24-202F	Standard	15	Pin	N/A	Brass	Cadmium YP	22-30
M24308/24-203F	M2000/24-203F	Standard	25	Pin	N/A	Brass	Cadmium YP	22-30
M24308/24-204F	M2000/24-204F	Standard	37	Pin	N/A	Brass	Cadmium YP	22-30

* Y- Supplied w/ Connector, N: not supplied w/ Connector, N/A: Not Applicable
Finish: YP- Yellow Passivation

Military	Manufacturers Designation	Type	No. Of Pins	*Contact	*IR	Shell Material	Finish	Pg.
M24308/24-205F	M2000/24-205F	Standard	50	Pin	N/A	Brass	Cadmium YP	22-30
M24308/24-207F	M2000/24-207F	Standard	9	Pin	N/A	Brass	Cadmium YP	22-30
M24308/24-208F	M2000/24-208F	Standard	15	Pin	N/A	Brass	Cadmium YP	22-30
M24308/24-209F	M2000/24-209F	Standard	25	Pin	N/A	Brass	Cadmium YP	22-30
M24308/24-210F	M2000/24-210F	Standard	37	Pin	N/A	Brass	Cadmium YP	22-30
M24308/24-211F	M2000/24-211F	Standard	50	Pin	N/A	Brass	Cadmium YP	22-30
M24308/24-213F	M2000/24-213F	Standard	9	Pin	N/A	Brass	Cadmium YP	22-30
M24308/24-214F	M2000/24-214F	Standard	15	Pin	N/A	Brass	Cadmium YP	22-30
M24308/24-215F	M2000/24-215F	Standard	25	Pin	N/A	Brass	Cadmium YP	22-30
M24308/24-216F	M2000/24-216F	Standard	37	Pin	N/A	Brass	Cadmium YP	22-30
M24308/24-217F	M2000/24-217F	Standard	50	Pin	N/A	Brass	Cadmium YP	22-30
M24308/24-219F	M2000/24-219F	Standard	9	Pin	N/A	Brass	Cadmium YP	22-30
M24308/24-220F	M2000/24-220F	Standard	15	Pin	N/A	Brass	Cadmium YP	22-30
M24308/24-221F	M2000/24-221F	Standard	25	Pin	N/A	Brass	Cadmium YP	22-30
M24308/24-222F	M2000/24-222F	Standard	37	Pin	N/A	Brass	Cadmium YP	22-30
M24308/24-223F	M2000/24-223F	Standard	50	Pin	N/A	Brass	Cadmium YP	22-30
M24308/24-261F	M2000/24-261F	High Density	15	Pin	N/A	Brass	Cadmium YP	22-30
M24308/24-262F	M2000/24-262F	High Density	26	Pin	N/A	Brass	Cadmium YP	22-30
M24308/24-263F	M2000/24-263F	High Density	44	Pin	N/A	Brass	Cadmium YP	22-30
M24308/24-264F	M2000/24-264F	High Density	62	Pin	N/A	Brass	Cadmium YP	22-30
M24308/24-265F	M2000/24-265F	High Density	78	Pin	N/A	Brass	Cadmium YP	22-30
M24308/24-267F	M2000/24-267F	High Density	15	Pin	N/A	Brass	Cadmium YP	22-30
M24308/24-268F	M2000/24-268F	High Density	26	Pin	N/A	Brass	Cadmium YP	22-30
M24308/24-269F	M2000/24-269F	High Density	44	Pin	N/A	Brass	Cadmium YP	22-30
M24308/24-270F	M2000/24-270F	High Density	62	Pin	N/A	Brass	Cadmium YP	22-30
M24308/24-271F	M2000/24-271F	High Density	78	Pin	N/A	Brass	Cadmium YP	22-30
M24308/24-1Z	M2000/24-1Z	Standard	9	Pin	N/A	Steel	Zinc YP	22-30
M24308/24-2Z	M2000/24-2Z	Standard	15	Pin	N/A	Steel	Zinc YP	22-30
M24308/24-3Z	M2000/24-3Z	Standard	25	Pin	N/A	Steel	Zinc YP	22-30
M24308/24-4Z	M2000/24-4Z	Standard	37	Pin	N/A	Steel	Zinc YP	22-30
M24308/24-5Z	M2000/24-5Z	Standard	50	Pin	N/A	Steel	Zinc YP	22-30
M24308/24-7Z	M2000/24-7Z	Standard	9	Pin	N/A	Steel	Zinc YP	22-30
M24308/24-8Z	M2000/24-8Z	Standard	15	Pin	N/A	Steel	Zinc YP	22-30
M24308/24-9Z	M2000/24-9Z	Standard	25	Pin	N/A	Steel	Zinc YP	22-30
M24308/24-10Z	M2000/24-10Z	Standard	37	Pin	N/A	Steel	Zinc YP	22-30
M24308/24-11Z	M2000/24-11Z	Standard	50	Pin	N/A	Steel	Zinc YP	22-30
M24308/24-13Z	M2000/24-13Z	Standard	9	Pin	N/A	Steel	Zinc YP	22-30
M24308/24-14Z	M2000/24-14Z	Standard	15	Pin	N/A	Steel	Zinc YP	22-30
M24308/24-15Z	M2000/24-15Z	Standard	25	Pin	N/A	Steel	Zinc YP	22-30
M24308/24-16Z	M2000/24-16Z	Standard	37	Pin	N/A	Steel	Zinc YP	22-30
M24308/24-17Z	M2000/24-17Z	Standard	50	Pin	N/A	Steel	Zinc YP	22-30
M24308/24-19Z	M2000/24-19Z	Standard	9	Pin	N/A	Steel	Zinc YP	22-30
M24308/24-20Z	M2000/24-20Z	Standard	15	Pin	N/A	Steel	Zinc YP	22-30
M24308/24-21Z	M2000/24-21Z	Standard	25	Pin	N/A	Steel	Zinc YP	22-30
M24308/24-22Z	M2000/24-22Z	Standard	37	Pin	N/A	Steel	Zinc YP	22-30
M24308/24-23Z	M2000/24-23Z	Standard	50	Pin	N/A	Steel	Zinc YP	22-30

* Y- Supplied w/ Connector, N: not supplied w/ Connector, N/A: Not Applicable
Finish: YP- Yellow Passivation

Military	Manufacturers Designation	Type	No. Of Pins	*Contact	*IR	Shell Material	Finish	Pg.
M24308/24-61Z	M2000/24-61Z	High Density	15	Pin	N/A	Steel	Zinc YP	22-30
M24308/24-62Z	M2000/24-62Z	High Density	26	Pin	N/A	Steel	Zinc YP	22-30
M24308/24-63Z	M2000/24-63Z	High Density	44	Pin	N/A	Steel	Zinc YP	22-30
M24308/24-64Z	M2000/24-64Z	High Density	62	Pin	N/A	Steel	Zinc YP	22-30
M24308/24-65Z	M2000/24-65Z	High Density	78	Pin	N/A	Steel	Zinc YP	22-30
M24308/24-66Z	M2000/24-66Z	High Density	104	Pin	N/A	Steel	Zinc YP	22-30
M24308/24-67Z	M2000/24-67Z	High Density	15	Pin	N/A	Steel	Zinc YP	22-30
M24308/24-68Z	M2000/24-68Z	High Density	26	Pin	N/A	Steel	Zinc YP	22-30
M24308/24-69Z	M2000/24-69Z	High Density	44	Pin	N/A	Steel	Zinc YP	22-30
M24308/24-70Z	M2000/24-70Z	High Density	62	Pin	N/A	Steel	Zinc YP	22-30
M24308/24-71Z	M2000/24-71Z	High Density	78	Pin	N/A	Steel	Zinc YP	22-30
M24308/24-72Z	M2000/24-72Z	High Density	104	Pin	N/A	Steel	Zinc YP	22-30
M24308/24-201Z	M2000/24-201Z	Standard	9	Pin	N/A	Brass	Zinc YP	22-30
M24308/24-202Z	M2000/24-202Z	Standard	15	Pin	N/A	Brass	Zinc YP	22-30
M24308/24-203Z	M2000/24-203Z	Standard	25	Pin	N/A	Brass	Zinc YP	22-30
M24308/24-204Z	M2000/24-204Z	Standard	37	Pin	N/A	Brass	Zinc YP	22-30
M24308/24-205Z	M2000/24-205Z	Standard	50	Pin	N/A	Brass	Zinc YP	22-30
M24308/24-207Z	M2000/24-207Z	Standard	9	Pin	N/A	Brass	Zinc YP	22-30
M24308/24-208Z	M2000/24-208Z	Standard	15	Pin	N/A	Brass	Zinc YP	22-30
M24308/24-209Z	M2000/24-209Z	Standard	25	Pin	N/A	Brass	Zinc YP	22-30
M24308/24-210Z	M2000/24-210Z	Standard	37	Pin	N/A	Brass	Zinc YP	22-30
M24308/24-211Z	M2000/24-211Z	Standard	50	Pin	N/A	Brass	Zinc YP	22-30
M24308/24-213Z	M2000/24-213Z	Standard	9	Pin	N/A	Brass	Zinc YP	22-30
M24308/24-214Z	M2000/24-214Z	Standard	15	Pin	N/A	Brass	Zinc YP	22-30
M24308/24-215Z	M2000/24-215Z	Standard	25	Pin	N/A	Brass	Zinc YP	22-30
M24308/24-216Z	M2000/24-216Z	Standard	37	Pin	N/A	Brass	Zinc YP	22-30
M24308/24-217Z	M2000/24-217Z	Standard	50	Pin	N/A	Brass	Zinc YP	22-30
M24308/24-219Z	M2000/24-219Z	Standard	9	Pin	N/A	Brass	Zinc YP	22-30
M24308/24-220Z	M2000/24-220Z	Standard	15	Pin	N/A	Brass	Zinc YP	22-30
M24308/24-221Z	M2000/24-221Z	Standard	25	Pin	N/A	Brass	Zinc YP	22-30
M24308/24-222Z	M2000/24-222Z	Standard	37	Pin	N/A	Brass	Zinc YP	22-30
M24308/24-223Z	M2000/24-223Z	Standard	50	Pin	N/A	Brass	Zinc YP	22-30
M24308/24-261Z	M2000/24-261Z	High Density	15	Pin	N/A	Brass	Zinc YP	22-30
M24308/24-262Z	M2000/24-262Z	High Density	26	Pin	N/A	Brass	Zinc YP	22-30
M24308/24-263Z	M2000/24-263Z	High Density	44	Pin	N/A	Brass	Zinc YP	22-30
M24308/24-264Z	M2000/24-264Z	High Density	62	Pin	N/A	Brass	Zinc YP	22-30
M24308/24-265Z	M2000/24-265Z	High Density	78	Pin	N/A	Brass	Zinc YP	22-30
M24308/24-266Z	M2000/24-266Z	High Density	104	Pin	N/A	Brass	Zinc YP	22-30
M24308/24-267Z	M2000/24-267Z	High Density	15	Pin	N/A	Brass	Zinc YP	22-30
M24308/24-268Z	M2000/24-268Z	High Density	26	Pin	N/A	Brass	Zinc YP	22-30
M24308/24-269Z	M2000/24-269Z	High Density	44	Pin	N/A	Brass	Zinc YP	22-30
M24308/24-270Z	M2000/24-270Z	High Density	62	Pin	N/A	Brass	Zinc YP	22-30
M24308/24-271Z	M2000/24-271Z	High Density	78	Pin	N/A	Brass	Zinc YP	22-30
M24308/24-272Z	M2000/24-272Z	High Density	104	Pin	N/A	Brass	Zinc YP	22-30
M24308/24-1K	M2000/24-1K	Standard	9	Pin	N/A	Steel	Zinc Nickel Black	22-30
M24308/24-2K	M2000/24-2K	Standard	15	Pin	N/A	Steel	Zinc Nickel Black	22-30

* Y- Supplied w/ Connector, N: not supplied w/ Connector, N/A: Not Applicable
Finish: YP- Yellow Passivation

Military	Manufacturers Designation	Type	No. Of Pins	*Contact	*IR	Shell Material	Finish	Pg.
M24308/24-3K	M2000/24-3K	Standard	25	Pin	N/A	Steel	Zinc Nickel Black	22-30
M24308/24-4K	M2000/24-4K	Standard	37	Pin	N/A	Steel	Zinc Nickel Black	22-30
M24308/24-5K	M2000/24-5K	Standard	50	Pin	N/A	Steel	Zinc Nickel Black	22-30
M24308/24-7K	M2000/24-7K	Standard	9	Pin	N/A	Steel	Zinc Nickel Black	22-30
M24308/24-8K	M2000/24-8K	Standard	15	Pin	N/A	Steel	Zinc Nickel Black	22-30
M24308/24-9K	M2000/24-9K	Standard	25	Pin	N/A	Steel	Zinc Nickel Black	22-30
M24308/24-10K	M2000/24-10K	Standard	37	Pin	N/A	Steel	Zinc Nickel Black	22-30
M24308/24-11K	M2000/24-11K	Standard	50	Pin	N/A	Steel	Zinc Nickel Black	22-30
M24308/24-13K	M2000/24-13K	Standard	9	Pin	N/A	Steel	Zinc Nickel Black	22-30
M24308/24-14K	M2000/24-14K	Standard	15	Pin	N/A	Steel	Zinc Nickel Black	22-30
M24308/24-15K	M2000/24-15K	Standard	25	Pin	N/A	Steel	Zinc Nickel Black	22-30
M24308/24-16K	M2000/24-16K	Standard	37	Pin	N/A	Steel	Zinc Nickel Black	22-30
M24308/24-17K	M2000/24-17K	Standard	50	Pin	N/A	Steel	Zinc Nickel Black	22-30
M24308/24-19K	M2000/24-19K	Standard	9	Pin	N/A	Steel	Zinc Nickel Black	22-30
M24308/24-20K	M2000/24-20K	Standard	15	Pin	N/A	Steel	Zinc Nickel Black	22-30
M24308/24-21K	M2000/24-21K	Standard	25	Pin	N/A	Steel	Zinc Nickel Black	22-30
M24308/24-22K	M2000/24-22K	Standard	37	Pin	N/A	Steel	Zinc Nickel Black	22-30
M24308/24-23K	M2000/24-23K	Standard	50	Pin	N/A	Steel	Zinc Nickel Black	22-30
M24308/24-61K	M2000/24-61K	High Density	15	Pin	N/A	Steel	Zinc Nickel Black	22-30
M24308/24-62K	M2000/24-62K	High Density	26	Pin	N/A	Steel	Zinc Nickel Black	22-30
M24308/24-63K	M2000/24-63K	High Density	44	Pin	N/A	Steel	Zinc Nickel Black	22-30
M24308/24-64K	M2000/24-64K	High Density	62	Pin	N/A	Steel	Zinc Nickel Black	22-30
M24308/24-65K	M2000/24-65K	High Density	78	Pin	N/A	Steel	Zinc Nickel Black	22-30
M24308/24-67K	M2000/24-67K	High Density	15	Pin	N/A	Steel	Zinc Nickel Black	22-30
M24308/24-68K	M2000/24-68K	High Density	26	Pin	N/A	Steel	Zinc Nickel Black	22-30
M24308/24-69K	M2000/24-69K	High Density	44	Pin	N/A	Steel	Zinc Nickel Black	22-30
M24308/24-70K	M2000/24-70K	High Density	62	Pin	N/A	Steel	Zinc Nickel Black	22-30
M24308/24-71K	M2000/24-71K	High Density	78	Pin	N/A	Steel	Zinc Nickel Black	22-30
M24308/24-301	M2000/24-301	Standard	9	Pin	N/A	Steel	Nickel Plating	22-30
M24308/24-302	M2000/24-302	Standard	15	Pin	N/A	Steel	Nickel Plating	22-30
M24308/24-303	M2000/24-303	Standard	25	Pin	N/A	Steel	Nickel Plating	22-30
M24308/24-304	M2000/24-304	Standard	37	Pin	N/A	Steel	Nickel Plating	22-30
M24308/24-305	M2000/24-305	Standard	50	Pin	N/A	Steel	Nickel Plating	22-30
M24308/24-307	M2000/24-307	Standard	9	Pin	N/A	Steel	Nickel Plating	22-30
M24308/24-308	M2000/24-308	Standard	15	Pin	N/A	Steel	Nickel Plating	22-30
M24308/24-309	M2000/24-309	Standard	25	Pin	N/A	Steel	Nickel Plating	22-30
M24308/24-310	M2000/24-310	Standard	37	Pin	N/A	Steel	Nickel Plating	22-30
M24308/24-311	M2000/24-311	Standard	50	Pin	N/A	Steel	Nickel Plating	22-30
M24308/24-313	M2000/24-313	Standard	9	Pin	N/A	Steel	Nickel Plating	22-30
M24308/24-314	M2000/24-314	Standard	15	Pin	N/A	Steel	Nickel Plating	22-30
M24308/24-315	M2000/24-315	Standard	25	Pin	N/A	Steel	Nickel Plating	22-30
M24308/24-316	M2000/24-316	Standard	37	Pin	N/A	Steel	Nickel Plating	22-30
M24308/24-317	M2000/24-317	Standard	50	Pin	N/A	Steel	Nickel Plating	22-30
M24308/24-319	M2000/24-319	Standard	9	Pin	N/A	Steel	Nickel Plating	22-30
M24308/24-320	M2000/24-320	Standard	15	Pin	N/A	Steel	Nickel Plating	22-30
M24308/24-321	M2000/24-321	Standard	25	Pin	N/A	Steel	Nickel Plating	22-30

* Y- Supplied w/ Connector, N: not supplied w/ Connector, N/A: Not Applicable
Finish: YP- Yellow Passivation

Military	Manufacturers Designation	Type	No. Of Pins	*Contact	*IR	Shell Material	Finish	Pg.
M24308/24-322	M2000/24-322	Standard	37	Pin	N/A	Steel	Nickel Plating	22-30
M24308/24-323	M2000/24-323	Standard	50	Pin	N/A	Steel	Nickel Plating	22-30
M24308/24-361	M2000/24-361	High Density	15	Pin	N/A	Steel	Nickel Plating	22-30
M24308/24-362	M2000/24-362	High Density	26	Pin	N/A	Steel	Nickel Plating	22-30
M24308/24-363	M2000/24-363	High Density	44	Pin	N/A	Steel	Nickel Plating	22-30
M24308/24-364	M2000/24-364	High Density	62	Pin	N/A	Steel	Nickel Plating	22-30
M24308/24-365	M2000/24-365	High Density	78	Pin	N/A	Steel	Nickel Plating	22-30
M24308/24-367	M2000/24-367	High Density	15	Pin	N/A	Steel	Nickel Plating	22-30
M24308/24-368	M2000/24-368	High Density	26	Pin	N/A	Steel	Nickel Plating	22-30
M24308/24-369	M2000/24-369	High Density	44	Pin	N/A	Steel	Nickel Plating	22-30
M24308/24-370	M2000/24-370	High Density	62	Pin	N/A	Steel	Nickel Plating	22-30
M24308/24-371	M2000/24-371	High Density	78	Pin	N/A	Steel	Nickel Plating	22-30
M24308/24-101	M2000/24-101	Standard	9	Pin	N/A	Brass	Gold Plating	22-30
M24308/24-102	M2000/24-102	Standard	15	Pin	N/A	Brass	Gold Plating	22-30
M24308/24-103	M2000/24-103	Standard	25	Pin	N/A	Brass	Gold Plating	22-30
M24308/24-104	M2000/24-104	Standard	37	Pin	N/A	Brass	Gold Plating	22-30
M24308/24-105	M2000/24-105	Standard	50	Pin	N/A	Brass	Gold Plating	22-30
M24308/24-107	M2000/24-107	Standard	9	Pin	N/A	Brass	Gold Plating	22-30
M24308/24-108	M2000/24-108	Standard	15	Pin	N/A	Brass	Gold Plating	22-30
M24308/24-109	M2000/24-109	Standard	25	Pin	N/A	Brass	Gold Plating	22-30
M24308/24-110	M2000/24-110	Standard	37	Pin	N/A	Brass	Gold Plating	22-30
M24308/24-111	M2000/24-111	Standard	50	Pin	N/A	Brass	Gold Plating	22-30
M24308/24-113	M2000/24-113	Standard	9	Pin	N/A	Brass	Gold Plating	22-30
M24308/24-114	M2000/24-114	Standard	15	Pin	N/A	Brass	Gold Plating	22-30
M24308/24-115	M2000/24-115	Standard	25	Pin	N/A	Brass	Gold Plating	22-30
M24308/24-116	M2000/24-116	Standard	37	Pin	N/A	Brass	Gold Plating	22-30
M24308/24-117	M2000/24-117	Standard	50	Pin	N/A	Brass	Gold Plating	22-30
M24308/24-119	M2000/24-119	Standard	9	Pin	N/A	Brass	Gold Plating	22-30
M24308/24-120	M2000/24-120	Standard	15	Pin	N/A	Brass	Gold Plating	22-30
M24308/24-121	M2000/24-121	Standard	25	Pin	N/A	Brass	Gold Plating	22-30
M24308/24-122	M2000/24-122	Standard	37	Pin	N/A	Brass	Gold Plating	22-30
M24308/24-123	M2000/24-123	Standard	50	Pin	N/A	Brass	Gold Plating	22-30
M24308/24-161	M2000/24-161	High Density	15	Pin	N/A	Brass	Gold Plating	22-30
M24308/24-162	M2000/24-162	High Density	26	Pin	N/A	Brass	Gold Plating	22-30
M24308/24-163	M2000/24-163	High Density	44	Pin	N/A	Brass	Gold Plating	22-30
M24308/24-164	M2000/24-164	High Density	62	Pin	N/A	Brass	Gold Plating	22-30
M24308/24-165	M2000/24-165	High Density	78	Pin	N/A	Brass	Gold Plating	22-30
M24308/24-166	M2000/24-166	High Density	104	Pin	N/A	Brass	Gold Plating	22-30
M24308/24-167	M2000/24-167	High Density	15	Pin	N/A	Brass	Gold Plating	22-30
M24308/24-168	M2000/24-168	High Density	26	Pin	N/A	Brass	Gold Plating	22-30
M24308/24-169	M2000/24-169	High Density	44	Pin	N/A	Brass	Gold Plating	22-30
M24308/24-170	M2000/24-170	High Density	62	Pin	N/A	Brass	Gold Plating	22-30
M24308/24-171	M2000/24-171	High Density	78	Pin	N/A	Brass	Gold Plating	22-30
M24308/24-172	M2000/24-172	High Density	104	Pin	N/A	Brass	Gold Platin	22-30

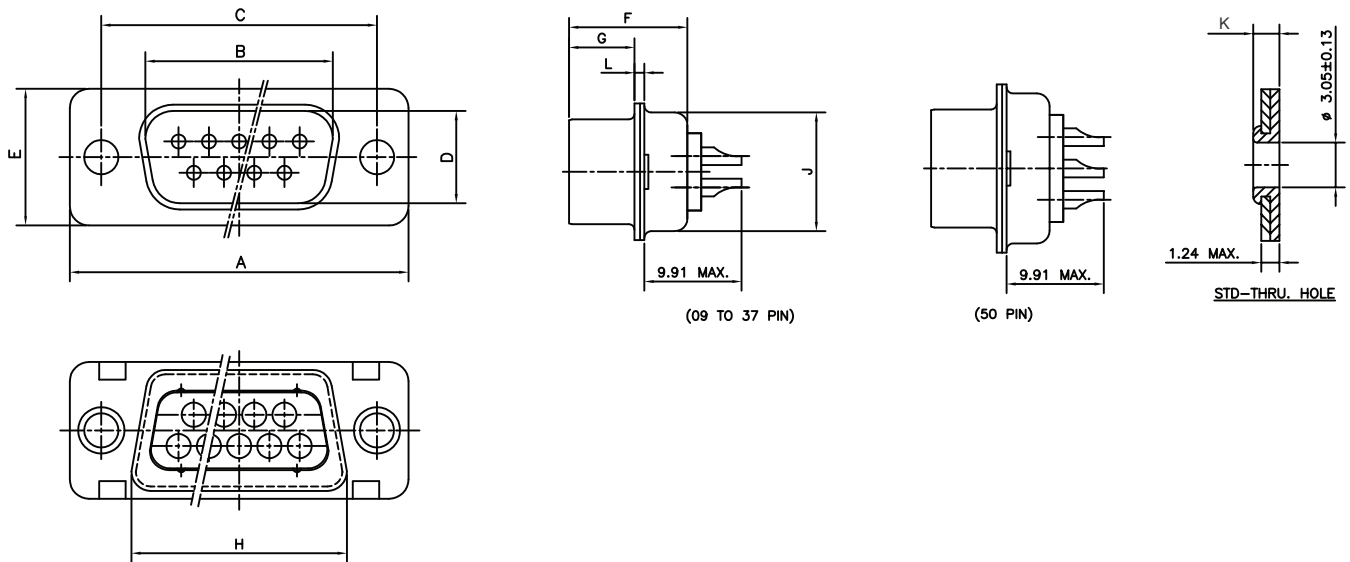
* Y- Supplied w/ Connector, N: not supplied w/ Connector, N/A: Not Applicable
Finish: YP- Yellow Passivation

SPECIAL PRODUCTS

STANDARD DENSITY SOLDER-NON ENVIRONMENTAL

M2000/	3	1	F	L
Series	Connector Type	Dash Number	Finish	Special Option
	3: Plug with Solder Contact (Fixed Contacts)	1 2 3 4 5	F - Cadmium Yellow Passivation Z - Zinc Plated N - Nickel Plated TI - Tin Plated K - Zinc Nickel	L - Launch vehicle application Omit- Standard version

Plug w/ Solder Contact



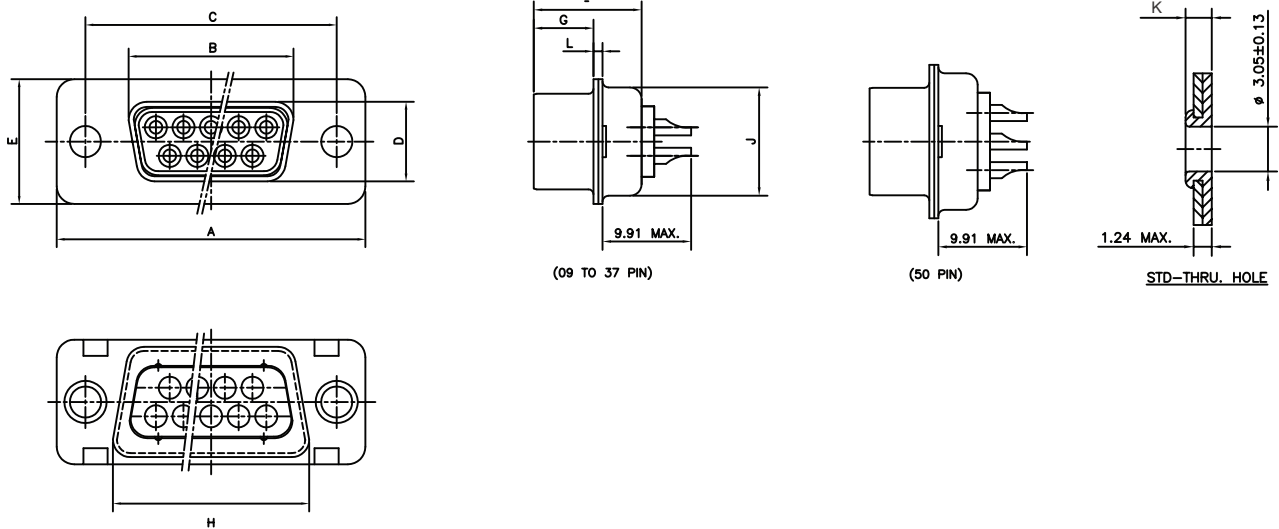
Dimensions (mm)												
Part Number (Dash Number)	Standard Density Contacts	A	B	C	D	E	F	G	H	J	K	L
M2000/3-1	09	30.43 31.19	16.79 17.04	24.87 25.12	8.23 8.48	12.17 12.93	10.46 10.97	5.82 6.05	19.02 19.53	10.46 10.97	0.89 1.52	0.51 1.02
M2000/3-2	15	38.76 39.52	25.12 25.37	33.20 33.45					27.25 27.76			
M2000/3-3	25	52.65 53.42	38.84 39.09	46.91 47.17			41.02 41.53		1.27 1.78		0.74 1.25	
M2000/3-4	37	68.94 69.70	55.30 55.55	63.37 63.63			57.45 57.96					
M2000/3-5	50	66.55 67.31	52.68 52.93	60.99 61.24			11.07 11.33					14.99 15.75

* Dimensions A-L: Top # min., Bottom # max.

STANDARD DENSITY SOLDER-NON ENVIRONMENTAL

M2000/	1	1	F	L
	Connector Type	Dash Number	Finish	Special Option
Series	1: Receptacle with Solder Contact (Fixed Contacts)	1 2 3 4 5	F- Cadmium Yellow Passivation Z - Zinc Plated N - Nickel Plated TI - Tin Plated K- Zinc Nickel	L- Launch vehicle application Omit- Standard version

Receptacle w/ Solder Contact



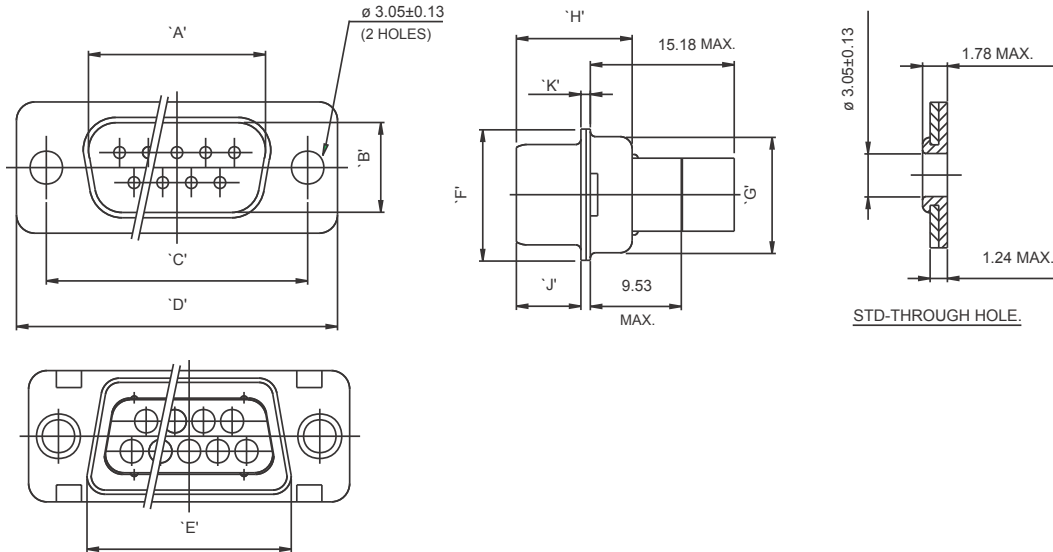
Dimensions (mm)												
Part Number (Dash Number)	Standard Density Contacts	A	B	C	D	E	F	G	H	J	K	L
M2000/1-1	09	30.43 31.19	16.21 16.46	24.87 25.12	7.77 8.03	12.17 12.93	10.46 11.15	6.05 6.30	19.02 19.53	10.46 10.97	0.89 1.52	0.51 1.02
M2000/1-2	15	38.76 39.52	24.54 24.79	33.20 33.45					27.25 27.76			
M2000/1-3	25	52.65 53.42	38.25 38.51	46.91 47.17					41.02 41.53			
M2000/1-4	37	68.94 69.70	54.71 54.97	63.37 63.63					57.45 57.96			
M2000/1-5	50	66.55 67.31	52.30 52.55	60.99 61.24	10.62 10.87	14.99 15.75			55.07 55.58	13.31 13.82		

* Dimensions A-L: Top # min., Bottom # max.

STANDARD DENSITY GROMMET-CRIMP

M2000/	4	1	G	F	L
	Connector Type	Dash Number	Grommet Type	Finish	Special Option
Series	4: Plug Connector with Pin Contact Crimp Type, Rear Release, Rear Removable	1 2 3 4 5	G- Silicone Elastomer Grommet	F- Cadmium Yellow Passivation Z - Zinc Plated N - Nickel Plated TI - Tin Plated	L- Launch vehicle application Omit- Standard version

Plug w/ Pin Contact & Grommet-Rear Removable

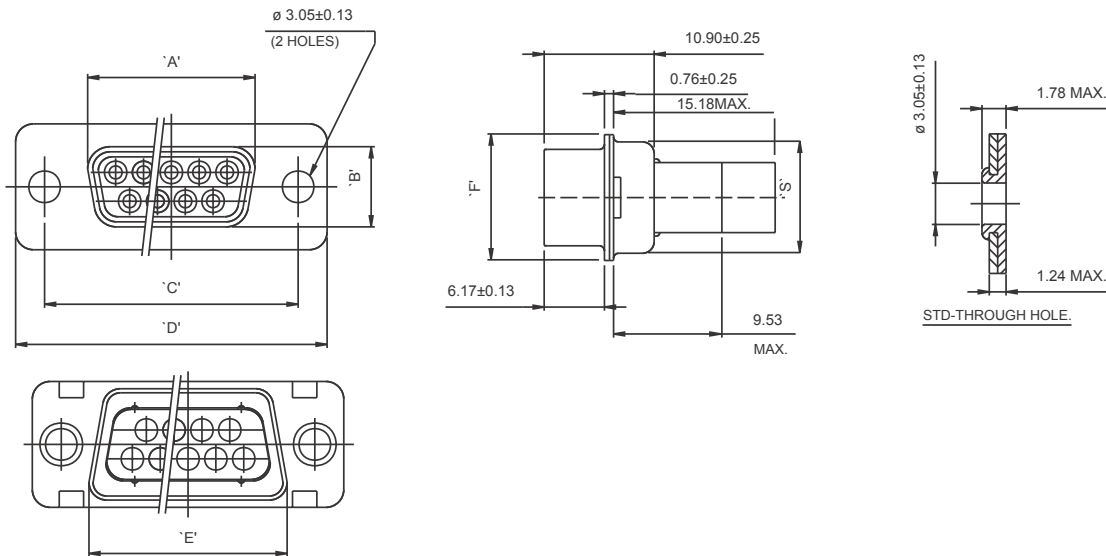


Dimensions (mm)											
Part Number (Dash Number)	Standard Density Contacts	A	B	C	D	E	F	G	H	J	K
		± 0.13	± 0.13	± 0.13	± 0.38	± 0.25	± 0.38	± 0.25	± 0.25	± 0.15	± 0.25
M2000/4-1	09	16.92	8.36	24.99	30.81	19.28	12.55	10.72	10.72	5.97	0.76
M2000/4-2	15	25.25	8.36	33.32	39.14	27.51	12.55	10.72	10.72	5.97	0.76
M2000/4-3	25	38.96	8.36	47.04	53.04	41.30	12.55	10.72	10.72	5.97	0.76
M2000/4-4	37	55.42	8.36	63.50	69.32	57.71	12.55	10.72	10.82	5.84	0.99
M2000/4-5	50	52.81	11.20	61.11	66.93	55.32	15.37	13.56	10.82	5.84	0.99

STANDARD DENSITY GROMMET-CRIMP

M2000/	2	1	G	F	L
	Connector Type	Dash Number	Grommet Type	Finish	Special Option
Series	2: Receptacle Connector with Receptacle Contact Crimp Type, Rear Release, Rear Removable	1 2 3 4 5	G- Silicone Elastomer Grommet	F- Cadmium Yellow Passivation Z - Zinc Plated N - Nickel Plated TI - Tin Plated	L- Launch vehicle application Omit- Standard version

Receptacle w/ Pin Contact & Grommet-Rear Removable

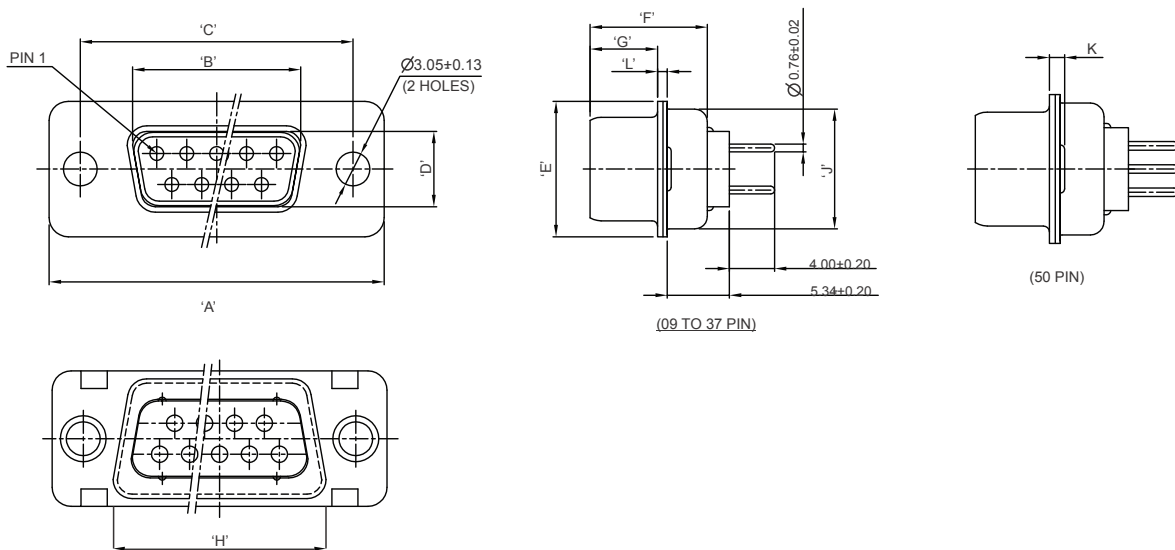


		Dimensions (mm)						
Part Number (Dash Number)	Standard Density Contacts	A	B	C	D	E	F	G
		± 0.13	± 0.13	± 0.13	± 0.38	± 0.25	± 0.38	± 0.25
M2000/2-1	09	16.33	7.90	24.99	30.81	19.28	12.55	10.72
M2000/2-2	15	24.66	7.90	33.32	39.14	27.51	12.55	10.72
M2000/2-3	25	38.38	7.90	47.04	53.04	41.30	12.55	10.72
M2000/2-4	37	54.84	7.90	63.50	69.32	57.71	12.55	10.72
M2000/2-5	50	52.43	10.74	61.1	66.93	55.32	15.37	13.56

STANDARD DENSITY STRAIGHT PC TAIL

M2000/	24	1	F	CN
	Connector Type	Dash Number	Finish	Special Option
Series	24 - Plug Connector (PC Tail Type)	1 2 3 4	F - Cadmium Yellow Passivated Z - Zinc Yellow Passivated K - Zinc Nickel Finish T - Nickel Ptfе Finish TI - Tin Plated N - Nickel Plated	CN - With Clinch Nut (4-40Unc) IF - With Interfacial Seal IFCN - With Interfacial Seal & Clinch Nut FS - Female Screw-lock (Jackpost) MS - Male Screw-lock L - Launch Vehicle Option Omit- Standard version

Plug-Straight PC Tail



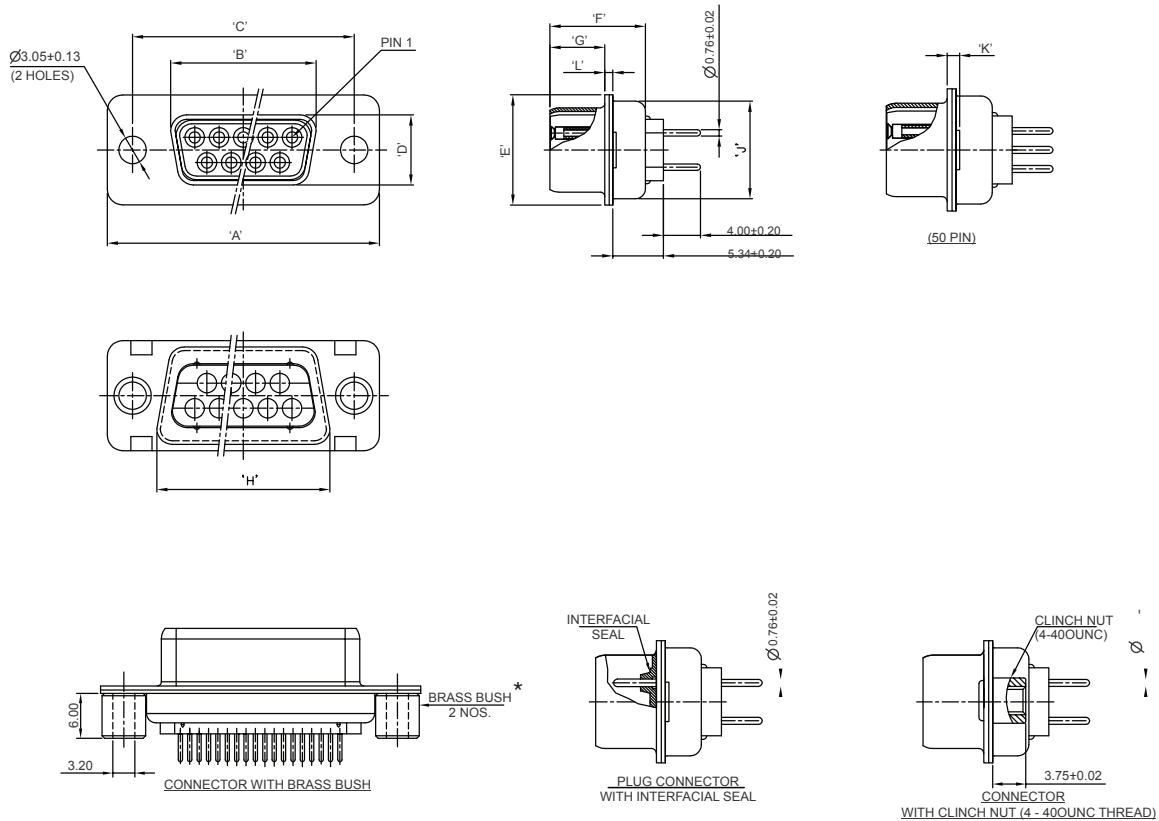
Dimensions (mm)												
Part Number (Dash Number)	Standard Density Contacts	A	B	C	D	E	F	G	H	J	K	L
M2000/24-1	09	30.43 31.19	16.79 17.04	24.87 25.12	8.48 8.23	12.17 12.93	10.46 10.97	5.82 6.05	19.02 19.53	10.46 10.97	0.89 1.52	0.51 1.02
M2000/24-2	15	38.76 39.52	25.12 25.37	33.20 33.45					27.25 27.76			
M2000/24-3	25	52.65 53.42	38.84 39.09	46.91 47.17			41.02 41.53					
M2000/24-4	37	68.94 69.70	55.30 55.55	63.37 63.63			57.45 57.96		1.27 1.78		0.74 1.25	
M2000/24-5	50	66.55 67.31	52.65 52.93	60.99 61.24			11.07 11.33		14.99 15.75			55.07 55.58

* Dimensions A-L: Top # min., Bottom # max.

STANDARD DENSITY STRAIGHT PC TAIL

M2000/	23	1	F	CN
	Connector Type	Dash Number	Finish	Special Option
Series	23 - Receptacle Connector (PC Tail Type)	1 2 3 4	F - Cadmium Yellow Passivated Z - Zinc Yellow Passivated K - Zinc Nickel Finish T - Nickel Ptfе Finish TI - Tin Plated N - Nickel Plated	CN - With Clinch Nut (4-40Unc) IF - With Interfacial Seal IFCN - With Interfacial Seal & Clinch Nut FS - Female Screw-lock (Jackpost) MS - Male Screw-lock L - Launch Vehicle Option Omit- Standard version

Receptacle-Straight PC Tail



*Brass bush (spacer) will be supplied loose with this connector
(Not applicable for connector with clinch nut)

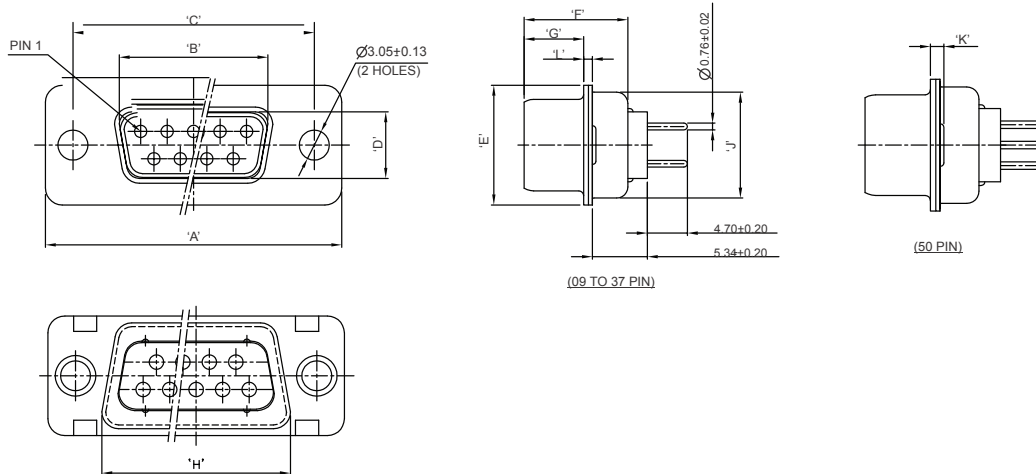
Dimensions (mm)												
Part Number (Dash Number)	Standard Density Contacts	A	B	C	D	E	F	G	H	J	K	L
M2000/23-1	09	30.43 31.19	16.21 16.46	24.87 25.12	7.77 8.03	12.17 12.93	10.64 11.15	6.05 6.30	19.02 19.53	10.46 10.97	0.89 1.52	0.51 1.02
M2000/23-2	15	38.76 39.52	24.54 24.79	33.20 33.45					27.25 27.76			
M2000/23-3	25	52.65 53.42	38.25 38.51	46.91 47.17					41.02 41.53			
M2000/23-4	37	68.94 69.70	34.71 34.97	63.37 63.63					57.45 57.96			
M2000/23-5	50	66.55 67.31	52.30 52.55	60.99 61.24					55.07 55.58			

* Dimensions A-L: Top # min., Bottom # max.

STANDARD DENSITY STRAIGHT PC TAIL

M2000/	24	7	F	CN
Series	Connector Type	Dash Number	Finish	Special Option
	24 - Plug Connector (PC Tail Type)	7 8 9 10 11	F - Cadmium Yellow Passivated Z - Zinc Yellow Passivated K - Zinc Nickel Finish T - Nickel Ptfе Finish TI - Tin Plated N - Nickel Plated	CN - With Clinch Nut (4-40Unc) IF - With Interfacial Seal IFCN - With Interfacial Seal & Clinch Nut FS - Female Screw-lock (Jackpost) MS - Male Screw-lock L - Launch Vehicle Option Omit - Standard version

Plug-Straight PC Tail



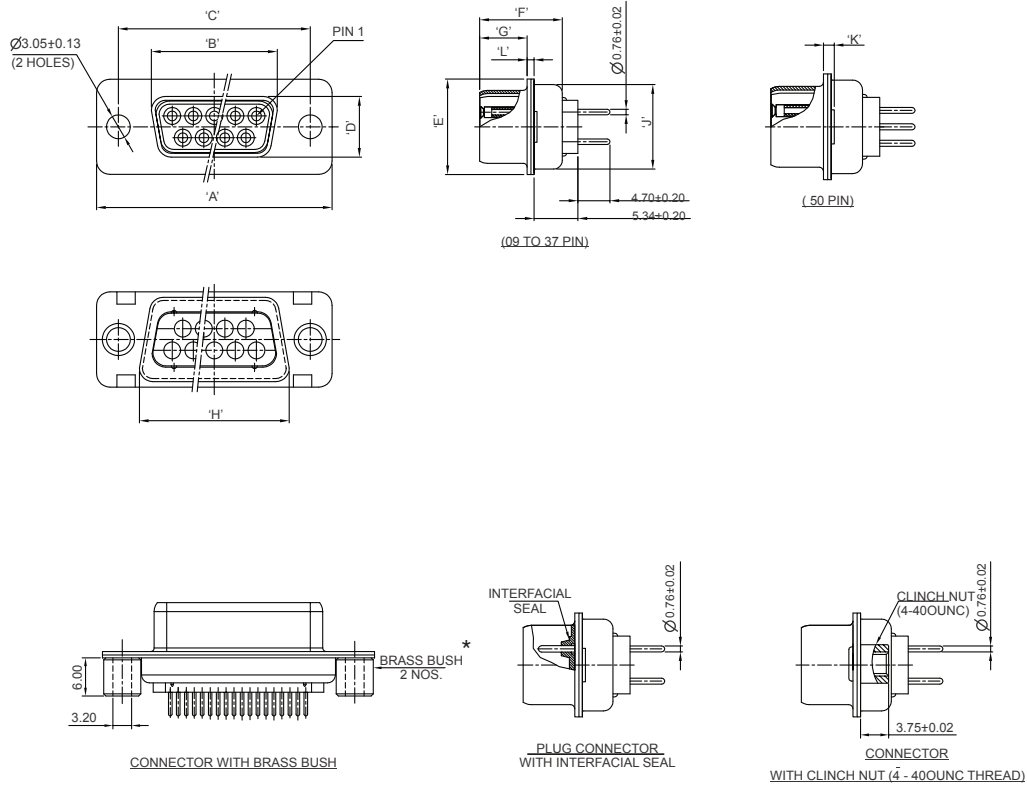
Dimensions (mm)												
Part Number (Dash Number)	Standard Density Contacts	A	B	C	D	E	F	G	H	J	K	L
M2000/24-7	09	30.43 31.19	16.79 17.04	24.87 25.12	8.23 8.48	12.17 12.93	10.46 10.97	5.82 6.05	19.02 19.53	10.46 10.97	0.89 1.52	0.51 1.02
M2000/24-8	15	38.76 39.52	25.12 25.37	33.20 33.45					27.25 27.76			
M2000/24-9	25	52.65 53.42	38.84 39.09	46.91 47.17			10.57 11.07		41.02 41.53			
M2000/24-10	37	68.94 69.70	55.30 55.55	63.37 63.63					57.45 57.96		1.27 1.78	0.74 1.25
M2000/24-11	50	66.55 67.31	52.65 52.93	60.99 61.24			11.07 11.33		14.99 15.75		55.07 55.58	13.31 13.82

* Dimensions A-L: Top # min., Bottom # max.

STANDARD DENSITY STRAIGHT PC TAIL

M2000/	23	7	F	CN
	Connector Type	Dash Number	Finish	Special Option
Series	23 - Receptacle Connector (PC Tail Type)	7	F - Cadmium Yellow Passivated	CN - With Clinch Nut (4-40Unc)
		8	Z - Zinc Yellow Passivated	IF - With Interfacial Seal
		9	K - Zinc Nickel Finish	IFCN - With Interfacial Seal & Clinch Nut
		10	T - Nickel Ptfе Finish	FS - Female Screw-lock (Jackpost)
		11	TI - Tin Plated	MS - Male Screw-lock
			N - Nickel Plated	L - Launch Vehicle Option
				Omit- Standard version

Receptacle-Straight PC Tail



*Brass bush (spacer) will be supplied loose with this connector
(Not applicable for connector with clinch nut)

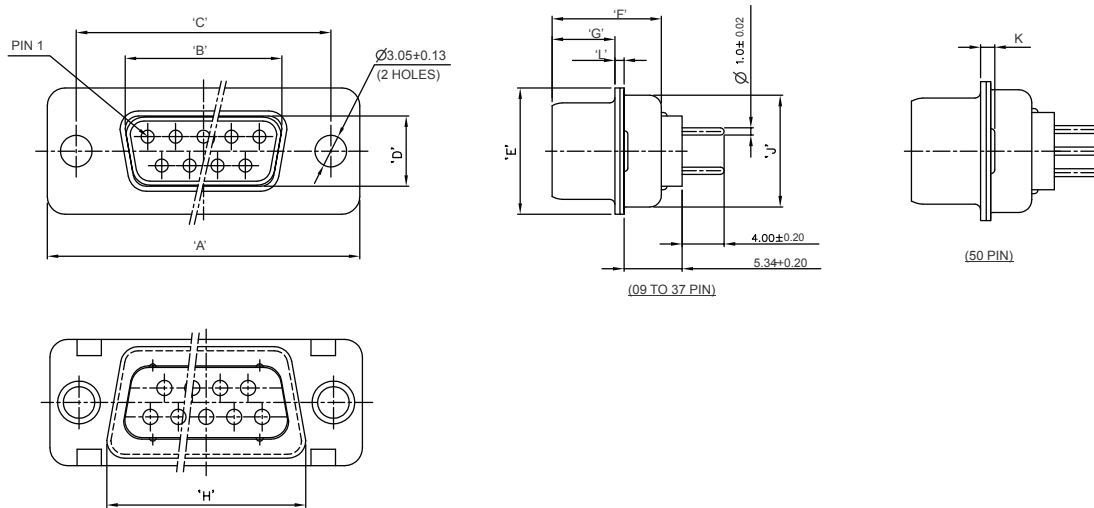
Dimensions (mm)												
Part Number (Dash Number)	Standard Density Contacts	A	B	C	D	E	F	G	H	J	K	L
M2000/23-7	09	30.43 31.19	16.21 16.46	24.87 25.12	7.77 8.03	12.17 12.93	10.64 11.15	6.05 6.30	19.02 19.53	10.46 10.97	0.89 1.52	0.51 1.02
M2000/23-8	15	38.76 39.52	24.54 24.79	33.20 33.45					27.25 27.76			
M2000/23-9	25	52.65 53.42	38.25 38.51	46.91 47.17					41.02 41.53			
M2000/23-10	37	68.94 69.70	34.71 34.97	63.37 63.63					57.45 57.96			
M2000/23-11	50	66.55 67.31	52.30 52.55	60.99 61.24					55.07 55.58			

* Dimensions A-L: Top # min., Bottom # max.

STANDARD DENSITY STRAIGHT PC TAIL

M2000/	24	13	F	CN
	Connector Type	Dash Number	Finish	Special Option
Series	24 - Plug Connector (PC Tail Type)	13	F - Cadmium Yellow Passivated	CN - With Clinch Nut (4-40Unc)
		14	Z - Zinc Yellow Passivated	IF - With Interfacial Seal
		15	K - Zinc Nickel Finish	IFCN - With Interfacial Seal & Clinch Nut
		16	T - Nickel Ptfе Finish	FS - Female Screw-lock (Jackpost)
		17	TI - Tin Plated	MS - Male Screw-lock
			N - Nickel Plated	L - Launch Vehicle Option
				Omit- Standard version

Plug-Straight PC Tail



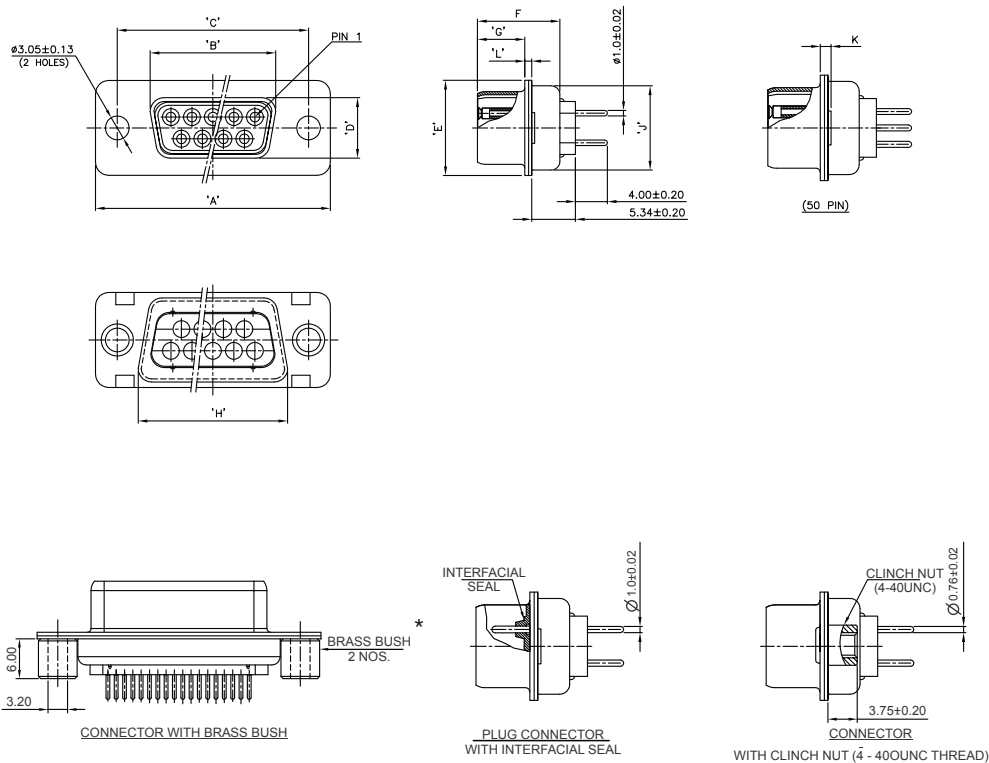
Dimensions (mm)												
Part Number (Dash Number)	Standard Density Contacts	A	B	C	D	E	F	G	H	J	K	L
M2000/24-13	09	30.43 31.19	16.79 17.04	24.87 25.12	8.23 8.48	12.17 12.93	10.46 10.97	5.82 6.05	19.02 19.53	10.46 10.97	0.89 1.52	0.51 1.02
M2000/24-14	15	38.76 39.52	25.12 25.37	33.20 33.45			27.25 27.76					
M2000/24-15	25	52.65 53.42	38.84 39.09	46.91 47.17			41.02 41.53					
M2000/24-16	37	68.94 69.70	55.30 55.55	63.37 63.63			57.45 57.96					
M2000/24-17	50	66.55 67.31	52.65 52.93	60.99 61.24			55.07 55.58		13.31 13.82			

* Dimensions A-L: Top # min., Bottom # max.

STANDARD DENSITY STRAIGHT PC TAIL

M2000/	23	13	F	CN
	Connector Type	Dash Number	Finish	Special Option
Series	23 - Receptacle Connector (PC Tail Type)	13 14 15 16 17	F - Cadmium Yellow Passivated Z - Zinc Yellow Passivated K - Zinc Nickel Finish T - Nickel Ptfе Finish TI - Tin Plated N - Nickel Plated	CN - With Clinch Nut (4-40Unc) IF - With Interfacial Seal IFCN - With Interfacial Seal & Clinch Nut FS - Female Screw-lock (Jackpost) MS - Male Screw-lock L - Launch Vehicle Option Omit - Standard version

Receptacle-Straight PC Tail



*Brass bush (spacer) will be supplied loose with this connector
(Not applicable for connector with clinch nut)

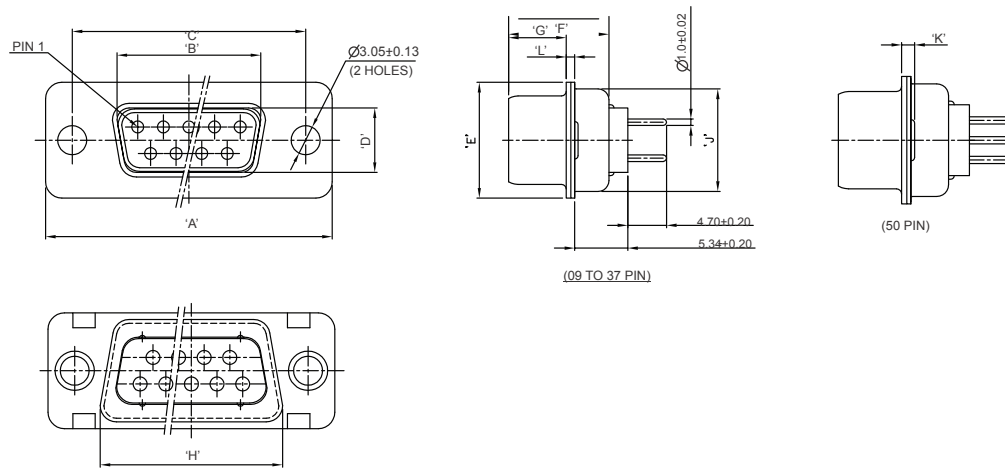
Dimensions (mm)												
Part Number (Dash Number)	Standard Density Contacts	A	B	C	D	E	F	G	H	J	K	L
M2000/23-13	09	30.43 31.19	16.21 16.46	24.87 25.12	7.77 8.03	12.17 12.93	10.64 11.15	6.05 6.30	19.02 19.53	10.46 10.97	0.89 1.52	0.51 1.02
M2000/23-14	15	38.76 39.52	24.54 24.79	33.20 33.45					27.25 27.76			
M2000/23-15	25	52.65 53.42	38.25 38.51	46.91 47.17					41.02 41.53			
M2000/23-16	37	68.94 69.70	34.71 54.97	63.37 63.63					57.45 57.96			
M2000/23-17	50	66.55 67.31	52.30 52.55	60.99 61.24					10.62 10.87			

* Dimensions A-L: Top # min., Bottom # max.

STANDARD DENSITY STRAIGHT PC TAIL

M2000/	24	19	F	CN
	Connector Type	Dash Number	Finish	Special Option
Series	24 - Plug Connector (PC Tail Type)	19 20 21 22 23	F - Cadmium Yellow Passivated Z - Zinc Yellow Passivated K - Zinc Nickel Finish T - Nickel Ptfе Finish TI - Tin Plated N - Nickel Plated	CN - With Clinch Nut (4-40Unc) IF - With Interfacial Seal IFCN - With Interfacial Seal & Clinch Nut FS - Female Screw-lock (Jackpost) MS - Male Screw-lock L - Launch Vehicle Option Omit- Standard version

Plug-Straight PC Tail



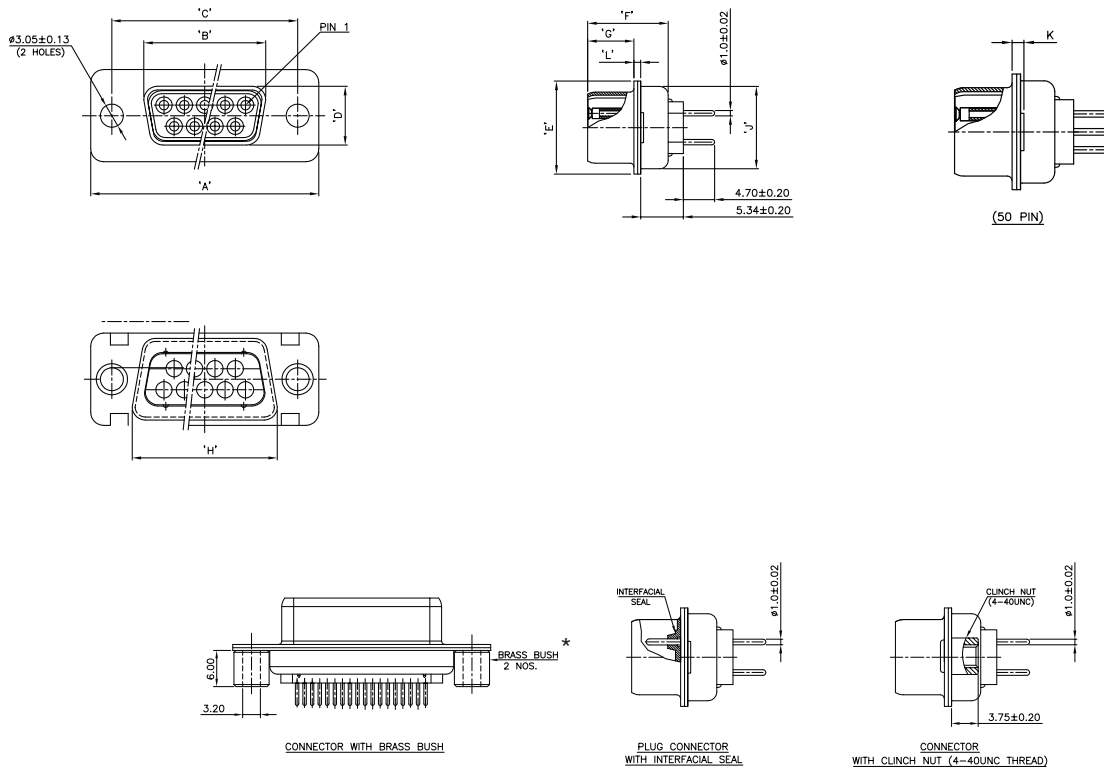
Dimensions (mm)												
Part Number (Dash Number)	Standard Density Contacts	A	B	C	D	E	F	G	H	J	K	L
M2000/24-19	09	30.43 31.19	16.79 17.04	24.87 25.12	8.23 8.48	12.17 12.93	10.46 10.97	5.82 6.05	19.02 19.53	10.46 10.97	0.89 1.52	0.51 1.02
M2000/24-20	15	38.76 39.52	25.12 25.37	33.20 33.45					27.25 27.76			
M2000/24-21	25	52.65 53.42	38.84 39.09	46.91 47.17			41.02 41.53					
M2000/24-22	37	68.94 69.70	55.30 55.55	63.37 63.63			57.45 57.96		1.27 1.78		0.74 1.25	
M2000/24-23	50	66.55 67.31	52.65 52.93	60.99 61.24			11.07 11.33		14.99 15.75		55.07 55.58	

* Dimensions A-L: Top # min., Bottom # max.

STANDARD DENSITY STRAIGHT PC TAIL

M2000/	23	19	F	CN
	Connector Type	Dash Number	Finish	Special Option
Series	23 - Receptacle Connector (PC Tail Type)	19 20 21 22 23	F - Cadmium Yellow Passivated Z - Zinc Yellow Passivated K - Zinc Nickel Finish T - Nickel Ptfе Finish TI - Tin Plated N - Nickel Plated	CN - With Clinch Nut (4-40Unc) IF - With Interfacial Seal IFCN - With Interfacial Seal & Clinch Nut FS - Female Screw-lock (Jackpost) MS - Male Screw-lock L - Launch Vehicle Option Omit - Standard version

Receptacle-Straight PC Tail



*Brass bush (spacer) will be supplied loose with this connector
(Not applicable for connector with clinch nut)

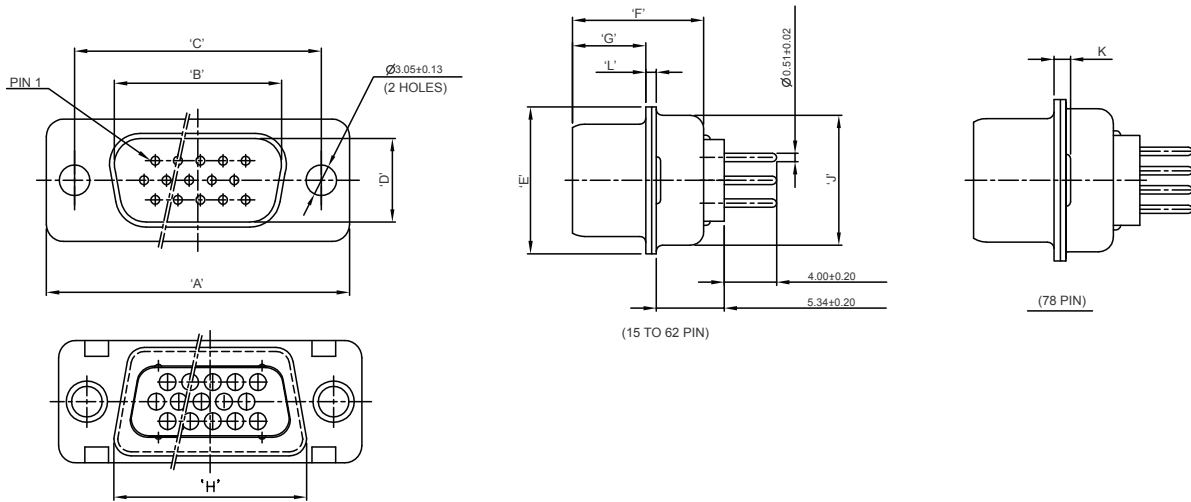
Dimensions (mm)												
Part Number (Dash Number)	Standard Density Contacts	A	B	C	D	E	F	G	H	J	K	L
M2000/23-19	09	30.43 31.19	16.21 16.46	24.87 25.12	7.77 8.03	12.17 12.93	10.64 11.15	6.05 6.30	19.02 19.53	10.46 10.97	0.89 1.52	0.51 1.02
M2000/23-20	15	38.76 39.52	24.54 24.79	33.20 33.45					27.25 27.76			
M2000/23-21	25	52.65 53.42	38.25 38.51	46.91 47.17					41.02 41.53			
M2000/23-22	37	68.94 69.70	34.71 34.97	63.37 63.63					57.45 57.96			
M2000/23-23	50	66.55 67.31	52.30 52.55	60.99 61.24					55.07 55.58			

* Dimensions A-L: Top # min., Bottom # max.

HIGH DENSITY STRAIGHT PC TAIL

M2000/	24	61	F	CN
	Connector Type	Dash Number	Finish	Special Option
Series	24 - Plug Connector (PC Tail Type)	61 62 63 64 65	F - Cadmium Yellow Passivated Z - Zinc Yellow Passivated K - Zinc Nickel Finish T - Nickel Ptfе Finish TI - Tin Plated N - Nickel Plated	CN - With Clinch Nut (4-40Unc) IF - With Interfacial Seal IFCN - With Interfacial Seal & Clinch Nut FS - Female Screw-lock (Jackpost) MS - Male Screw-lock L - Launch Vehicle Option Omit - Standard version

Plug-Straight PC Tail



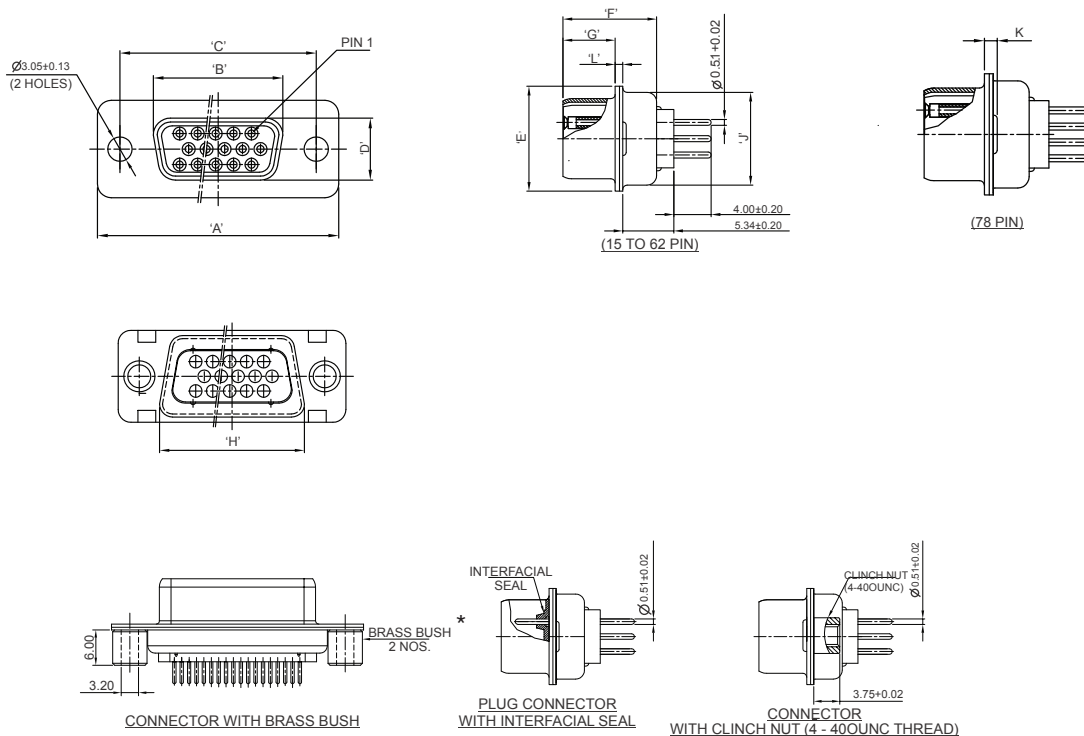
Dimensions (mm)													
Part Number (Dash Number)	High Density Contacts	A	B	C	D	E	F	G	H	J	K	L	
M2000/24-61	15	30.43 31.19	16.79 17.04	24.87 25.12	8.23 8.48	12.17 12.93	10.46 10.97	5.82 6.05	19.02 19.53	10.46 10.97	0.89 1.52	0.51 1.02	
M2000/24-62	26	38.76 39.52	25.12 25.37	33.20 33.45					27.25 27.76				
M2000/24-63	44	52.65 53.42	38.84 39.09	46.91 47.17			10.57 11.07		41.02 41.53		57.45 57.96	1.27 1.78	0.74 1.25
M2000/24-64	62	68.94 69.70	55.30 55.55	63.37 63.63					55.07 55.58				
M2000/24-65	78	66.55 67.31	52.65 52.93	60.99 61.24			11.07 11.33		14.99 15.75		55.07 55.58	13.31 13.82	

* Dimensions A-L: Top # min., Bottom # max.

HIGH DENSITY STRAIGHT PC TAIL

M2000/	23	61	F	CN
	Connector Type	Dash Number	Finish	Special Option
Series	23 - Receptacle Connector (PC Tail Type)	61 62 63 64 65	F - Cadmium Yellow Passivated Z - Zinc Yellow Passivated K - Zinc Nickel Finish T - Nickel Ptfе Finish TI - Tin Plated N - Nickel Plated	CN - With Clinch Nut (4-40Unc) IF - With Interfacial Seal IFCN - With Interfacial Seal & Clinch Nut FS - Female Screw-lock (Jackpost) MS - Male Screw-lock L - Launch Vehicle Option Omit - Standard version

Receptacle-Straight PC Tail



*Brass bush (spacer) will be supplied loose with this connector
(Not applicable for connector with clinch nut)

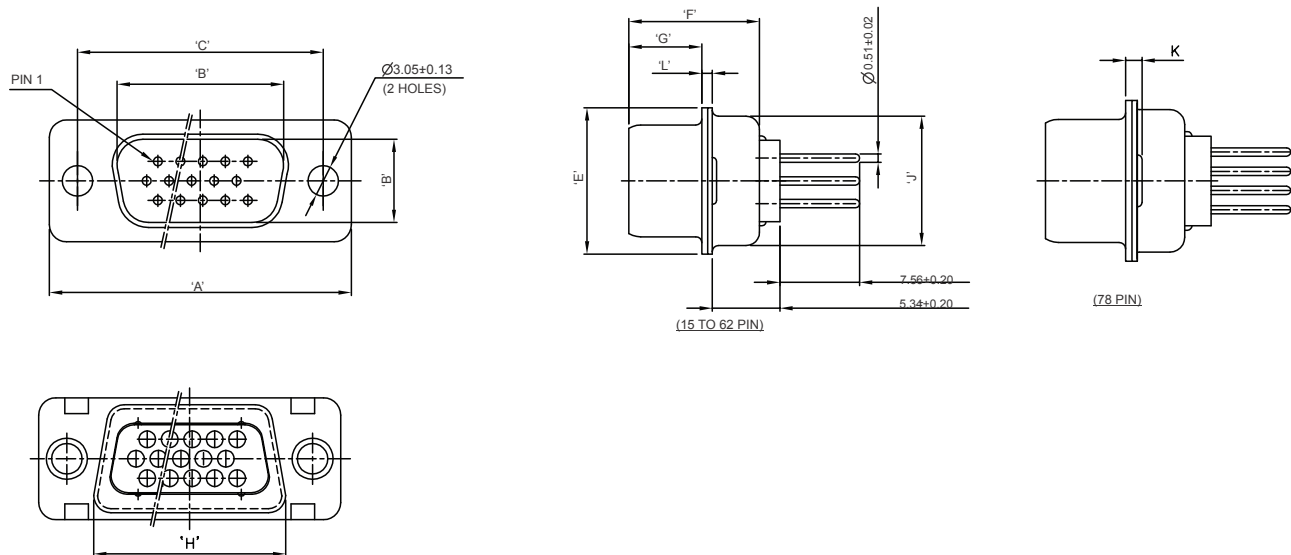
Dimensions (mm)												
Part Number (Dash Number)	High Density Contacts	A	B	C	D	E	F	G	H	J	K	L
M2000/23-61	15	30.43 31.19	16.21 16.46	24.87 25.12	7.77 8.03	12.17 12.93	10.64 11.15	6.05 6.30	19.02 19.53	10.46 10.97	0.89 1.52	0.51 1.02
M2000/23-62	26	38.76 39.52	24.54 24.79	33.20 33.45					27.25 27.76			
M2000/23-63	44	52.65 53.42	38.25 38.51	46.91 47.17					41.02 41.53			
M2000/23-64	62	68.94 69.70	34.71 34.97	63.37 63.63					57.45 57.96			
M2000/23-65	78	66.55 67.31	52.30 52.55	60.99 61.24					10.62 10.87			

* Dimensions A-L: Top # min., Bottom # max.

HIGH DENSITY STRAIGHT PC TAIL

M2000/	24	67	F	CN
	Connector Type	Dash Number	Finish	Special Option
Series	24 - Plug Connector (PC Tail Type)	67 68 69 70 71	F - Cadmium Yellow Passivated Z - Zinc Yellow Passivated K - Zinc Nickel Finish T - Nickel Ptfte Finish TI - Tin Plated N - Nickel Plated	CN - With Clinch Nut (4-40Unc) IF - With Interfacial Seal IFCN - With Interfacial Seal & Clinch Nut FS - Female Screw-lock (Jackpost) MS - Male Screw-lock L - Launch Vehicle Option Omit- Standard version

Plug-Straight PC Tail



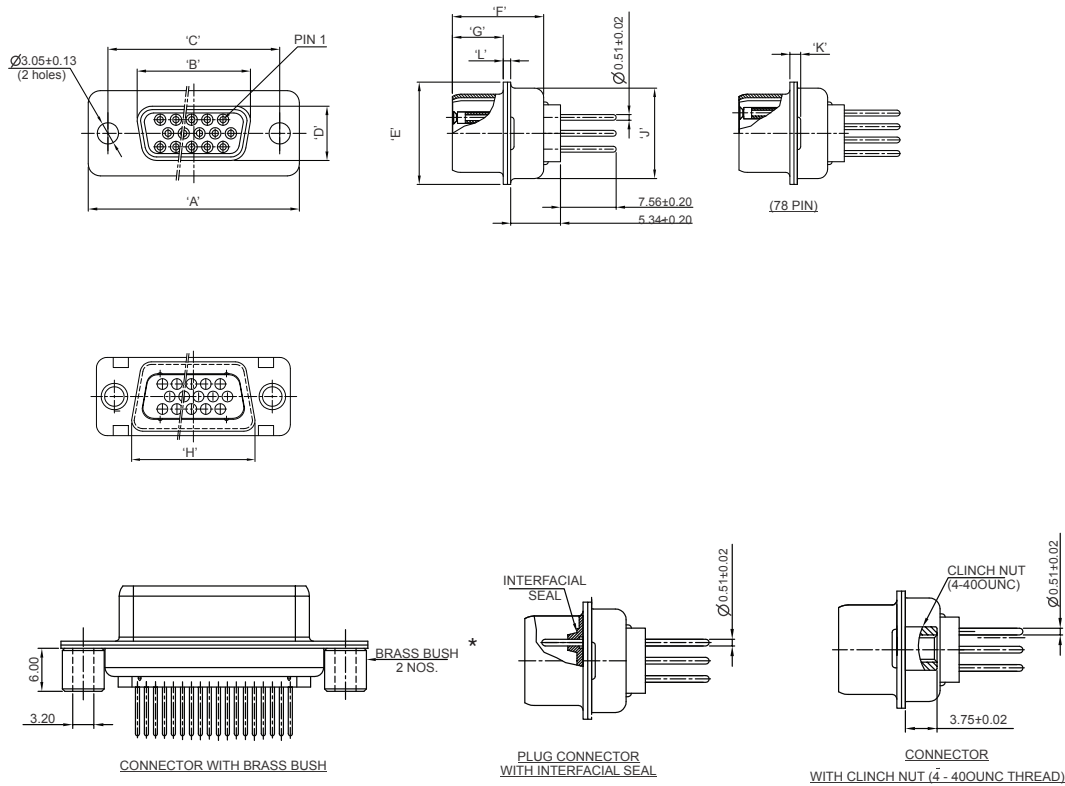
Dimensions (mm)												
Part Number (Dash Number)	High Density Contacts	A	B	C	D	E	F	G	H	J	K	L
M2000/24-67	15	30.43 31.19	16.79 17.04	24.87 25.12	8.23 8.48	12.17 12.93	10.46 10.97	5.82 6.05	19.02 19.53	10.46 10.97	0.89 1.52	0.51 1.02
M2000/24-68	26	38.76 39.52	25.12 25.37	33.20 33.45					27.25 27.76			
M2000/24-69	44	52.65 53.42	38.84 39.09	46.91 47.17			10.57 11.07		41.02 41.53		1.27 1.78	0.74 1.25
M2000/24-70	62	68.94 69.70	55.30 55.55	63.37 63.63					57.45 57.96			
M2000/24-71	78	66.55 67.31	52.65 52.93	60.99 61.24			11.07 11.33		14.99 15.75		55.07 55.58	13.31 13.82

* Dimensions A-L: Top # min., Bottom # max.

HIGH DENSITY STRAIGHT PC TAIL

M2000/	23	67	F	CN
	Connector Type	Dash Number	Finish	Special Option
Series	23 - Receptacle Connector (PC Tail Type)	67 68 69 70 71	F - Cadmium Yellow Passivated Z - Zinc Yellow Passivated K - Zinc Nickel Finish T - Nickel Ptfе Finish TI - Tin Plated N - Nickel Plated	CN - With Clinch Nut (4-40Unc) IF - With Interfacial Seal IFCN - With Interfacial Seal & Clinch Nut FS - Female Screw-lock (Jackpost) MS - Male Screw-lock L - Launch Vehicle Option Omit- Standard version

Receptacle-Straight PC Tail



*Brass bush (spacer) will be supplied loose with this connector
(Not applicable for connector with clinch nut)

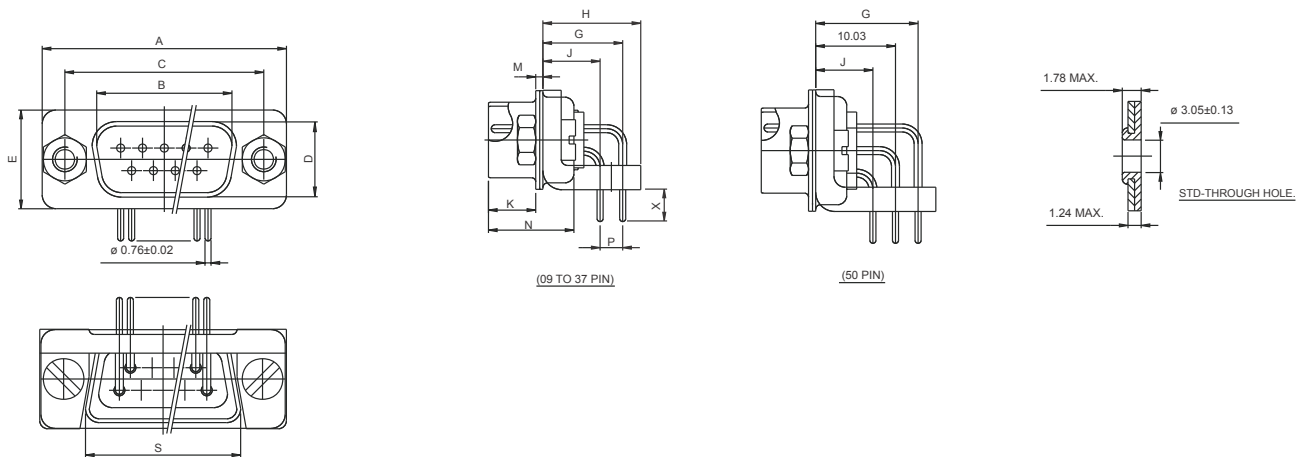
Dimensions (mm)												
Part Number (Dash Number)	High Density Contacts	A	B	C	D	E	F	G	H	J	K	L
M2000/23-67	15	30.43 31.19	16.21 16.46	24.87 25.12	7.77 8.03	12.17 12.93	10.64 11.15	6.05 6.30	19.02 19.53	10.46 10.97	0.89 1.52	0.51 1.02
M2000/23-68	26	38.76 39.52	24.54 24.79	33.20 33.45					27.25 27.76			
M2000/23-69	44	52.65 53.42	38.25 38.51	46.91 47.17					41.02 41.53			
M2000/23-70	62	68.94 69.70	34.71 54.97	63.37 63.63					57.45 57.96			
M2000/23-71	78	66.55 67.31	52.30 52.55	60.99 61.24					10.62 10.87			

* Dimensions A-L: Top # min., Bottom # max.

STANDARD D-SUB RIGHT ANGLE PC TAIL

M2000/	24	31	F	L
	Connector Type	Dash Number	Finish	Special Option
Series	24 - Right Angle Plug Connector (PC Tail Type)	31 32 33 34 35	F - Cadmium Yellow Passivated Z - Zinc Yellow Passivated K - Zinc Nickel Finish T - Nickel Ptfе Finish TI - Tin Plated N - Nickel Plated	L- Launch vehicle application Omit- Standard version

Plug-Right Angle PC Tail w/ Pin Contact

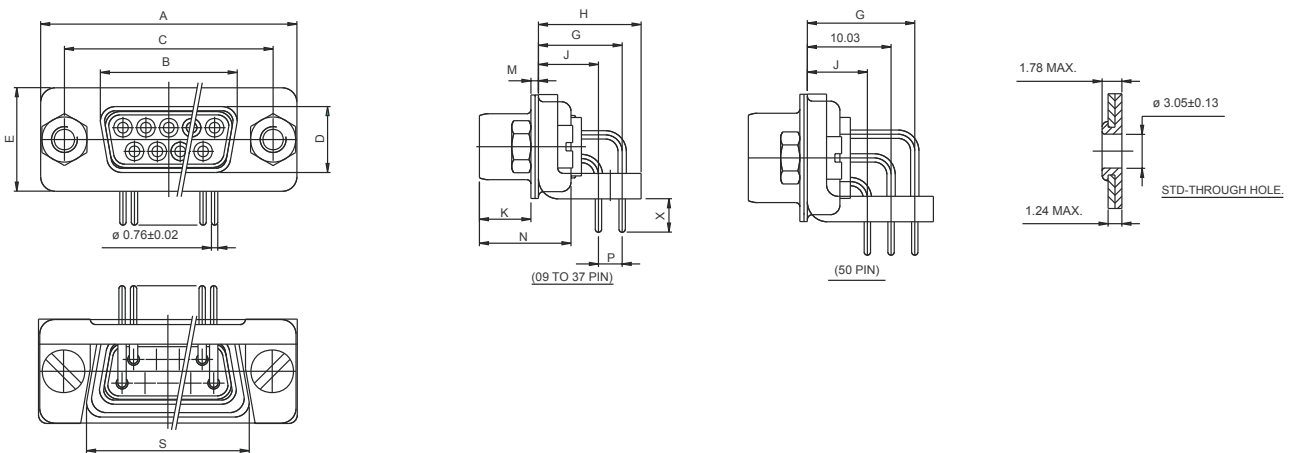


Dimensions (mm)															
Part Number (Dash Number)	Standard Density Contacts	A	B	C	D	E	G	H	J	K	M	N	P	S	X
		± 0.13	± 0.13	± 0.13	± 0.38	± 0.25	± 0.25	± 0.25	± 0.15		± 0.25	± 0.25	± 0.10	± 0.25	± 0.20
M2000/24-31	9	30.81	16.92	24.99	8.36	12.55	10.03	7.19	7.19	6.04	0.76	10.72	2.84	19.28	3.96
M2000/24-32	15	39.14	25.25	33.33						5.82				27.51	
M2000/24-33	25	53.04	38.96	47.04						5.99				29.59	
M2000/24-34	37	69.32	55.42	63.50						5.68				57.71	
M2000/24-35	50	66.93	52.81	61.11						11.20				15.37	

STANDARD D-SUB RIGHT ANGLE PC TAIL

M2000/	24	31	F	L
	Connector Type	Dash Number	Finish	Special Option
Series	23 - Right Angle Receptacle Connector (PC Tail Type)	31 32 33 34 35	F - Cadmium Yellow Passivated Z - Zinc Yellow Passivated K - Zinc Nickel Finish T - Nickel Ptfе Finish TI - Tin Plated N - Nickel Plated	L- Launch vehicle application Omit- Standard version

Receptacle-Right Angle PC Tail w/ Socket Contact

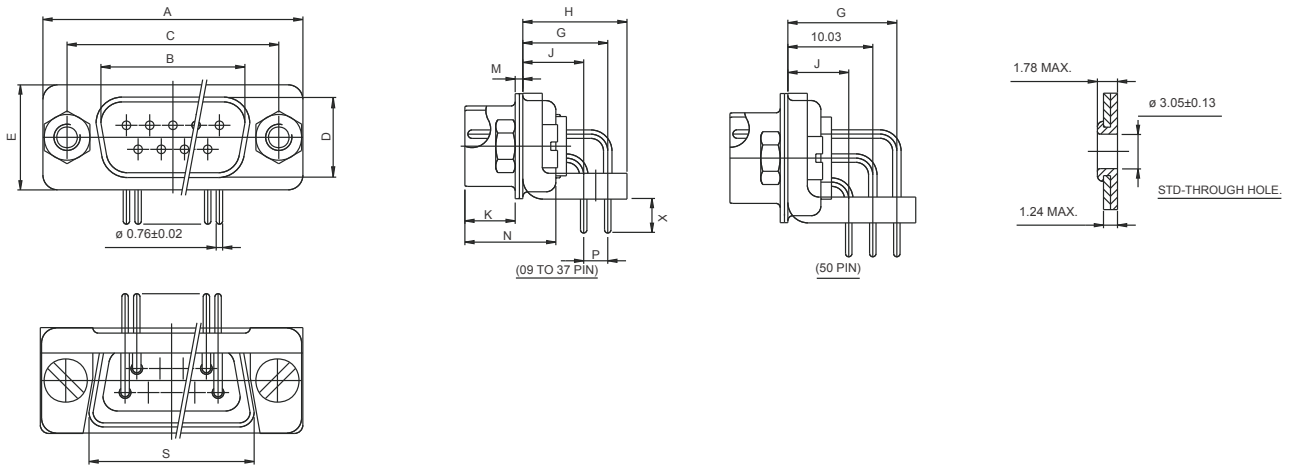


Dimensions (mm)															
Part Number (Dash Number)	Standard Density Contacts	A	B	C	D	E	G	H	J	K	M	N	P	S	X
		± 0.13	± 0.13	± 0.13	± 0.38	± 0.25	± 0.25	± 0.25	± 0.25		± 0.15	± 0.25	± 0.25	± 0.10	± 0.25
M2000/23-31	9	30.81	16.33	24.99	7.90	12.55	10.03	12.29	7.19	6.30 6.04	0.76	10.90	2.84	19.28	3.96
M2000/23-32	15	39.14	24.66	33.33										27.51	
M2000/23-33	25	53.04	38.38	47.04										29.59	
M2000/23-34	37	69.32	54.84	63.50										57.71	
M2000/23-35	50	66.93	52.81	61.11										10.74	

STANDARD D-SUB RIGHT ANGLE PC TAIL W/ EXTRA PC TAIL LENGTH

M2000/	24	49	F	L
Series	Connector Type	Dash Number	Finish	Special Option
	24 - Right Angle Plug Connector (PC Tail Type)	49 50 51 52 53	F - Cadmium Yellow Passivated Z - Zinc Yellow Passivated K - Zinc Nickel Finish T - Nickel Ptfе Finish TI - Tin Plated N - Nickel Plated	L - Launch vehicle application Omit - Standard version

Plug-Right Angle PC Tail w/ Pin Contact

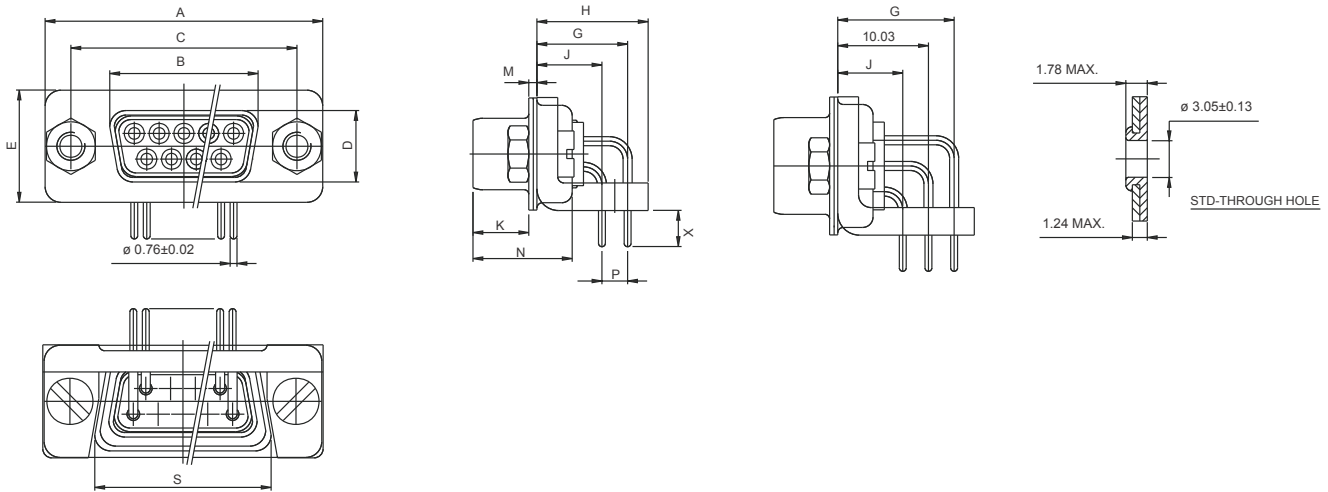


		Dimensions (mm)													
Part Number (Dash Number)	Standard Density Contacts	A	B	C	D	E	G	H	J	K	M	N	P	S	X
		± 0.13	± 0.13	± 0.13	± 0.38	± 0.25	± 0.25	± 0.25	± 0.15		± 0.25	± 0.25	± 0.10	± 0.25	± 0.20
M2000/24-49	9	30.81	16.92	24.99	8.36	12.55	10.03	12.29	7.19	6.04/ 5.82	0.76	10.72	2.84	19.28	4.78
M2000/24-50	15	39.14	25.25	33.33										27.51	
M2000/24-51	25	53.04	38.96	47.04										29.59	
M2000/24-52	37	69.32	55.42	63.50										57.71	
M2000/24-53	50	66.93	52.81	61.11										11.20	

STANDARD D-SUB RIGHT ANGLE PC TAIL W/ EXTRA PC TAIL LENGTH

M2000/	23	49	F	L
	Connector Type	Dash Number	Finish	Special Option
Series	23 - Right Angle Receptacle Connector (PC Tail Type)	49 50 51 52 53	F - Cadmium Yellow Passivated Z - Zinc Yellow Passivated K - Zinc Nickel Finish T - Nickel Ptfе Finish TI - Tin Plated N - Nickel Plated	L- Launch vehicle application Omit- Standard version

Receptacle-Right Angle PC Tail w/ Socket Contact

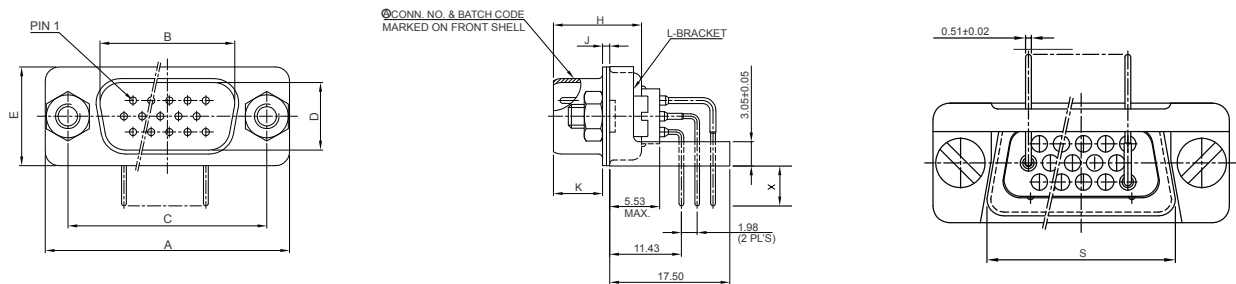


		Dimensions (mm)													
Part Number (Dash Number)	Standard Density Contacts	A	B	C	D	E	G	H	J	K	M	N	P	S	X
		± 0.13	± 0.13	± 0.13	± 0.38	± 0.25	± 0.25	± 0.25	± 0.15		± 0.25	± 0.25	± 0.10	± 0.25	± 0.20
M2000/23-49	9	30.81	16.33	24.99	7.90	12.55	10.03	12.29	7.19	6.30 6.04	0.76	10.90	2.84	19.28	4.78
M2000/23-50	15	39.14	24.66	33.33										27.51	
M2000/23-51	25	53.04	38.38	47.04										29.59	
M2000/23-52	37	69.32	54.84	63.50										57.71	
M2000/23-53	50	66.93	52.43	61.11										10.74	

HIGH DENSITY RIGHT ANGLE PC TAIL

M2000/	24	73	F	CN
Series	Connector Type	Dash Number	Finish	Special Option
	24 - Plug Connector (PC Tail Type)	73 74 75 76	F - Cadmium Yellow Passivated Z - Zinc Yellow Passivated K - Zinc Nickel Finish T - Nickel Ptfе Finish TI - Tin Plated N - Nickel Plated	CN - With Clinch Nut (4-40Unc) FS - Female Screw-lock (Jackpost) L- Launch vehicle application Omit- Standard version

Plug-Right Angle PC Tail w/ Pin Contact

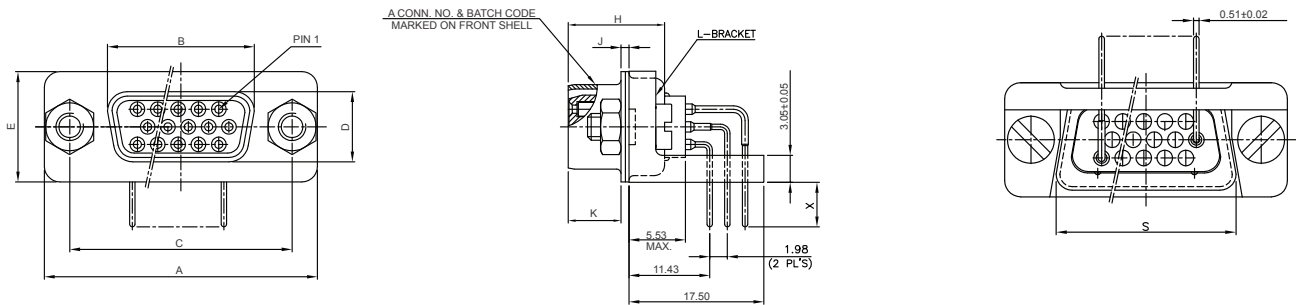


Dimensions (mm)											
Part Number (Dash Number)	High Density Contacts	A	B	C	D	E	H	J	K	S	X
		± 0.13	± 0.13	± 0.13	± 0.38	± 0.25	± 0.25	± 0.15		± 0.25	± 0.20
M2000/24-73	15	30.81	16.92	24.99	8.36	12.55	10.72	0.76	6.04	19.28	3.96
M2000/24-74	26	39.14	25.25	33.33					5.82	27.51	
M2000/24-75	44	53.04	38.96	47.04					5.99	29.59	
M2000/24-76	62	69.32	55.42	63.50					5.68	57.71	

HIGH DENSITY RIGHT ANGLE PC TAIL

M2000/	23	73	F	CN
	Connector Type	Dash Number	Finish	Special Option
Series	23 - Receptacle Connector (PC Tail Type)	73	F - Cadmium Yellow Passivated	CN - With Clinch Nut (4-40Unc) FS - Female Screw-lock (Jackpost) L- Launch vehicle application Omit- Standard version
		74	Z - Zinc Yellow Passivated	
		75	K - Zinc Nickel Finish	
		76	T - Nickel Ptfе Finish TI - Tin Plated N - Nickel Plated	

Receptacle-Right Angle PC Tail w/ Socket Contact

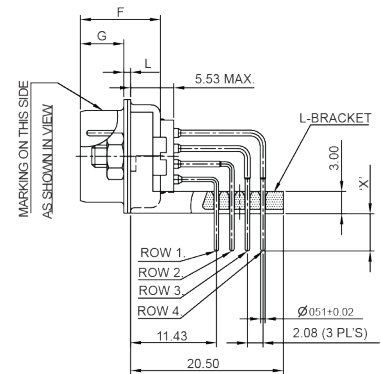
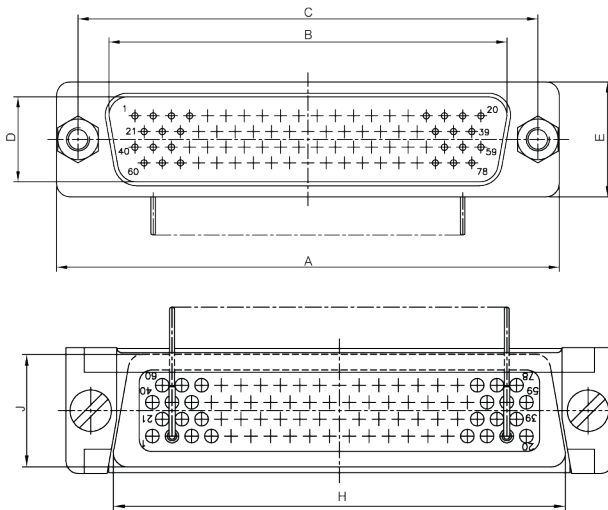


		Dimensions (mm)									
Part Number (Dash Number)	High Density Contacts	A	B	C	D	E	H	J	K	S	X
		± 0.13	± 0.13	± 0.13	± 0.38	± 0.25	± 0.25	± 0.15		± 0.25	± 0.20
M2000/23-73	15	30.81	16.33	24.99	7.90	12.55	10.90	0.76	6.04/ 6.30	19.28	3.96
M2000/23-74	26	39.14	24.66	33.33						27.51	
M2000/23-75	44	53.04	38.38	47.04			10.82	0.99		29.59	
M2000/23-76	62	69.32	54.84	63.50						57.71	

HIGH DENSITY RIGHT ANGLE PC TAIL

M2000/	24	77	F	CN
Series	Connector Type	Dash Number	Finish	Special Option
	24 - Plug Connector (PC Tail Type)	77	F - Cadmium Yellow Passivated Z - Zinc Yellow Passivated K - Zinc Nickel Finish T - Nickel Ptfе Finish TI - Tin Plated N - Nickel Plated	CN - With Clinch Nut (4-40Unc) FS - Female Screw-lock (Jackpost) L - Launch vehicle application Omit- Standard version

Plug-Right Angle PC Tail

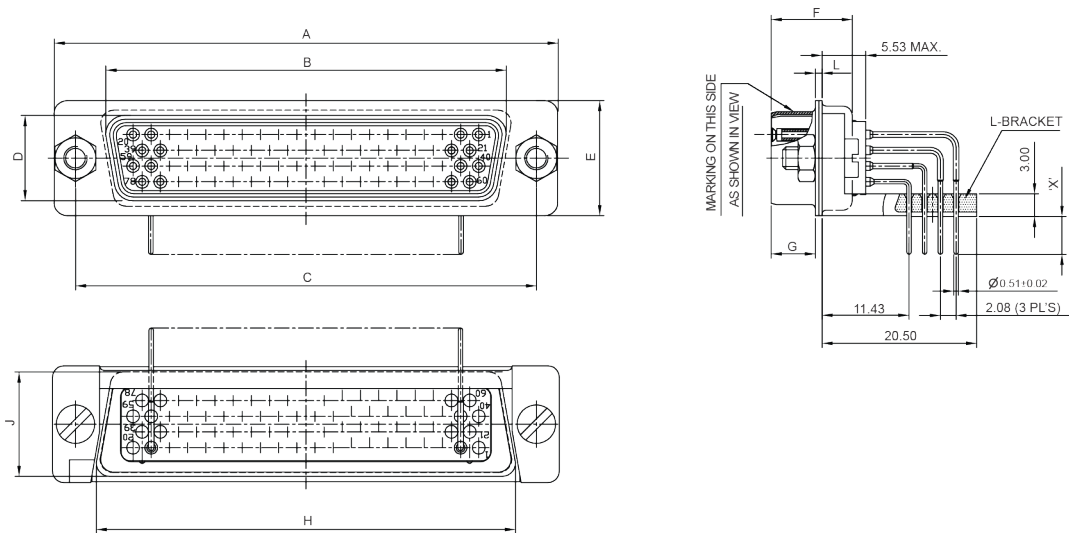


Dimensions (mm)													
Part Number (Dash Number)	High Density Contacts		A	B	C	D	E	F	G	H	J	L	X
M2000/24-77	78	Min.	67.31	52.55	61.24	10.87	15.57	11.15	6.30	55.58	13.82	1.24	3.96
		Max	66.51	52.30	60.99	10.62	14.99	10.64	6.05	55.07	13.31	0.74	

HIGH DENSITY RIGHT ANGLE PC TAIL

M2000/	23	77	F	CN
Series	Connector Type	Dash Number	Finish	Special Option
	23 - Receptacle Connector (PC Tail Type)	77	F - Cadmium Yellow Passivated Z - Zinc Yellow Passivated K - Zinc Nickel Finish T - Nickel Ptfе Finish TI - Tin Plated N - Nickel Plated	CN - With Clinch Nut (4-40Unc) FS - Female Screw-lock (Jackpost) L- Launch vehicle application Omit- Standard version

Receptacle-Right Angle PC Tail

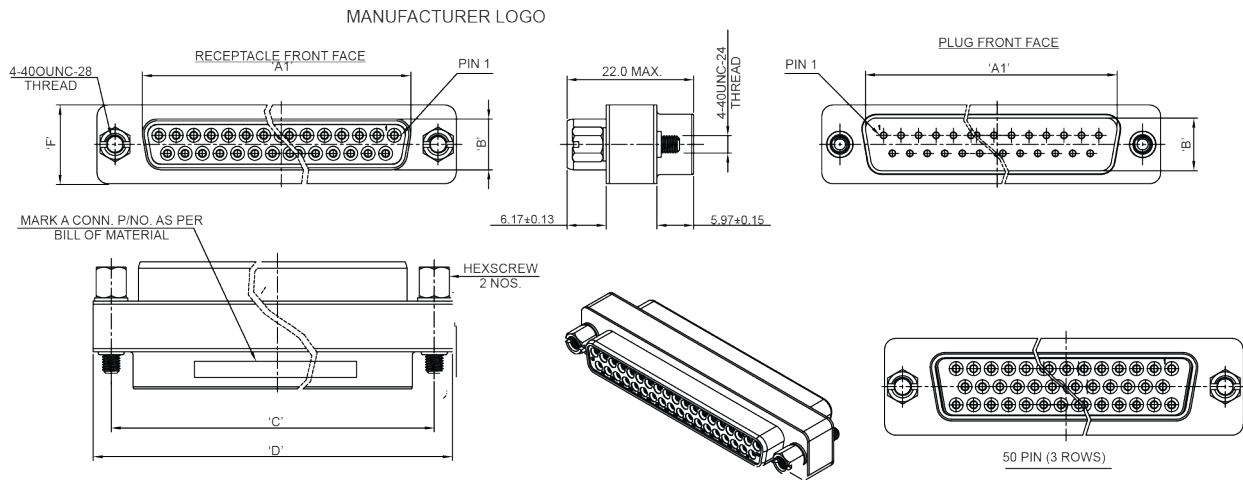


Dimensions (mm)													
Part Number (Dash Number)	High Density Contacts		A	B	C	D	E	F	G	H	J	L	X
M2000/23-77	78	Min.	67.31	52.55	61.24	10.87	15.57	11.15	6.30	55.58	13.82	1.24	3.96
		Max	66.51	52.30	60.99	10.62	14.99	10.64	6.05	55.07	13.31	0.74	

SAVER TYPE CONNECTOR

M2000/	CS	15	F	PS
Series	Saver Connector	Number of Pins	Finish	Option
		Standard- 9,15, 25, 37,50	F - Cadmium Yellow Passivated Z - Zinc Yellow Passivated K - Zinc Nickel Finish T - Nickel Ptfе Finish TI - Tin Plated N - Nickel Plated	PS-Plug to Receptacle

Standard Density Saver

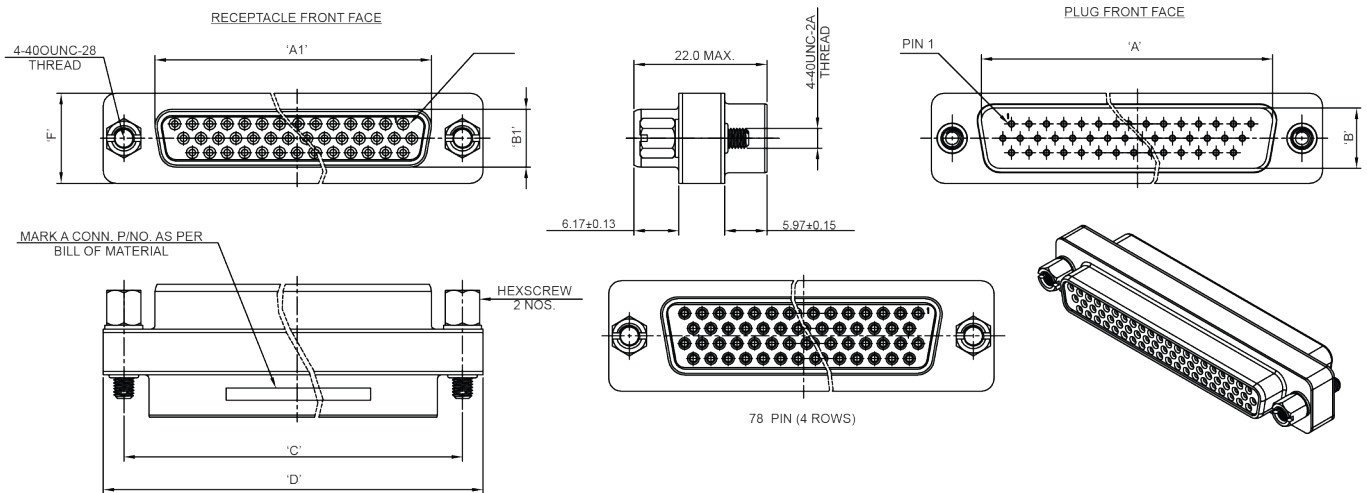


Dimensions (mm)								
Part Number (Dash Number)	High Density Contact	A	B	A1	B1	C	D	F
		± 0.13	± 0.13	± 0.13	± 0.13	± 0.13	± 0.38	± 0.38
M2000/CS-9	15	16.92	8.36	16.33	7.90	24.99	30.81	12.55
M2000/CS-15	26	25.25		24.66		33.32	39.14	
M2000/CS-25	44	38.96		38.38		47.04	53.04	
M2000/CS-37	62	55.42		54.84		63.50	69.32	
M2000/CS-37	78	52.81	11.20	52.43	10.74	61.11	66.93	15.37

SAVER TYPE CONNECTOR

M2000/	CS	HD	15	F	PS
Series	Saver Connector	Density	Number of Pins	Finish	Option
		HD- High Density	High Density- 15, 26, 44, 62, 78	F - Cadmium Yellow Passivated Z - Zinc Yellow Passivated K - Zinc Nickel Finish T - Nickel Ptfе Finish TI - Tin Plated N - Nickel Plated	PS-Plug to Receptacle

High Density Saver



Dimensions (mm)								
Part Number (Dash Number)	High Density Contact	A	B	A1	B1	C	D	F
		± 0.13	± 0.13	± 0.13	± 0.13	± 0.13	± 0.38	± 0.38
M2000/CSHD-15	15	16.92	8.36	16.33	7.90	24.99	30.81	12.55
M2000/CSHD-26	26	25.25		24.66		33.32	39.14	
M2000/CSHD-44	44	38.96		38.38		47.04	53.04	
M2000/CSHD-62	62	55.42		54.84		63.50	69.32	
M2000/CSHD-78	78	52.81	11.20	52.43	10.74	61.11	66.93	15.37

STRAIN RELIEF BACKSHELL

Technical Data

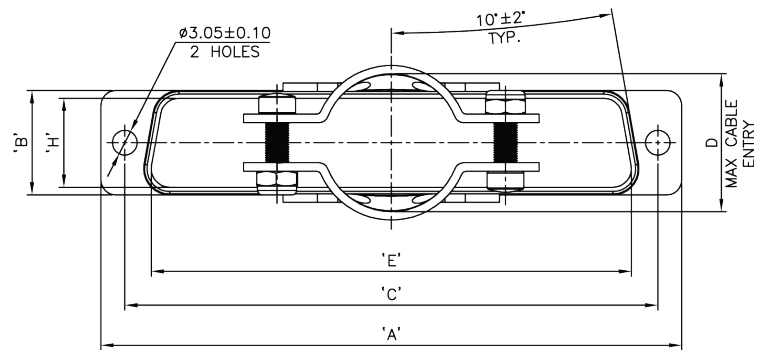
Technical Data

Materials

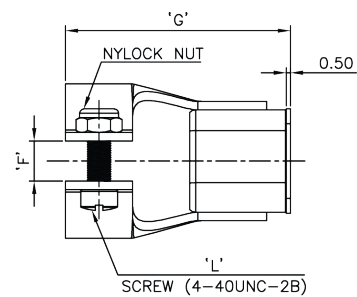
Shell & Clamp: Mild Steel
Hardware : Stainless Steel

Finish

Shell & Clamp:
F - Cadmium Yellow Passivation
N- Electroless Nickel Finish
F - Cadmium Yellow Passivation
Hardware: N - SS Passivation



Recommended Torque: 4 Inch lb. max



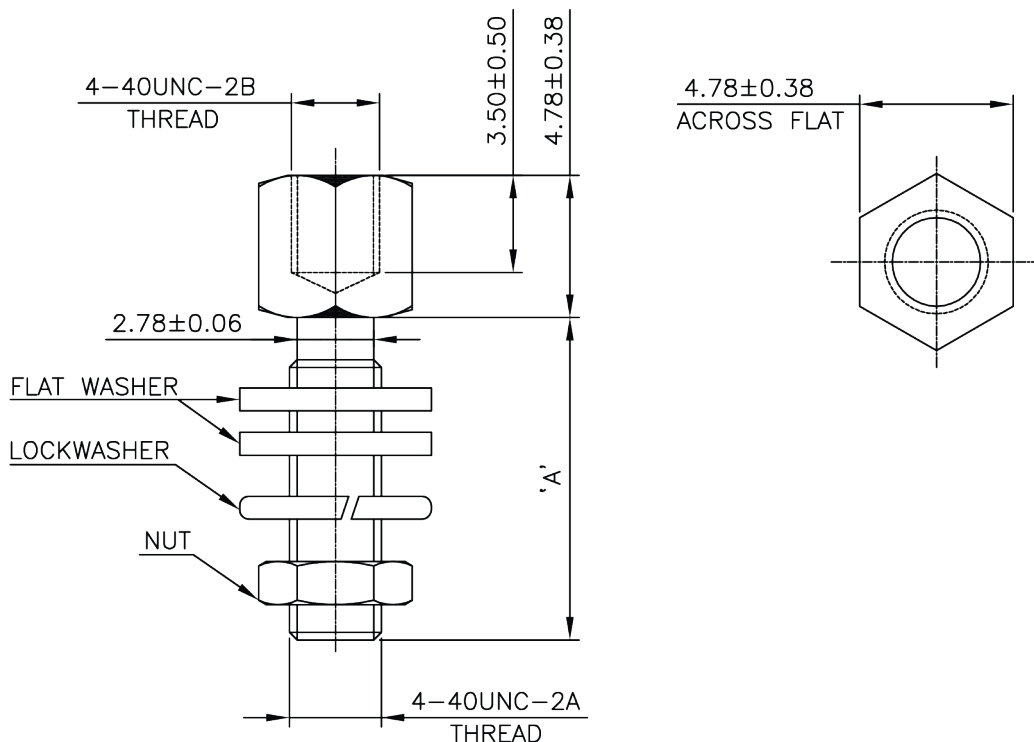
Dimensions (mm)											
Part Number Cadmium Yellow Passivation	Part Number Electroless Nickel	Standard Density Contacts	High Density Contacts	A		B		D		E	
				inch	mm	inch	mm	inch	mm	inch	mm
M85049/48-2-1F	M85049/48-2-1N	9	15	1.223 1.193	31.06 30.30	.515 .485	13.08 12.32	0.406	10.31	.676 .646	17.17 16.41
M85049/48-2-2F	M85049/48-2-2N	15	26	1.546 1.516	39.26 38.51	.515 .485	13.08 12.32	0.406	10.31	.999 .969	25.37 24.61
M85049/48-2-3F	M85049/48-2-3N	25	44	2.093 2.063	53.16 52.40	.515 .485	13.08 12.32	0.593	15.06	1.530 1.500	38.86 38.10
M85049/48-2-4F	M85049/48-2-4N	37	62	2.733 2.703	69.42 68.66	.515 .485	13.08 12.32	0.718	18.24	2.186 2.156	55.52 54.76
M85049/48-2-5F	M85049/48-2-5N	50	78	2.640 2.610	67.06 66.29	.624 .594	15.85 15.09	0.812	20.62	2.108 2.078	53.54 52.78

Dimensions (mm)											
Part Number Cadmium Yellow Passivation	Part Number Electroless Nickel	Standard Density Contacts	High Density Contacts	F		G		H		L (+/-0.031; +/-0.78)	
				inch	mm	inch	mm	inch	mm	inch	mm
M85049/48-2-1F	M85049/48-2-1N	9	15	.140 .110	3.56 2.79	1.061 1.001	26.95 25.43	.359 .329	9.12 8.36	0.375	9.53
M85049/48-2-2F	M85049/48-2-2N	15	26	.140 .110	3.56 2.79	1.061 1.001	26.95 25.43	.359 .329	9.12 8.36	0.375	9.53
M85049/48-2-3F	M85049/48-2-3N	25	44	.202 .172	5.13 4.37	1.092 1.032	27.74 26.21	.359 .329	9.12 8.36	0.375	9.53
M85049/48-2-4F	M85049/48-2-4N	37	62	.265 .235	6.73 5.97	1.092 1.032	27.74 26.21	27.74 26.21	9.12 8.36	0.500	12.70
M85049/48-2-5F	M85049/48-2-5N	50	78	.327 .297	8.31 7.54	1.092 1.032	27.74 26.21	27.74 26.21	11.51 10.74	0.625	15.88

* Dimensions A-L: Top # min., Bottom # max.

FEMALE SCREW LOCK ASSEMBLY

M2000/	26	1	F
Series	Male Screw Lock	Dash Number	Finish
			F - Cadmium Yellow Passivated Z - Zinc Yellow Passivated TI - Tin Plated None- Nickel



Dimensions (mm)	
Part Number (Dash Number)	A
M2000/26-1	7.92
M2000/26-2	15.88

* All dimensions in mm

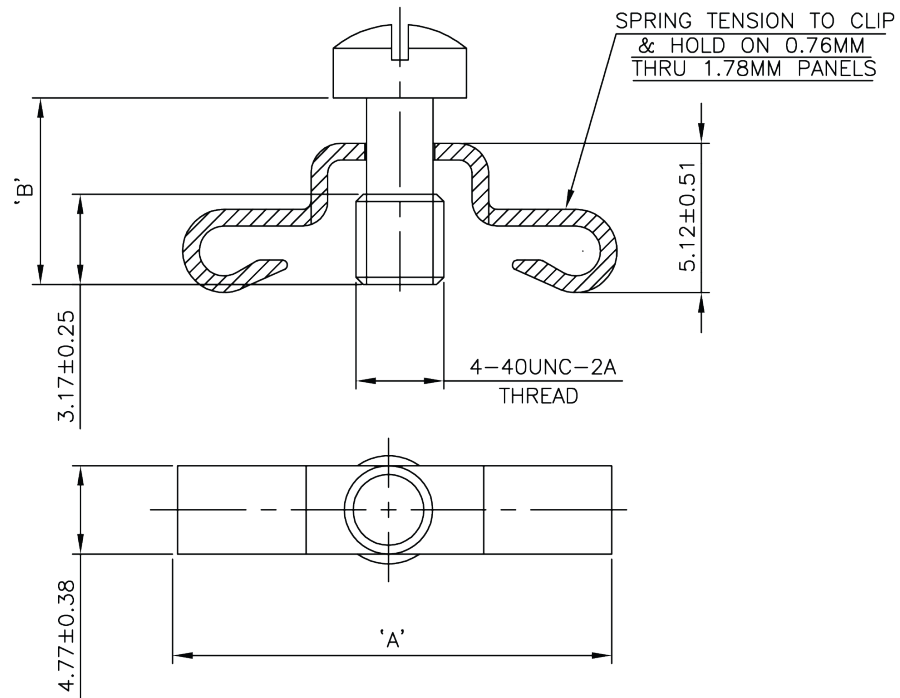
* When the connector using the alternate method of securing the shell is front mounted, one flat washer shall be used as a spacer between the mounted surface and the connector

Corrosive Atmosphere: 48 hours, 5% Salt Solution At $35^{\circ} \pm 2^{\circ}\text{C}$ and 95% To 98% Relative Humidity

Material & Finish: Cold Rolled Steel With Cadmium Yellow Passivation

MALE SCREW LOCK ASSEMBLY

M2000/	25	10	F
Series	Male Screw Lock	Dash Number	Finish
		9: 1-4 10: 5	F - Cadmium Yellow Passivated Z - Zinc Yellow Passivated TI - Tin Plated None- Nickel



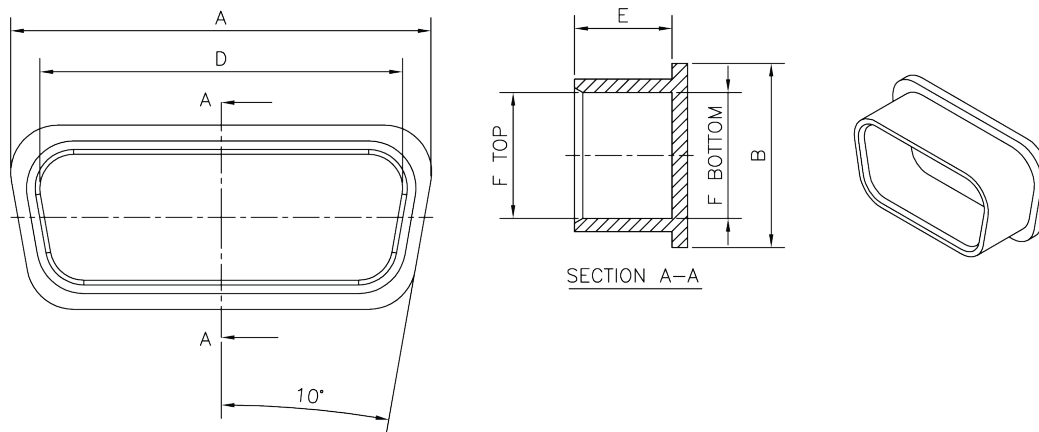
Dimensions (mm)			
Part Number (Dash Number)	Contacts	A	B
M2000/25-9	9	14.10	7.14
M2000/25-10	10	16.66	7.14

* All dimensions in mm

* Screw shall be captivate in the clip after assembly by the end user and corrosion resistant steel screw shall be used with corrosion resistant steel clip & cold rolled screws shall be used with sheet steel clip

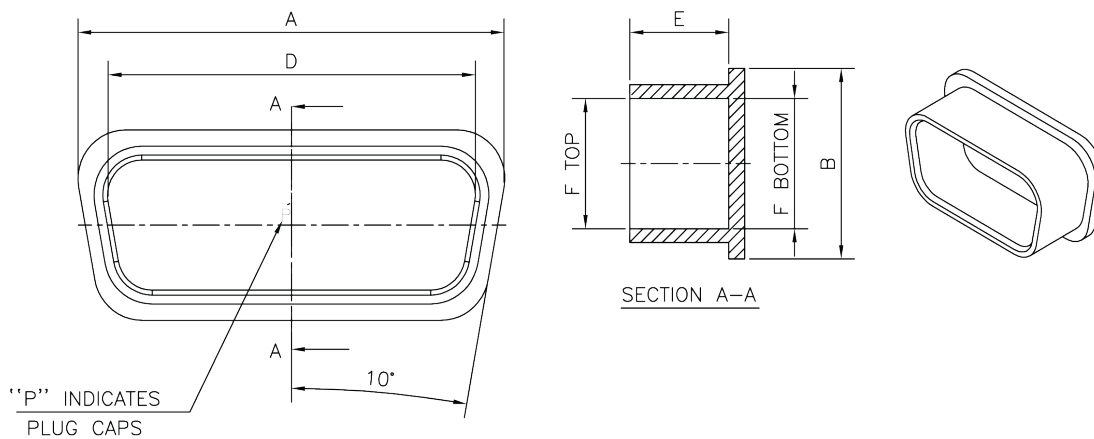
DUST COVER

Plastic Dust Cap For Receptacle Connector



Dimensions (mm)							
Part Number (Dash Number)	Standard Density Contacts	High Density Contacts	A	B	D	E	F
			± 0.30	± 0.30	± 0.20	± 0.20	± 0.20
M2000-109125	9	15	18.50	11.80	16.20	5.00	7.65
M2000-109126	15	26	27.00		24.60		
M2000-109127	25	44	40.90		38.30		
M2000-109128	37	62	57.30		54.70		
M2000-109129	50	78	55.20	14.50	52.40		10.50

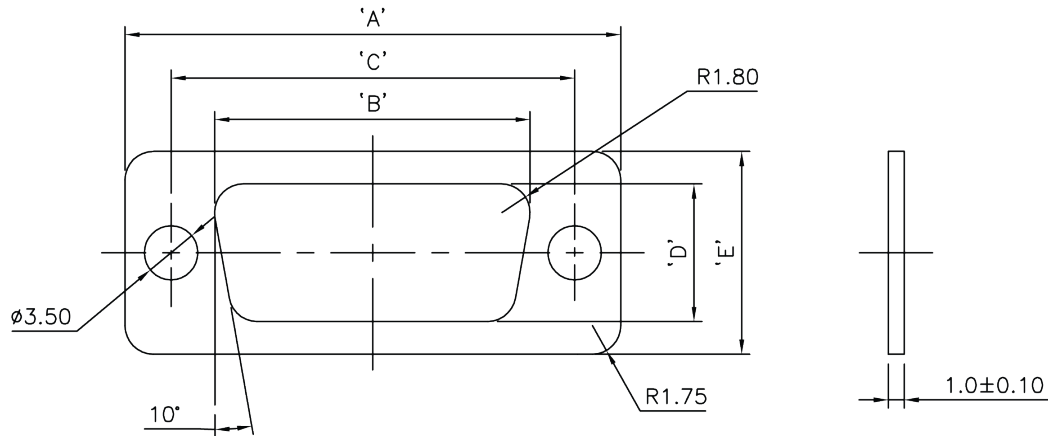
Plastic Dust Cap For Plug Connector



Dimensions (mm)							
Part Number (Dash Number)	Standard Density Contacts	High Density Contacts	A	B	D	E	F
			± 0.30	± 0.30	± 0.20	± 0.20	± 0.20
M2000-109118	9	15	20.30	13.00	17.70	4.50	8.98
M2000-109119	15	26	28.10		26.00		
M2000-109120	25	44	42.00		40.00		
M2000-109121	37	62	59.00		56.70		
M2000-109122	50	78	56.00	14.50	54.00		12.10

GASKET FOR D-SUB CONNECTORS

M2000/	1	SG	A
Series	Shell Size	Sealing Gasket	Shielding Range
			A:80db B: 70db



*For Availability Of This Product Please Contact Factory

Dimensions (mm)							
Part Number (Dash Number)	Standard Density Contacts	High Density Contacts	A	B	C	D	E
			± 0.13	± 0.13	± 0.13	± 0.13	± 0.13
M2000/1-SG	9	15	30.70	19.00	24.99	10.00	12.40
M2000/2-SG	15	26	39.00	27.00	33.32		
M2000/3-SG	25	44	52.90	41.00	47.04		
M2000/4-SG	37	62	69.20	57.00	63.50		

Technical: Data

Material: : Zluorosilicone

Temperature: - 55°C To 160°C

Hardness

For A Type: 65±10

For B Type: 75±7

NOTES

Notice: Specifications are subject to change without notice. Contact your nearest Amphenol Corporation Sales Office for the latest specifications. All statements, information and data given herein are believed to be accurate and reliable, but are presented without guarantee, warranty, or responsibility of any kind expressed or implied. Statements or suggestions concerning possible use of our products are made without representation or warranty that any such use is free of patent infringement and are not recommendations to infringe any patent. The user should not assume that all safety measures are indicated or that other measures may not be required. Specifications are typical and may not apply to all connectors.

© 2018 Amphenol Pcd

Amphenol Pcd

www.amphenolpcd.com

Mouser Electronics

Authorized Distributor

Click to View Pricing, Inventory, Delivery & Lifecycle Information:

Amphenol:

[M24308/2-518](#) [M24308/4-337](#) [M24308/4-345](#) [M24308/2-520](#) [M24308/2-521](#) [M24308/2-522](#) [M24308/2-523](#)
[M24308/2-524](#) [M24308/2-525](#) [M24308/2-527](#) [M24308/2-529](#) [M24308/4-338](#) [M24308/2-519](#) [M24308/2-517](#)
[M24308/4-5F](#) [M24308/4-9Z](#) [M24308/2-282Z](#) [M24308/2-6F](#) [M24308/2-282F](#) [M24308/4-359](#) [M24308/2-567](#)
[M24308/2-284F](#) [M24308/2-285Z](#) [M24308/6-505](#) [M24308/2-6Z](#) [M24308/6-503](#) [M24308/4-346](#) [M24308/4-3F](#)
[M24308/4-10F](#) [M24308/2-565](#) [M24308/4-260Z](#) [M24308/2-561](#) [M24308/2-8Z](#) [M24308/2-530](#) [M24308/4-339](#)
[M24308/8-348](#) [M24308/2-5F](#) [M24308/4-262Z](#) [M24308/2-281Z](#) [M24308/4-335](#) [M24308/6-506](#) [M24308/4-366](#)
[M24308/2-283F](#) [M24308/8-338](#) [M24308/4-6F](#) [M24308/4-349](#) [M24308/8-347](#) [M24308/4-260F](#) [M24308/4-259F](#)
[M24308/2-5Z](#) [M24308/2-7F](#) [M24308/4-263Z](#) [M24308/2-8F](#) [M24308/2-560](#) [M24308/4-364](#) [M24308/4-2Z](#) [M24308/2-](#)
[563](#) [M24308/4-1F](#) [M24308/2-1F](#) [M24308/2-4F](#) [M24308/4-357](#) [M24308/2-569](#) [M24308/2-1Z](#) [M24308/4-348](#)
[M24308/2-528](#) [M24308/4-8Z](#) [M24308/2-2Z](#) [M24308/4-4F](#) [M24308/4-261F](#) [M24308/4-262F](#) [M24308/2-281F](#)
[M24308/2-562](#) [M24308/2-526](#) [M24308/2-10F](#) [M24308/4-363](#) [M24308/2-285F](#) [M24308/2-3Z](#) [M24308/2-4Z](#)
[M24308/4-358](#) [M24308/4-360](#) [M24308/2-564](#) [M24308/4-8F](#) [M24308/2-9F](#) [M24308/2-566](#) [M24308/2-2F](#) [M24308/4-](#)
[2F](#) [M24308/4-347](#) [M24308/6-514](#) [M24308/4-7F](#) [M24308/4-263F](#) [M24308/4-340](#) [M24308/2-7Z](#) [M24308/2-3F](#)
[M24308/4-12F](#) [M24308/4-11F](#) [M24308/4-268Z](#) [M24308/2-14Z](#) [M24308/2-290F](#) [M24308/2-286Z](#) [M24308/2-15Z](#)