

Customer Information Sheet

DRAWING No.: M20-788XXX

SHEET 2 OF 2

IF IN DOUBT - ASK



NOT TO SCALE

THIRD ANGLE PROJECTION

ALL DIMENSIONS IN mm

SPECIFICATION:

MATERIAL:

MOULDING = PA9T UL94V-0, BLACK

CONTACTS = PHOSPHOR BRONZE

FINISH (OVER NICKEL):

42 = GOLD ON CONTACT AREA, 100% TIN ON TAILS

46 = 100% TIN

ELECTRICAL:

CURRENT RATING = 3A

VOLTAGE PROOF = 1000V AC

CONTACT RESISTANCE = 20mΩ MAX

INSULATION RESISTANCE = 1,000MΩ MIN

ENVIRONMENTAL:

TEMPERATURE RANGE = -40°C TO +105°C

MECHANICAL:

INSERTION FORCE = 1.96N MAX

WITHDRAWAL FORCE = 0.29N MIN

DURABILITY = 300 OPERATIONS

PACKING:

TUBE

FOR COMPLETE SPECIFICATION SEE COMPONENT SPECIFICATION COO1XX (LATEST ISSUE)

Active products:

M20-78802XX

M20-78803XX

M20-78804XX

M20-78805XX

M20-7880646

M20-7880742

M20-78808XX

M20-78809XX

M20-78810XX

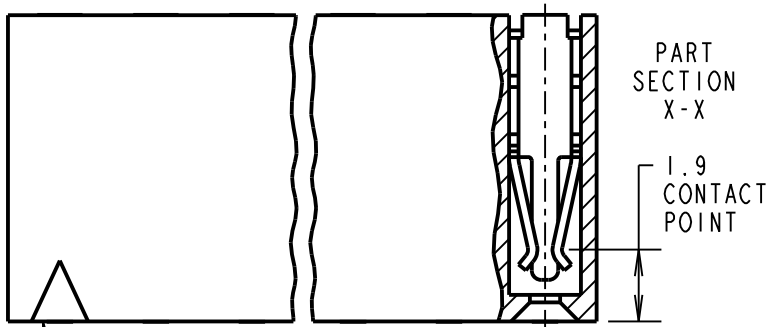
M20-78812XX

M20-7881446

M20-78816XX

M20-7882046

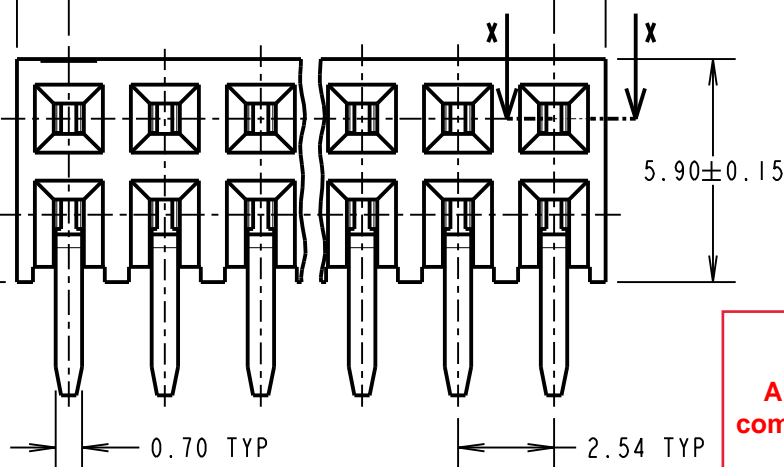
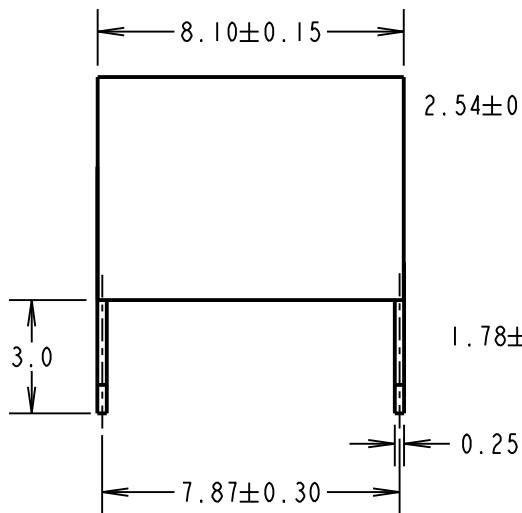
M20-7882546



CONTACT 1 IDENTIFICATION

(2.54 x No. OF CONTACTS PER ROW) + 0.20 ±0.30

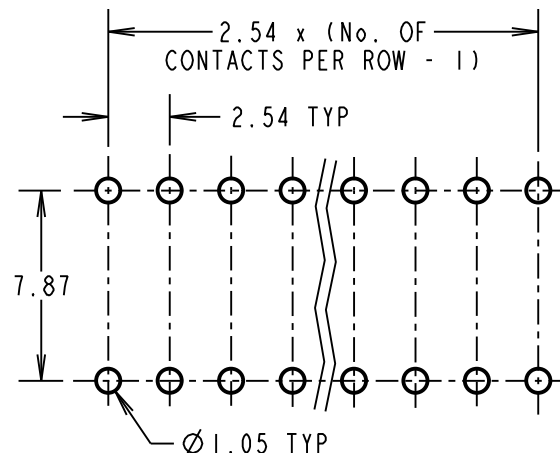
2.54 x (No. OF CONTACTS PER ROW - 1) ±0.25



ORDER CODE: **M20-788XXX**

No. OF CONTACTS PER ROW: _____
02 TO 20, 25, 35, 36

FINISH: _____
42 = SELECTIVE GOLD + 100% TIN
46 = 100% TIN



RECOMMENDED PCB LAYOUT (TOLERANCE = ±0.05)

OBSOLETE
All other size/finish combinations not listed above

WJP	11	01.08.17	20398
NAME	ISS.	DATE	C/NOTE
APPROVED: W. J. PRESTON			
CHECKED: M. PERREN			
DRAWN: J. EVANS			
CUSTOMER REF.:			
ASSEMBLY DRG:			

HARWIN

www.harwin.com
technical@harwin.com

THIS DRAWING AND ANY INFORMATION OR DESCRIPTIVE MATTER SET OUT HEREON ARE CONFIDENTIAL AND COPYRIGHT PROPERTY OF THE HARWIN GROUP AND MUST NOT BE DISCLOSED, LOANED, COPIED OR USED FOR MANUFACTURING, TENDERING OR FOR ANY OTHER PURPOSE WITHOUT THEIR WRITTEN PERMISSION.

TOLERANCES

X. = ±1mm
X.X = ±0.50mm
X.XX = ±0.10mm
X.XXX = ±0.01mm
ANGLES = ±5°
UNLESS STATED

MATERIAL:

SEE ABOVE

FINISH: SEE ABOVE

S/AREA: mm²

TITLE:

2.54mm PITCH DIL PC TAIL HORIZONTAL SOCKET ASSEMBLY

DRAWING NUMBER:

M20-788XXX

SHT
2 OF 2

Mouser Electronics

Authorized Distributor

Click to View Pricing, Inventory, Delivery & Lifecycle Information:

Harwin:

[M20-7881642](#) [M20-7881646](#) [M20-7880446](#) [M20-7880442](#) [M20-7881442](#) [M20-7881446](#) [M20-7880246](#) [M20-7880242](#) [M20-7881046](#) [M20-7881042](#) [M20-7881842](#) [M20-7881846](#) [M20-7880642](#) [M20-7880646](#) [M20-7883546](#) [M20-7883542](#) [M20-7882546](#) [M20-7882542](#) [M20-7883642](#) [M20-7883646](#) [M20-7882042](#) [M20-7882046](#) [M20-7881542](#) [M20-7881546](#) [M20-7880346](#) [M20-7880342](#) [M20-7881146](#) [M20-7881142](#) [M20-7880742](#) [M20-7880746](#) [M20-7881942](#) [M20-7881946](#) [M20-7881742](#) [M20-7881746](#) [M20-7880546](#) [M20-7880542](#) [M20-7880946](#) [M20-7880942](#) [M20-7881342](#) [M20-7881346](#) [M20-7881242](#) [M20-7881246](#) [M20-7880846](#) [M20-7880842](#)