

V-RC/TGUM 11/KVD 11/LBL 12 - Cable connector



1000041

<https://www.phoenixcontact.com/us/products/1000041>

Please be informed that the data shown in this PDF document is generated from our online catalog. Please find the complete data in the user documentation. Our general terms of use for downloads are valid.



Cable connector, number of positions: 12, status display: No; master cable connection: M23 screw locking, shielding: no, Alternative product in accordance with RoHS II without Exemption 6c (Pb < 0.1 %) item no.: 1237970

Commercial data

Item number	1000041
Packing unit	1 pc
Minimum order quantity	1 pc
Sales key	AB31
Product key	ABRAFA
Catalog page	Page 128 (PC-2009)
GTIN	4017918399832
Weight per piece (including packing)	101.9 g
Weight per piece (excluding packing)	101.9 g
Customs tariff number	85366990
Country of origin	DE

V-RC/TGUM 11/KVD 11/LBL 12 - Cable connector



1000041

<https://www.phoenixcontact.com/us/products/1000041>

Technical data

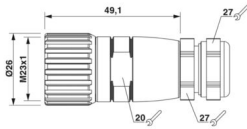
Notes

General	The connector is designed for use on sensor/actuator boxes with an M23 plug-in connection.
---------	--

Product properties

Product type	Circular connector (cable-side)
Number of positions	12

Dimensions

Dimensional drawing	
Width	26 mm
Height	26 mm
Length	69 mm

Material specifications

Material Housing	GD-Zn
Flammability rating according to UL 94	V0
Contact material	CuZn
Contact surface material	gold-plated
Contact carrier material	PBT

Connection data

Conductor connection	
Connection method	Solder connection
Connection cross section	1 mm ²
	1.5 mm ²

Pin assignment	
Slot/position = Wire color or connection	1 / 4 (A) = 1 = WH
	2 / 4 (A) = 2 = GN
	3 / 4 (A) = 3 = YE
	4 / 4 (A) = 4 = GY
	5 / 4 (A) = 5 = PK
	6 / 4 (A) = 6 = RD
	7 / 4 (A) = 7 = BK
	8 / 4 (A) = 8 = VT
	1-8 / 1 (+ 120 V) = 11 = BN
	1-8 / 3 (0 V) = 9+10 = BU

V-RC/TGUM 11/KVD 11/LBL 12 - Cable connector



1000041

<https://www.phoenixcontact.com/us/products/1000041>

	1-8 / 5 (PE) = 12 = GNYE
--	--------------------------

Electrical properties

Nominal voltage U_N	150 V
Rated current, total	8 A (with 1 mm ² conductor cross section)

Connector

Connection 2

Head design	Socket
Head cable outlet	straight
Head thread type	M23

Cable/line

External cable diameter ()	8 mm ... 12 mm
Connection method	M23 screw locking

Environmental and real-life conditions

Ambient conditions

Degree of protection	IP65
	IP67
Ambient temperature (operation)	-20 °C ... 80 °C

V-RC/TGUM 11/KVD 11/LBL 12 - Cable connector

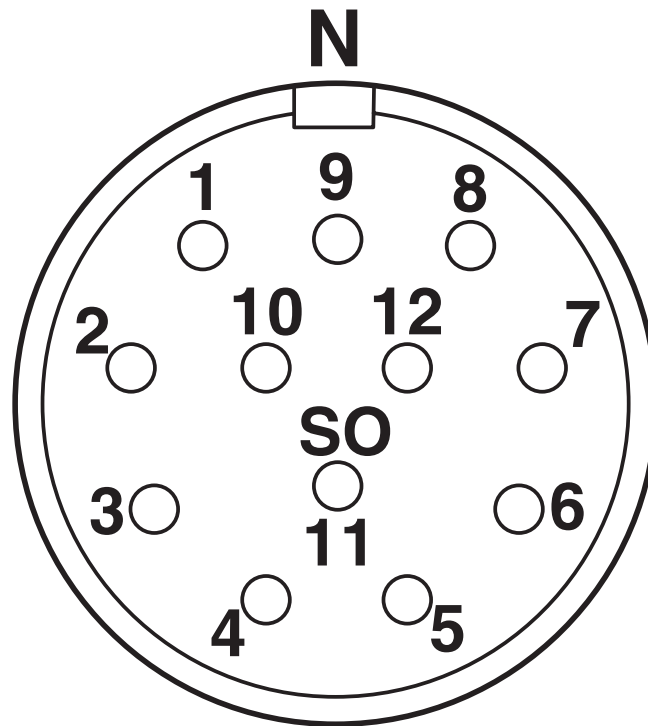


1000041

<https://www.phoenixcontact.com/us/products/1000041>

Drawings

Schematic diagram



Pin assignment M23 socket, 12-pos., female side view

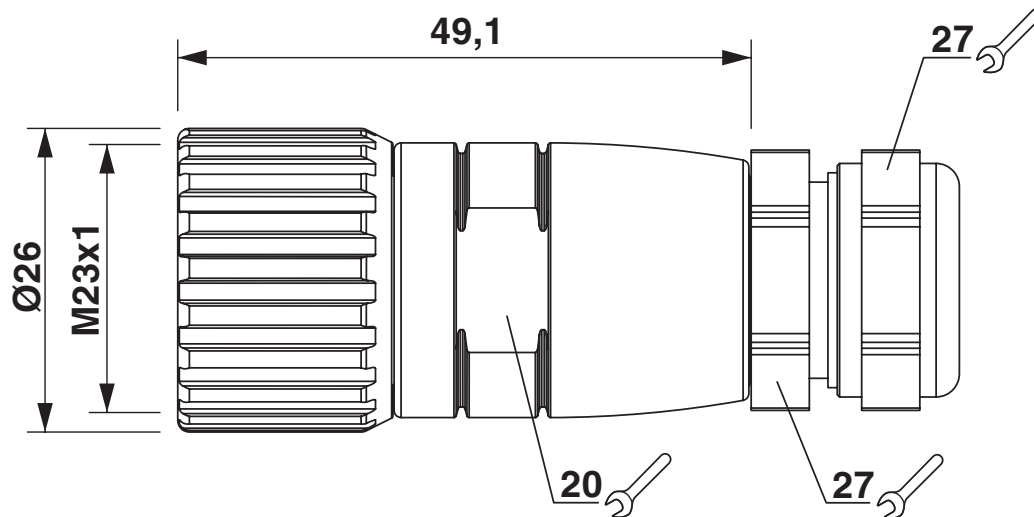
V-RC/TGUM 11/KVD 11/LBL 12 - Cable connector



1000041

<https://www.phoenixcontact.com/us/products/1000041>

Dimensional drawing



Dimensional drawing

V-RC/TGUM 11/KVD 11/LBL 12 - Cable connector



1000041

<https://www.phoenixcontact.com/us/products/1000041>

Classifications

ECLASS

ECLASS-11.0	27440102
ECLASS-12.0	27440116
ECLASS-13.0	27440116

ETIM

ETIM 8.0	EC002635
----------	----------

UNSPSC

UNSPSC 21.0	39121400
-------------	----------

1000041

<https://www.phoenixcontact.com/us/products/1000041>

Environmental product compliance

REACH SVHC	Lead 7439-92-1
China RoHS	Environmentally Friendly Use Period = 50 years
	For information on hazardous substances, refer to the manufacturer's declaration available under "Downloads"

V-RC/TGUM 11/KVD 11/LBL 12 - Cable connector



1000041

<https://www.phoenixcontact.com/us/products/1000041>

Accessories

PLUSCON-RCS - Pipe spanner

1665062

<https://www.phoenixcontact.com/us/products/1665062>

Pipe spanner



Phoenix Contact 2024 © - all rights reserved

<https://www.phoenixcontact.com>

Phoenix Contact USA
586 Fulling Mill Road
Middletown, PA 17057, United States
(+717) 944-1300
info@phoenixcon.com