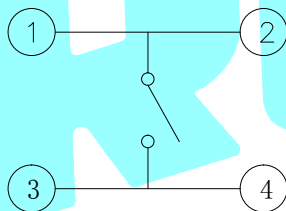
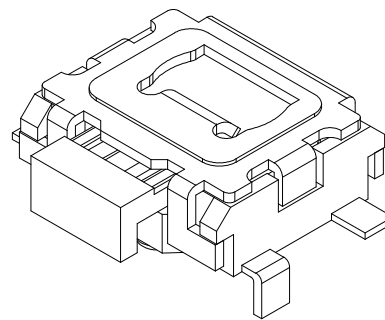
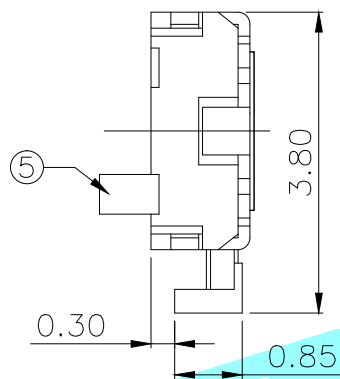
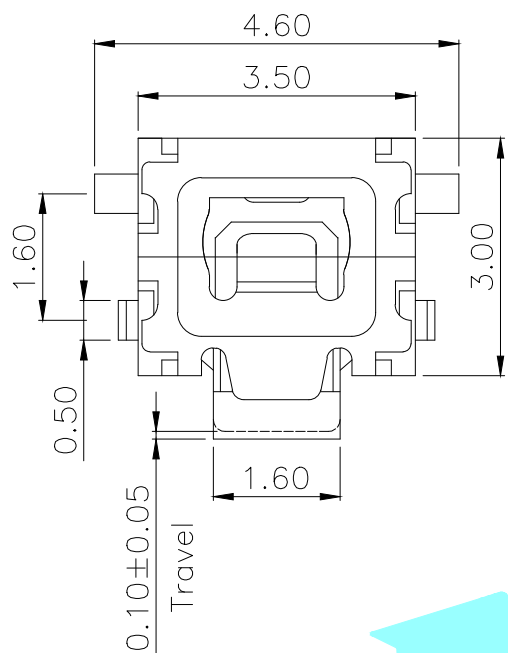
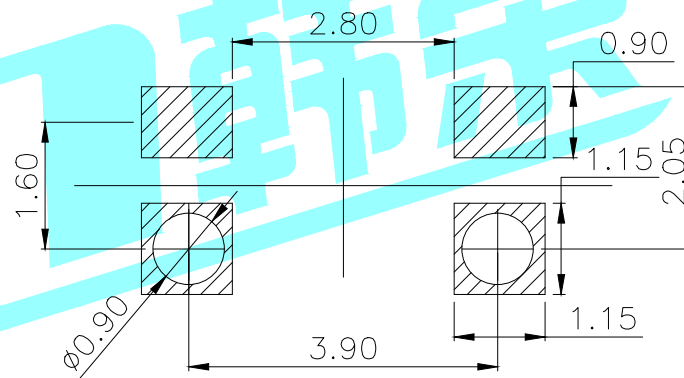


Typical Specifications  
 1.Rating : DC 12V 50mA  
 2.Contact Resistance:  $\leq 100m\Omega$   
 3.Travel:  $0.25\pm 0.05mm$   
 4.Life : 50,000 Cycles



Circuit Diagram

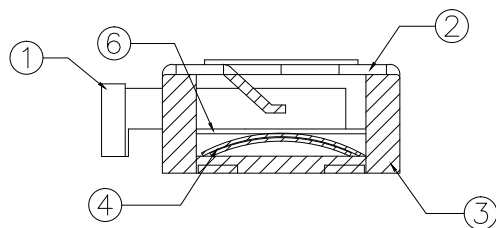
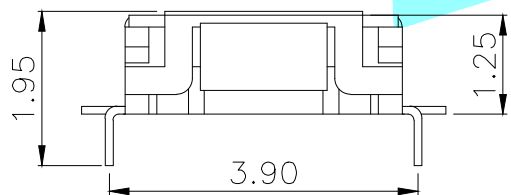


PCB Layout(Pattern side)

NO.1	
PART NO	vigor
3	180±30
4	250±30

NO.2	
PART NO	MATERIAL/QTY
S	SUS/1PC

NO.3-NO.4	
PART NO	NOTE
01~99	SERIAL NUMBER



ITEM	PART NAME	TER'NO.	QTY.	MATERIAL	FINISHING	REMARK
⑥	Dust cover	—	2	Kapton film	Yellow	—
⑤	Terminal	—	4	Phosphor Bronze	Plating silver	—
④	Contact	—	1	SUS	Plating silver	—
③	Base	—	1	LCP	White	—
②	Cover	—	1	Brass	Plating silver	—
①	Knob	—	1	PA46	Black	—

APPROVALS		DATE		 ELECTRONICS CO.,LTD		
DRAWN	J.X.Zhang	2018/8/1				
CHECKED				PART NO.	K2-1821DQ-A□□□-□□	
APPROVALS				UNIT: mm	SCALE: 1:1	PROJ:
TOLERANCES ARE			30~以上	±0.30	ANGLE	DRAWING NO.
			10~30	±0.20		
			5~10	±0.15		
			~ 5	±0.10		
			±2'	SHEET 1 OF 1		

ECN NO.	REV.	DATE.	DESCRIPTION.	CHANGE.	CHECK.	APPRO.
—	A	—	NEW	—	—	—