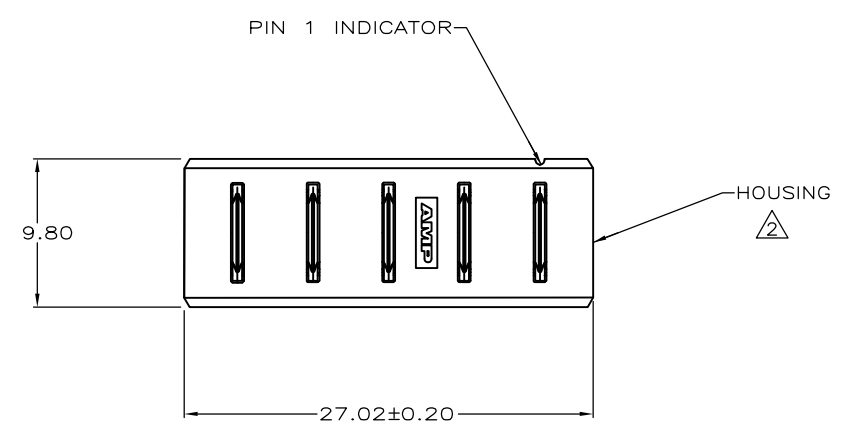
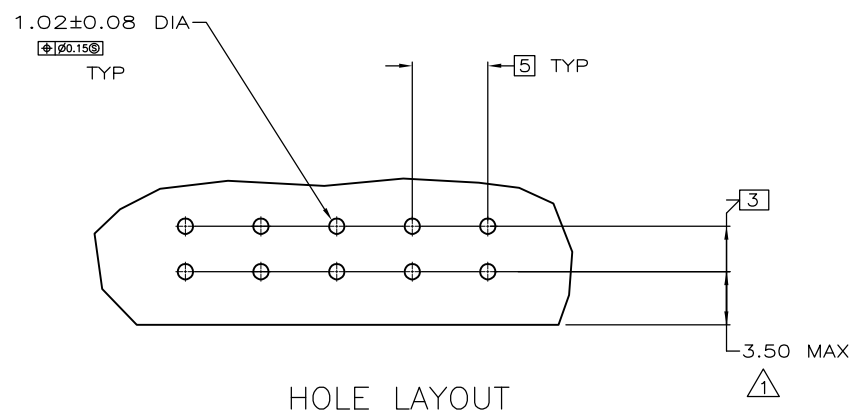
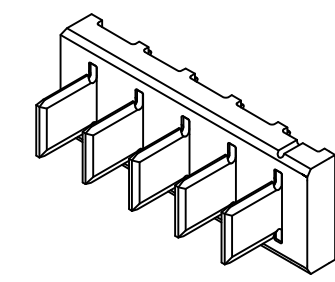
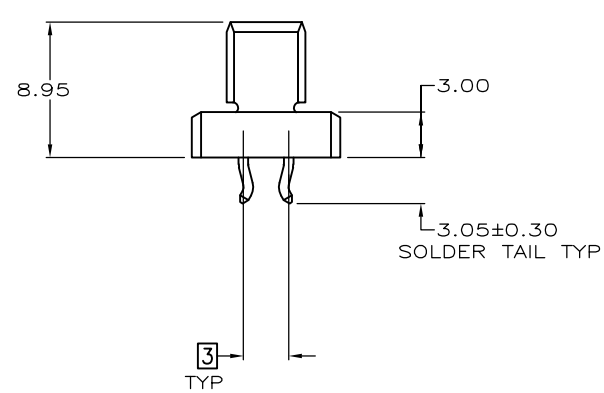
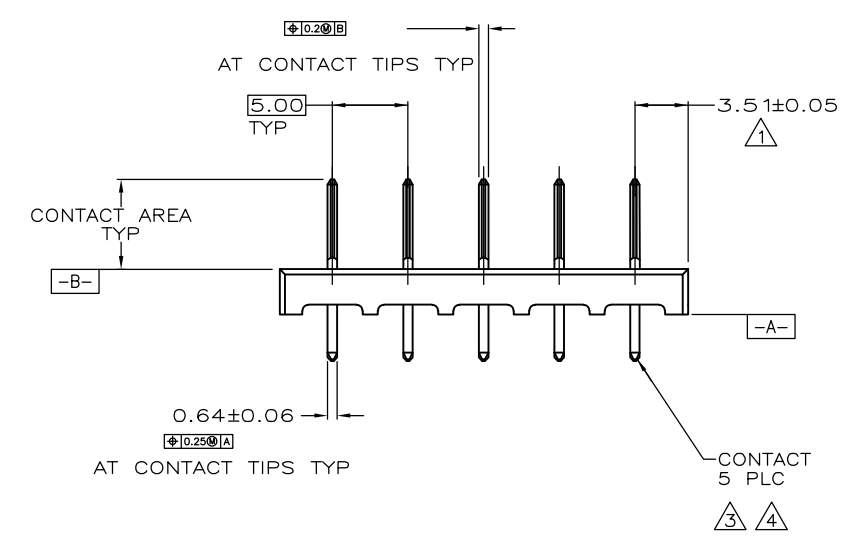


THIS DRAWING IS UNPUBLISHED. RELEASED FOR PUBLICATION  
 © COPYRIGHT - By - ALL RIGHTS RESERVED.

LOC	DIST	REVISIONS					
ES	00	P	LTR	DESCRIPTION	DATE	DWN	APVD
			A1	REVISED PER ECO-11-005033	28MAR11	RK	HMR



- ① COORDINATE DIMENSION APPLIES FROM CENTER OF ACTUAL FEATURE.
- ② HOUSING: POLYPHTHALAMIDE, COLOR BLACK.
- ③ 2.54um MIN TIN ON SOLDER TAIL OVER 1.90um MIN NICKEL ALL OVER.
- ④ CONTACTS: BRASS



5787446-1  
PART NO

THIS DRAWING IS A CONTROLLED DOCUMENT.		DWN S.KLINE 03-29-95	TE Connectivity	
DIMENSIONS: mm		CHK S.KLINE 03-30-95		
TOLERANCES UNLESS OTHERWISE SPECIFIED:		APVD S.KLINE 03-30-95	NAME	
0 PLC ± - 1 PLC ± - 2 PLC ± 0.13 3 PLC ± - 4 PLC ± - ANGLES ± -		PRODUCT SPEC 108-1501	HEADER ASSEMBLY, VERTICAL, KEYLESS, 5mm C, 5 POSN, RETENTIVE SOLDER TAILS, BATTERY INTERCONNECT	
MATERIAL ② ④		APPLICATION SPEC 114-24005	SIZE	RESTRICTED TO
FINISH ③		WEIGHT -	CAGE CODE A300779	DRAWING NO C-5787446
CUSTOMER DRAWING			SCALE 2:1	SHEET 1 OF 1
			REV A1	