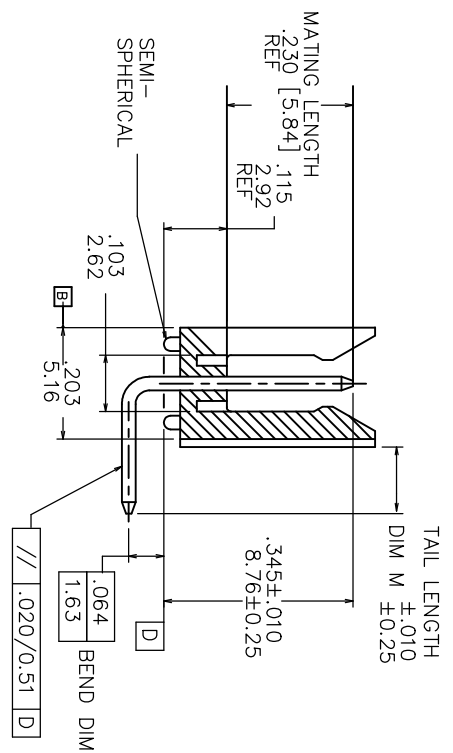
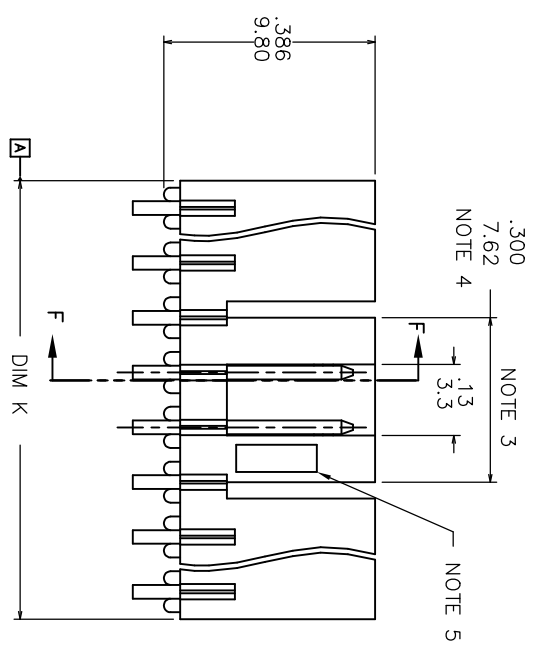
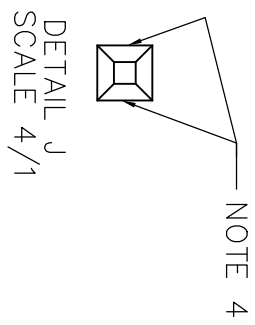
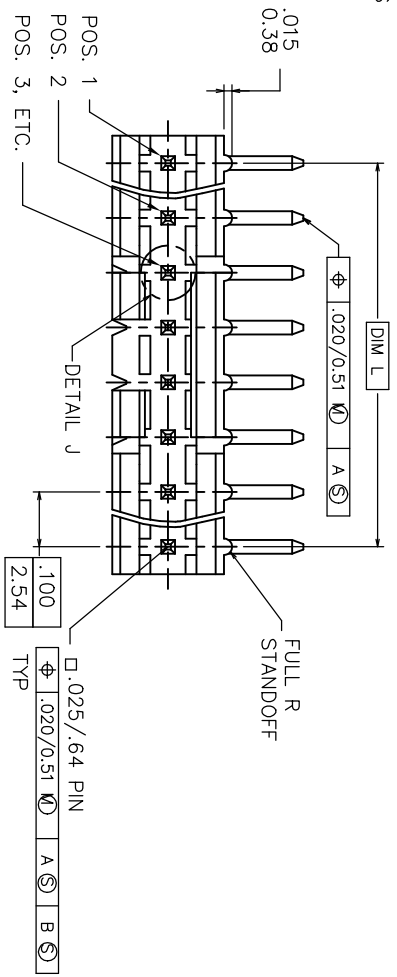


PRODUCT NO.

78208-XYHLF

LEAD FREE OPTION  
 NOTE 6, 7 & 8  
 NO. OF POSITIONS  
 SEE TABLE  
 PIN PLATING  
 BASE P/N



Form: A3-2016-02-24

1

2

PDS: Rev: N

STATUS: Released Printed: 4/11/2020

5

6



© 2016 AFCI

Mat'l. code		surface		tolerance		projection		product family	
NOTES 1 & 2		ISO 1302		ASME Y14.5		ASME Y14.5		FRICION LATCH HEADER	
tr	ecm no	dir	date	tolerances unless otherwise specified		inchr/mm		title	
L	EX-4-1516	JZ	05/31/12	angles	XXX/XXX/XXX	Scale 1:1		SINGLE ROW R/A	
M	EX-4-2163	NZ	07/22/15	linear	XXX/XXX/XXX			dwg no	
N	EX-4-3722	NZ	05/29/20	0±2°	XXX/XXX/XXX			78208	
		dr	S. ROYER	11/14/94				sheet 1 of 2	
		enr	L.FYE	11/14/94				size	
		chr	L.FYE	11/14/94				A3	
		pppd	L.FYE	11/14/94				type	
		index						Product Customer Drawing	
		sheet	1						
		sheet	2						
		sheet	3						

PRODUCT NO.	NO. OF POS.	DIM K	DIM L	TAIL LENGTH DIM M
78208-X03	1 X 3	.300/.7.62	.200/5.08	.120/3.05
-X04	1 X 4	.400/10.16	.300/7.62	
-X05	1 X 5	.500/12.70	.400/10.16	
-X06	1 X 6	.600/15.24	.500/12.70	
-X07	1 X 7	.700/17.78	.600/15.24	
-X08	1 X 8	.800/20.32	.700/17.78	
-X09	1 X 9	.900/22.86	.800/20.32	
-X10	1 X 10	1.000/25.40	.900/22.86	
-X11	1 X 11	1.100/27.94	1.000/25.40	
-X12	1 X 12	1.200/30.48	1.100/27.94	
-X13	1 X 13	1.300/33.02	1.200/30.48	
-X14	1 X 14	1.400/35.56	1.300/33.02	
78208-X15	1 X 15	1.500/38.10	1.400/35.56	.120/3.05
78208-X43	1 X 3	.300/7.62	.200/5.08	.190/4.83

PIN PLATING CODES

-1YY	30u"/.76u (SEE NOTE 9) 50u"/1.27u NI
-2YY	15u"/.38u (SEE NOTE 9) 50u"/1.27u NI
-3YY	50u"/1.27u (SEE NOTE 9) 50u"/1.27u NI
-4YY	100u"/2.54u MIN Sn 50u"/1.27u NI (SEE NOTE 10)
-4YYHLF	
-5YY	15u"/.38u (SEE NOTE 9) 50u"/1.27u NI
-6YY	30u"/.76u (SEE NOTE 9) 50u"/1.27u NI
-7YY	30u"/.76u (SEE NOTE 9) OVER 50u"/1.27u NI
-8YY	15u"/.38u (SEE NOTE 9) OVER 50u"/1.27u NI

- ⑧ THIS PRODUCT MEETS EUROPEAN UNION DIRECTIVES AND OTHER COUNTRY REGULATION AS DESCRIBED IN GS-22-008.
- ⑨ PLATING OPTIONS:  
PERFORMANCE PLATING WILL BE EITHER GOLD OR GXT ON CONTACT OR TAIL, OPTIONALLY (78~295u) (~2~7.5u) TIN ON TAIL.
- ⑩ "THIS PRODUCT HAS 100% TIN PLATING IN THE INTERFACE AND HAS NOT BEEN TESTED FOR WHISKER GROWTH IN ALL INTERCONNECT ENVIRONMENTS."

NOTES:  
1. MOLDING MATL: GLASS REINFORCED HTN OR MINRAL FILLED LCP, COLOR: BLACK  
FLAME RETARDANT PER UL-94V-0  
MAXIMUM OPERATING TEMPERATURE 130° C.

2. PIN MATERIAL: 3/4 HD PHOS. BRZ.
- ③ NO SLOTS ON 1 X 5 POSITION OR SMALLER PRODUCT. THE CENTER KEY SLOT WILL BE ON ALL HEADERS REGARDLESS OF SIZE.
- ④ TWO NON-CRITICAL SIDES OF PIN TIP NOT PLATED, BOTH ENDS.
- ⑤ COMPANY LOGO MAY APPEAR IN THIS AREA.

- ⑥ ADD "HLF" SUFFIX AT THE END OF PART NUMBER FOR LEAD FREE OPTION, NOT AVAILABLE FOR -5YY, -5YYH, -6YY & -6YYH.

- ⑦ PART NUMBERS WITH "H" SUFFIX WILL WITHSTAND EXPOSURE TO 260°C PEAK TEMPERATURE FOR 20 SECONDS IN WAVE SOLDER, INFRA-RED OR VAPOR PHASE SOLDER PROCESS.  
PART NUMBERS WITHOUT "H" SUFFIX WILL WITHSTAND EXPOSURE TO 260°C PEAK TEMPERATURE FOR WAVE SOLDER PROCESS.

Mat'l. code	surface	tolerance	projection	product family
NDTES 1 & 2	ISO 1302	±0.05		
tr	ecrn no	dir	date	
N	tolerances unless otherwise specified	angles	linear	mm/1000
		0±2°	mm/1000	mm/1000
	dr	S. ROVER	11/14/94	
	engr	LFYE	11/14/94	
	chr	LFYE	11/14/94	
	pppd	LFYE	11/14/94	
sheet	revision			
index	sheet			

FRICION LATCH HEADER  
SINGLE ROW R/A



78208

A3

PRODUCT NO.	NO. OF POS.	DIM K	DIM L	TAIL LENGTH DIM M	POLARIZATION PIN POSITION
78208-X77	1 X 10	1.000/25.40	.900/22.86	.120/3.05	2/3/5/6/8/9
78208-X78	1 X 4	1.000/25.40	.900/22.86	.120/3.05	2/3

form: A3-2016-02-24

1

2

PDS: Rev: N

STATUS: Released

Printed: 4/11/2020

5

6

Mat'l. code	surface	tolerance	projection	product family
NDTES 1 & 2	ISO 1302	ISO 1101		FRICION LATCH HEADER
tr	tolerances unless otherwise specified	3X/4/5/6/7/8/9/10/11/12/13/14/15/16/17/18/19/20/21/22/23/24/25/26/27/28/29/30/31/32/33/34/35/36/37/38/39/40/41/42/43/44/45/46/47/48/49/50/51/52/53/54/55/56/57/58/59/60/61/62/63/64/65/66/67/68/69/70/71/72/73/74/75/76/77/78/79/80/81/82/83/84/85/86/87/88/89/90/91/92/93/94/95/96/97/98/99/100	inch/mm	SINGLE ROW R/A
N	angles	3X/4/5/6/7/8/9/10/11/12/13/14/15/16/17/18/19/20/21/22/23/24/25/26/27/28/29/30/31/32/33/34/35/36/37/38/39/40/41/42/43/44/45/46/47/48/49/50/51/52/53/54/55/56/57/58/59/60/61/62/63/64/65/66/67/68/69/70/71/72/73/74/75/76/77/78/79/80/81/82/83/84/85/86/87/88/89/90/91/92/93/94/95/96/97/98/99/100	Scale 1:1	dwg no 78208
ecm no	0±2°	3X/4/5/6/7/8/9/10/11/12/13/14/15/16/17/18/19/20/21/22/23/24/25/26/27/28/29/30/31/32/33/34/35/36/37/38/39/40/41/42/43/44/45/46/47/48/49/50/51/52/53/54/55/56/57/58/59/60/61/62/63/64/65/66/67/68/69/70/71/72/73/74/75/76/77/78/79/80/81/82/83/84/85/86/87/88/89/90/91/92/93/94/95/96/97/98/99/100		sheet 3 of 3
dir	S. ROYER	11/14/94		size A3
engr	L.FYE	11/14/94		
chr	L.FYE	11/14/94		
pppd	L.FYE	11/14/94		
sheet revision				
index sheet				