

Printed Circuit Mount

IF Series

International Flathead™
Low Profile Transformers

For Critical Height and International Safety Requirements

Signal's IF transformers utilize unique insulating techniques including full encapsulation to meet international safety requirements. These transformers are ideal for low power applications where minimum height and reduced magnetic radiation are required.



General Specifications

- Power - 2 VA to 30 VA
- Dielectric Strength - 4000 Vrms Hipot
- Dual Primaries - 115/230 V, 50/60 Hz
- Dual Secondaries - Series or parallel
- Height - 0.69" to 1.39" (17.5 mm to 35.3 mm) height
- Insulation System - Class B, 130° C

Agency Certifications

- UL 1446 (E66312)
- UL recognized to UL 506 / UL 5085-2, File # E63829
- CSA certified to C22.2 #66.1, File # 221070

Part Number Selection

Part Number	VA	Secondary RMS Rating	
	Size	Series	Parallel
IF-2-10	2	10 VCT @ 200 mA	5 V @ 400 mA
IF-2-12	2	12 VCT @ 170 mA	6 V @ 340 mA
IF-2-16	2	16 VCT @ 125 mA	8 V @ 250 mA
IF-2-20	2	20 VCT @ 100 mA	10 V @ 200 mA
IF-2-24	2	24 VCT @ 85 mA	12 V @ 170 mA
IF-2-30	2	30 VCT @ 70 mA	15 V @ 140 mA
IF-2-34	2	34 VCT @ 60 mA	17 V @ 120 mA
IF-2-40	2	40 VCT @ 50 mA	20 V @ 100 mA
IF-2-56	2	56 VCT @ 40 mA	28 V @ 80 mA
IF-2-230	2	230 VCT @ 9 mA	115 V @ 18 mA
IF-4-10	4	10 VCT @ 400 mA	5 V @ 800 mA
IF-4-12	4	12 VCT @ 335 mA	6 V @ 670 mA
IF-4-16	4	16 VCT @ 250 mA	8 V @ 500 mA
IF-4-20	4	20 VCT @ 200 mA	10 V @ 400 mA
IF-4-24	4	24 VCT @ 170 mA	12 V @ 340 mA
IF-4-30	4	30 VCT @ 135 mA	15 V @ 270 mA
IF-4-34	4	34 VCT @ 120 mA	17 V @ 240 mA
IF-4-40	4	40 VCT @ 100 mA	20 V @ 200 mA
IF-4-56	4	56 VCT @ 70 mA	28 V @ 140 mA
IF-4-230	4	230 VCT @ 18 mA	115 V @ 36 mA
IF-6-10	6	10 VCT @ 600 mA	5 V @ 1.20 A
IF-6-12	6	12 VCT @ 500 mA	6 V @ 1.00 A
IF-6-16	6	16 VCT @ 375 mA	8 V @ 750 mA
IF-6-20	6	20 VCT @ 300 mA	10 V @ 600 mA
IF-6-24	6	24 VCT @ 250 mA	12 V @ 500 mA
IF-6-30	6	30 VCT @ 200 mA	15 V @ 400 mA
IF-6-34	6	34 VCT @ 180 mA	17 V @ 360 mA
IF-6-40	6	40 VCT @ 150 mA	20 V @ 300 mA
IF-6-56	6	56 VCT @ 110 mA	28 V @ 220 mA
IF-6-230	6	230 VCT @ 25 mA	115 V @ 50 mA

Part Number	VA	Secondary RMS Rating	
	Size	Series	Parallel
IF-10-10	10	10 VCT @ 1.00 A	5 V @ 2.00 A
IF-10-12	10	12 VCT @ 835 mA	6 V @ 1.67 A
IF-10-16	10	16 VCT @ 625 mA	8 V @ 1.25 A
IF-10-20	10	20 VCT @ 500 mA	10 V @ 1.00 A
IF-10-24	10	24 VCT @ 420 mA	12 V @ 840 mA
IF-10-30	10	30 VCT @ 335 mA	15 V @ 670 mA
IF-10-34	10	34 VCT @ 300 mA	17 V @ 600 mA
IF-10-40	10	40 VCT @ 250 mA	20 V @ 500 mA
IF-10-56	10	56 VCT @ 180 mA	28 V @ 360 mA
IF-10-230	10	230 VCT @ 45 mA	115 V @ 90 mA
IF-14-10	14	10 VCT @ 1.40 A	5 V @ 2.80 A
IF-14-12	14	12 VCT @ 1.20 A	6 V @ 2.40 A
IF-14-16	14	16 VCT @ 875 mA	8 V @ 1.75 A
IF-14-20	14	20 VCT @ 700 mA	10 V @ 1.40 A
IF-14-24	14	24 VCT @ 600 mA	12 V @ 1.20 A
IF-14-30	14	30 VCT @ 470 mA	15 V @ 940 mA
IF-14-34	14	34 VCT @ 415 mA	17 V @ 830 mA
IF-14-40	14	40 VCT @ 350 mA	20 V @ 700 mA
IF-14-56	14	56 VCT @ 250 mA	28 V @ 500 mA
IF-14-230	14	230 VCT @ 60 mA	115 V @ 120 mA
IF-18-10	18	10 VCT @ 1.80 A	5 V @ 3.6 A
IF-18-12	18	12 VCT @ 1.50 A	6 V @ 3.00 A
IF-18-16	18	16 VCT @ 1.15 A	8 V @ 2.30 A
IF-18-20	18	20 VCT @ 900 mA	10 V @ 1.80 A
IF-18-24	18	24 VCT @ 750 mA	12 V @ 1.50 A
IF-18-30	18	30 VCT @ 600 mA	15 V @ 1.20 A
IF-18-34	18	34 VCT @ 530 mA	17 V @ 1.06 A
IF-18-40	18	40 VCT @ 450 mA	20 V @ 900 mA
IF-18-56	18	56 VCT @ 320 mA	28 V @ 640 mA
IF-18-230	18	230 VCT @ 80 mA	115 V @ 160 mA

Part Number	VA	Secondary RMS Rating	
	Size	Series	Parallel
IF-24-10	24	10 VCT @ 2.40 A	5 V @ 4.80 A
IF-24-12	24	12 VCT @ 2.00 A	6 V @ 4.00 A
IF-24-16	24	16 VCT @ 1.50 A	8 V @ 3.00 A
IF-24-20	24	20 VCT @ 1.20 A	10 V @ 2.40 A
IF-24-24	24	24 VCT @ 1.00 A	12 V @ 2.00 A
IF-24-30	24	30 VCT @ 800 mA	15 V @ 1.60 A
IF-24-34	24	34 VCT @ 700 mA	17 V @ 1.40 A
IF-24-40	24	40 VCT @ 600 mA	20 V @ 1.20 A
IF-24-56	24	56 VCT @ 430 mA	28 V @ 860 mA
IF-24-230	24	230 VCT @ 105 mA	115 V @ 210 mA
IF-30-10	30	10 VCT @ 3.00 A	5 V @ 6.00 A
IF-30-12	30	12 VCT @ 2.50 A	6 V @ 5.00 A
IF-30-16	30	16 VCT @ 1.90 A	8 V @ 3.80 A
IF-30-20	30	20 VCT @ 1.50 A	10 V @ 3.00 A
IF-30-24	30	24 VCT @ 1.25 A	12 V @ 2.50 A
IF-30-30	30	30 VCT @ 1.00 A	15 V @ 2.00 A
IF-30-34	30	34 VCT @ 900 mA	17 V @ 1.80 A
IF-30-40	30	40 VCT @ 750 mA	20 V @ 1.50 A
IF-30-56	30	56 VCT @ 550 mA	28 V @ 1.10 A
IF-30-230	30	230 VCT @ 130 mA	115 V @ 260 mA



Custom versions available upon request.

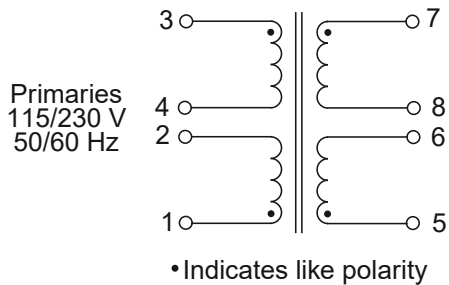
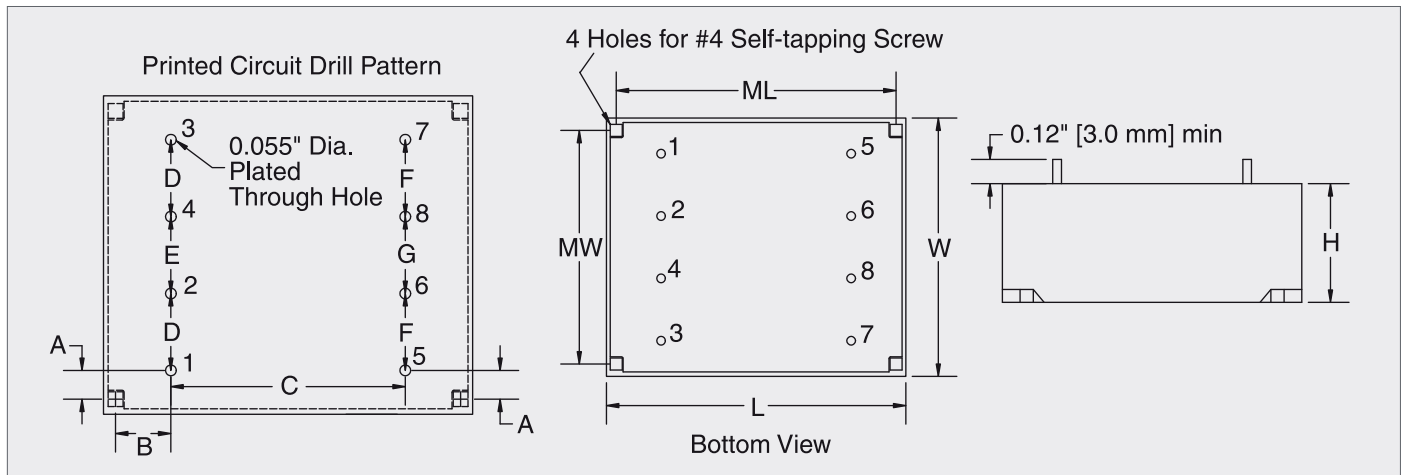


128 Atlantic Avenue, Lynbrook, NY 11563
 Toll Free 866-239-5777 | Tel 516-239-5777 | Fax 516-239-7208
 sales@signaltransformer.com | techhelp@signaltransformer.com

belfuse.com/signal

Mechanical Specifications

VA	L	W	H	ML	MW	A	B	C	D	E	F	G	Weight
Size	Inches (mm)												oz (kg)
2	2.09 (53.0)	1.73 (44.0)	0.69 (17.6)	1.87 (47.5)	1.48 (37.5)	0.05 (1.3)	0.25 (6.3)	1.38 (35.0)	0.39 (10.0)	0.39 (10.0)	0.59 (15.0)	0.19 (5.0)	4.6 (0.13)
4	2.09 (53.0)	1.73 (44.0)	0.77 (19.6)	1.87 (47.5)	1.48 (37.5)	0.05 (1.3)	0.25 (6.3)	1.38 (35.0)	0.39 (10.0)	0.39 (10.0)	0.59 (15.0)	0.19 (5.0)	5.4 (0.15)
6	2.09 (53.0)	1.73 (44.0)	0.89 (22.6)	1.87 (47.5)	1.48 (37.5)	0.05 (1.3)	0.25 (6.3)	1.38 (35.0)	0.39 (10.0)	0.39 (10.0)	0.59 (15.0)	0.19 (5.0)	6.9 (0.20)
10	2.66 (67.6)	2.24 (57.0)	0.89 (22.6)	2.46 (62.5)	1.97 (50.0)	0.28 (7.1)	0.34 (8.8)	1.77 (45.0)	0.59 (15.0)	0.43 (10.9)	0.39 (10.0)	0.63 (15.9)	10.3 (0.29)
14	2.66 (67.6)	2.24 (57.0)	0.96 (24.3)	2.46 (62.5)	1.97 (50.0)	0.28 (7.1)	0.34 (8.8)	1.77 (45.0)	0.59 (15.0)	0.43 (10.9)	0.39 (10.0)	0.63 (15.9)	11.9 (0.34)
18	2.66 (67.6)	2.24 (57.0)	1.09 (27.6)	2.46 (62.5)	1.97 (50.0)	0.28 (7.1)	0.34 (8.8)	1.77 (45.0)	0.59 (15.0)	0.43 (10.9)	0.39 (10.0)	0.63 (15.9)	14.1 (0.40)
24	2.68 (68.0)	2.26 (57.5)	1.23 (31.3)	2.46 (62.5)	1.97 (50.0)	0.28 (7.1)	0.34 (8.8)	1.77 (45.0)	0.59 (15.0)	0.43 (10.9)	0.39 (10.0)	0.63 (15.9)	16.5 (0.47)
30	2.68 (68.0)	2.26 (57.5)	1.39 (35.3)	2.46 (62.5)	1.97 (50.0)	0.28 (7.1)	0.34 (8.8)	1.77 (45.0)	0.59 (15.0)	0.43 (10.9)	0.39 (10.0)	0.63 (15.9)	19.7 (0.58)



Custom versions available upon request.



128 Atlantic Avenue, Lynbrook, NY 11563
 Toll Free 866-239-5777 | Tel 516-239-5777 | Fax 516-239-7208
 sales@signaltransformer.com | techhelp@signaltransformer.com

belfuse.com/signal

Mouser Electronics

Authorized Distributor

Click to View Pricing, Inventory, Delivery & Lifecycle Information:

[Bel:](#)

[IF-18-34](#) [IF-6-34](#) [IF-4-20](#) [IF-24-34](#) [IF-14-24](#) [IF-10-40](#) [IF-18-230](#) [IF-24-56](#) [IF-24-230](#) [IF-14-12](#) [IF-14-10](#) [IF-14-16](#)
[IF-30-40](#) [IF-30-12](#) [IF-4-34](#) [IF-30-56](#) [IF-6-16](#) [IF-30-24](#) [IF-10-230](#) [IF-2-30](#) [IF-10-24](#) [IF-24-40](#) [IF-24-20](#) [IF-2-56](#) [IF-](#)
[4-230](#) [IF-4-30](#) [IF-24-16](#) [IF-10-56](#) [IF-18-56](#) [IF-2-10](#) [IF-10-16](#) [IF-10-30](#) [IF-10-20](#) [IF-18-10](#) [IF-2-12](#) [IF-14-56](#) [IF-14-](#)
[30](#) [IF-4-40](#) [IF-10-10](#) [IF-14-34](#) [IF-30-16](#) [IF-30-20](#) [IF-30-30](#) [IF-6-24](#) [IF-2-24](#) [IF-30-10](#) [IF-4-56](#) [IF-4-10](#) [IF-2-40](#) [IF-6-](#)
[40](#) [IF-30-34](#) [IF-6-10](#) [IF-6-12](#) [IF-6-20](#) [IF-6-230](#) [IF-6-56](#) [IF-4-24](#) [IF-14-20](#) [IF-18-16](#) [IF-24-10](#) [IF-2-34](#) [IF-24-12](#) [IF-](#)
[10-34](#) [IF-18-12](#) [IF-18-24](#) [IF-2-16](#) [IF-18-40](#) [IF-4-12](#) [IF-2-20](#) [IF-2-230](#) [IF-14-40](#) [IF-18-20](#) [IF-24-24](#) [IF-10-12](#) [IF-24-](#)
[30](#) [IF-30-230](#) [IF-6-30](#) [IF-4-16](#) [IF-14-230](#) [IF-18-30](#)