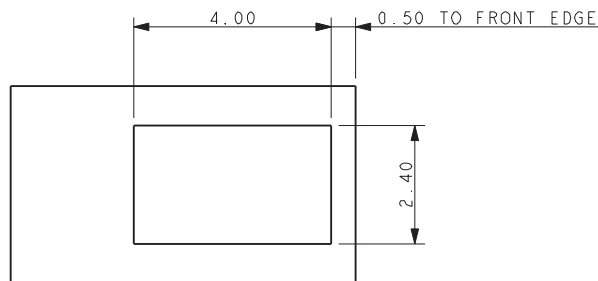
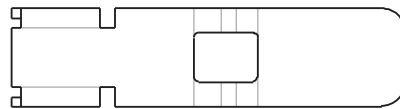
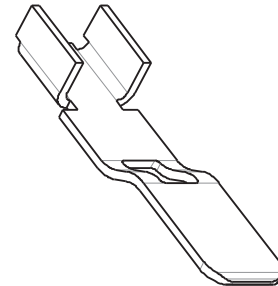
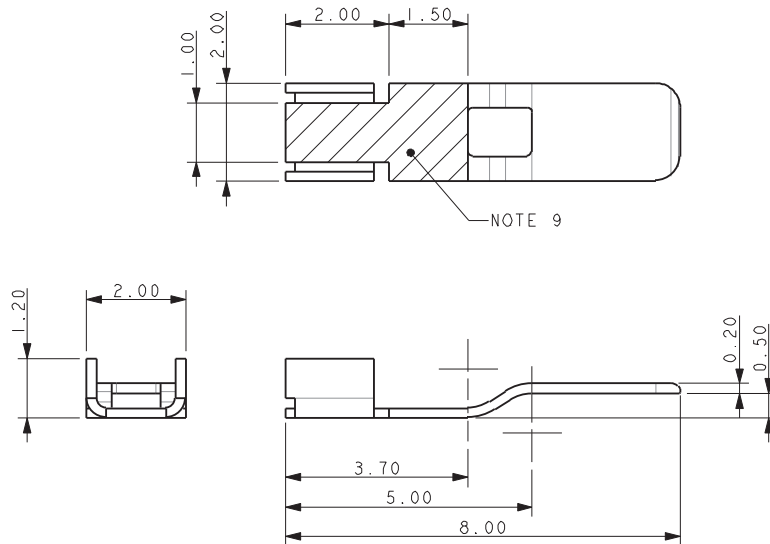


Single 2 Piece Contacts: BTB

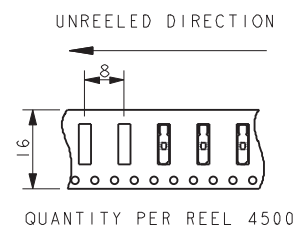
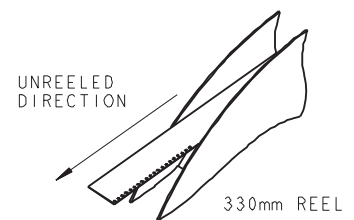
70-9159

70-9159-001-401-006



SUGGESTED PCB LAYOUT

PACKING DETAILS



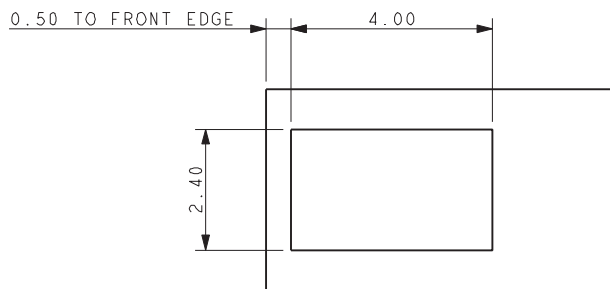
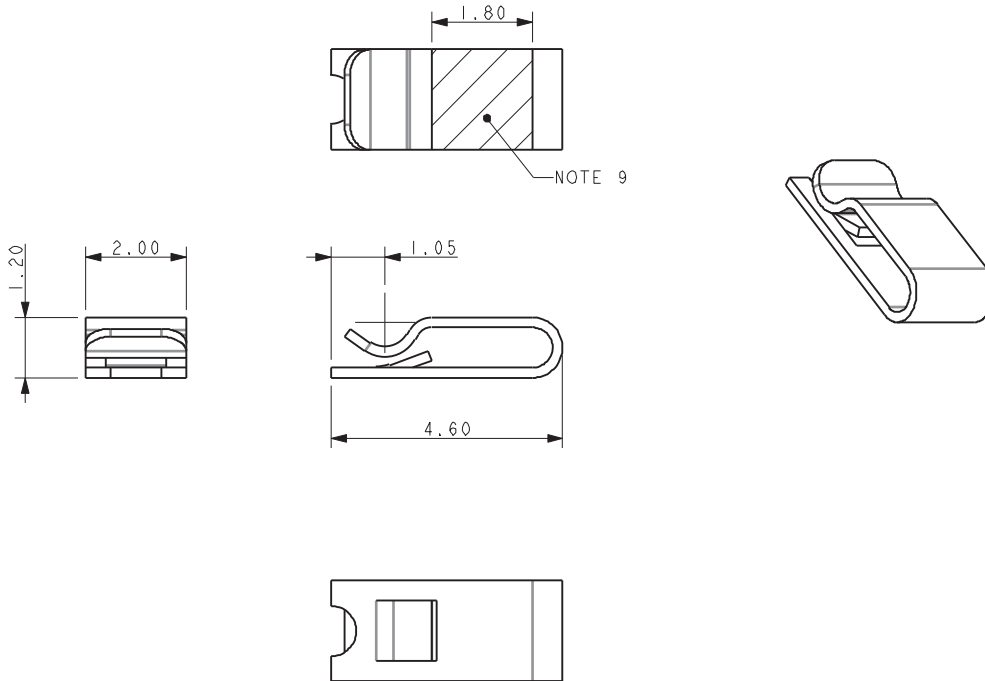
NOTES:

1. 9159 SINGLE CONTACT, SMT MOUNT, PLUG CONTACT.
2. TO MATE WITH 70-9159-001-402-006 SOCKET CONTACT, REFER TO PAGE 67.
3. TYPICAL APPLICATIONS SEE PAGES 69 AND 70.
4. FOR FURTHER INFORMATION REFER TO SPECIFICATION 201-01-148 AND APPLICATION NOTES 201-01-149.
5. COPPER ALLOY, NICKEL UNDERCOAT, GOLD IN CONTACT AREA. TIN ON SOLDER TAIL.
6. GENERAL TOLERANCE ± 0.20 UNLESS SPECIFIED.
7. PACKAGING IN TAPE AND REEL, QUANTITY PER REEL 4500.
8. UL REFERENCE E90723 (US AND CANADA).
9. AREA AVAILABLE FOR PICK AND PLACE.

Single 2 Piece Contacts: BTB

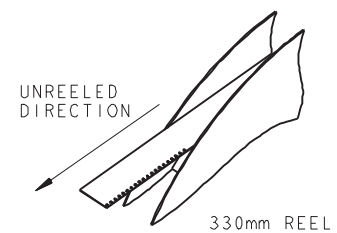
70-9159

70-9159-001-402-006



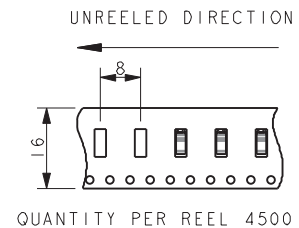
SUGGESTED PCB LAYOUT

PACKING DETAILS



NOTES:

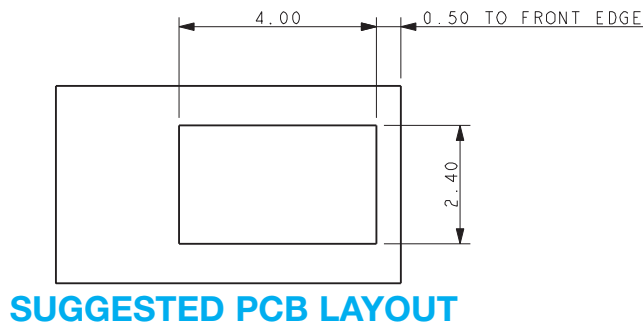
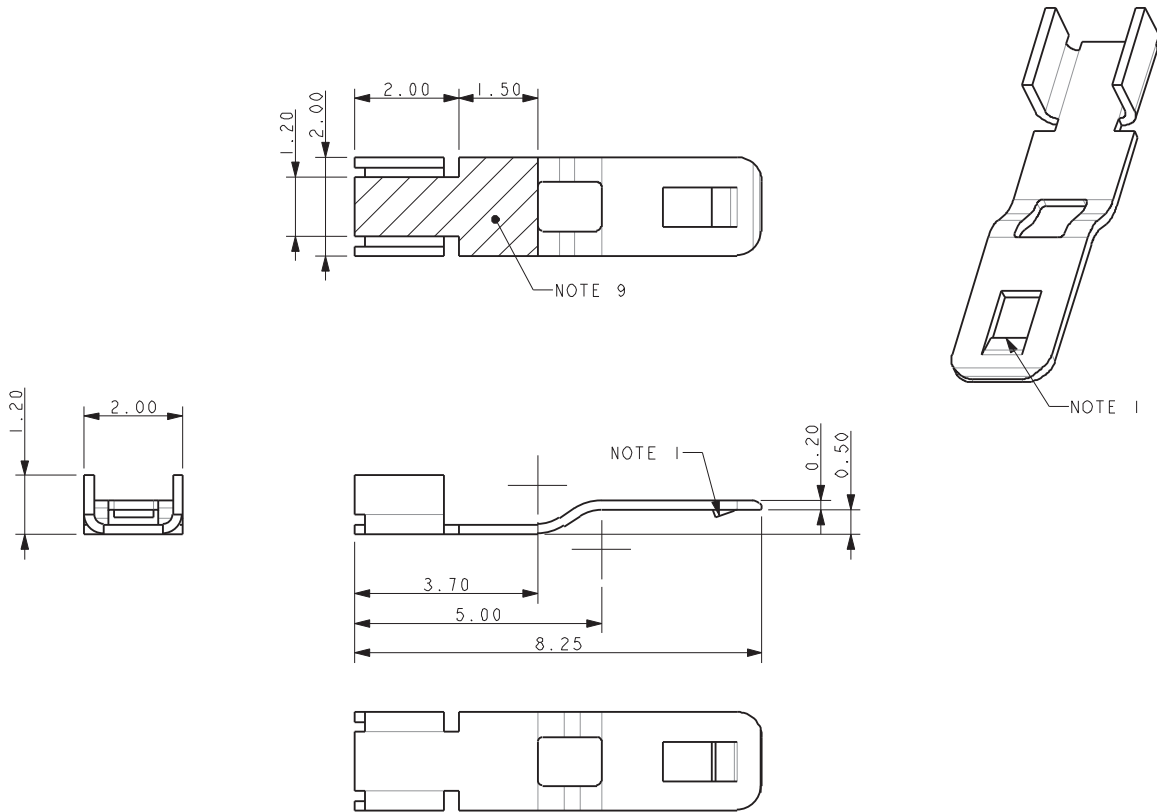
1. 9159 SINGLE CONTACT, SMT MOUNT, SOCKET CONTACT.
2. TO MATE WITH 70-9159-001-401-006 PLUG CONTACT, REFER TO PAGE 66 AND LOCKING PLUG CONTACT 70-9159-001-411-006 PAGE 68.
3. TYPICAL APPLICATIONS SEE PAGES 69 AND 70.
4. FOR FURTHER INFORMATION REFER TO SPECIFICATION 201-01-148 AND APPLICATION NOTES 201-01-149.
5. COPPER ALLOY, NICKEL UNDERCOAT, GOLD PLATED.
6. GENERAL TOLERANCE ± 0.20 UNLESS SPECIFIED.
7. PACKAGING IN TAPE AND REEL, QUANTITY PER REEL 4500.
8. UL REFERENCE E90723 (US AND CANADA).
9. AREA AVAILABLE FOR PICK AND PLACE.



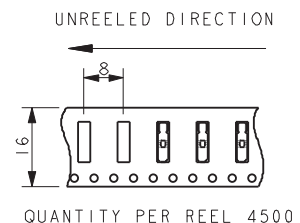
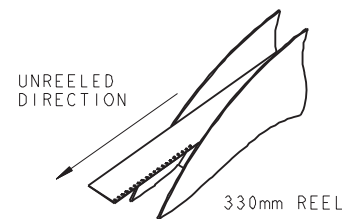
Single 2 Piece Contacts: BTB

70-9159

70-9159-001-411-006 LOCKING PLUG CONTACT



PACKING DETAILS



NOTES:

1. 9159 SINGLE CONTACT, SMT MOUNT, PLUG CONTACT. LOCKING FEATURE WILL ASSIST IN MAINTAINING THE POSITION.
2. TO MATE WITH 70-9159-001-402-006 SOCKET CONTACT, REFER TO PAGE 67.
3. TYPICAL APPLICATIONS SEE PAGES 69 AND 70.
4. FOR FURTHER INFORMATION REFER TO SPECIFICATION 201-01-148 AND APPLICATION NOTES 201-01-149.
5. COPPER ALLOY, NICKEL UNDERCOAT, GOLD IN CONTACT AREA. TIN ON SOLDER TAIL.
6. GENERAL TOLERANCE ± 0.20 UNLESS SPECIFIED.
7. PACKAGING IN TAPE AND REEL, QUANTITY PER REEL 4500.
8. THIS VERSION OF CONTACT IS NOT CURRENTLY UL APPROVED.
9. AREA AVAILABLE FOR PICK AND PLACE.

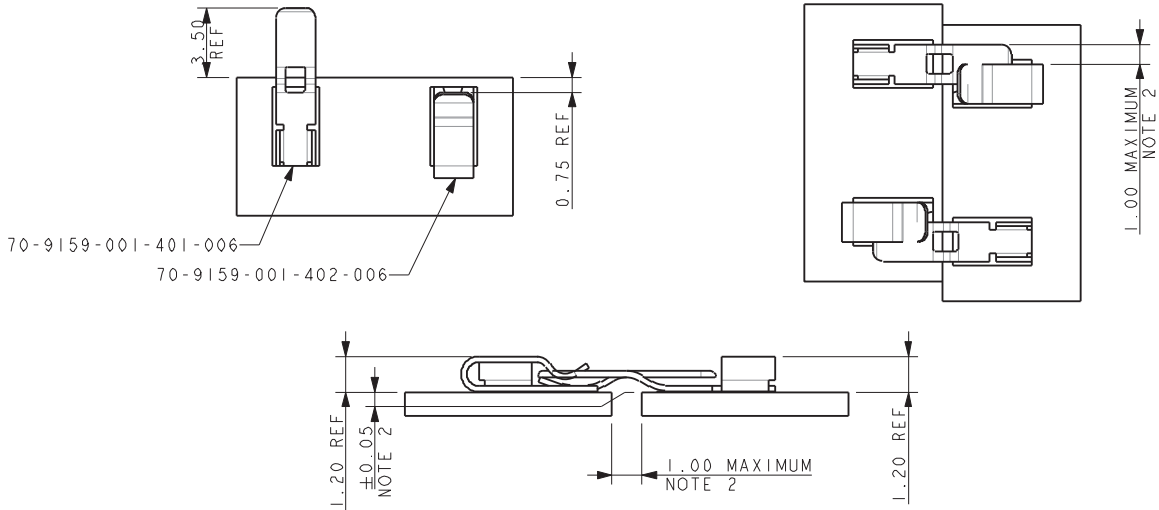
Single 2 Piece Contacts: BTB

70-9159

70-9159-001-4XX-006 – CONTACT SOLDER TOLERANCE

STANDARD CONTACT

70-9159-001-401-006 Plus 70-9159-001-402-006

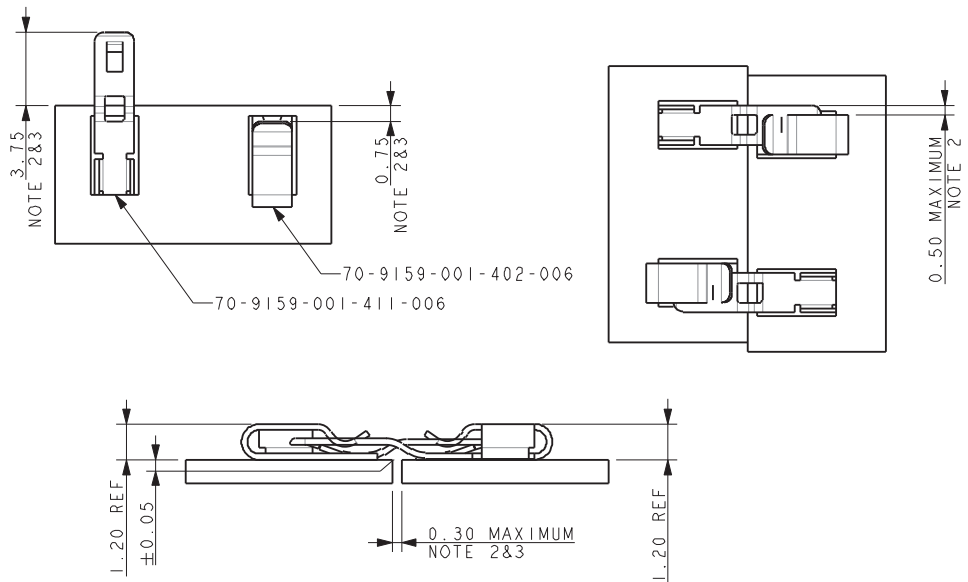


NOTES:

1. SIMPLE BOARD TO BOARD ASSEMBLY.
2. CONTACTS (70-9159-001-401-006) WILL COPE WITH A GAP BETWEEN BOARDS UP TO 1.00MM AND/OR A SIDWAYS MISALIGNMENT OF UP TO 1.00MM WITHOUT LOSS OF PERFORMANCE. VERTICAL MISALIGNMENT MUST HOWEVER BE KEPT TO WITHIN ± 0.05 .

LOCKING CONTACT

70-9159-001-411-006 Plus 70-9159-001-402-006



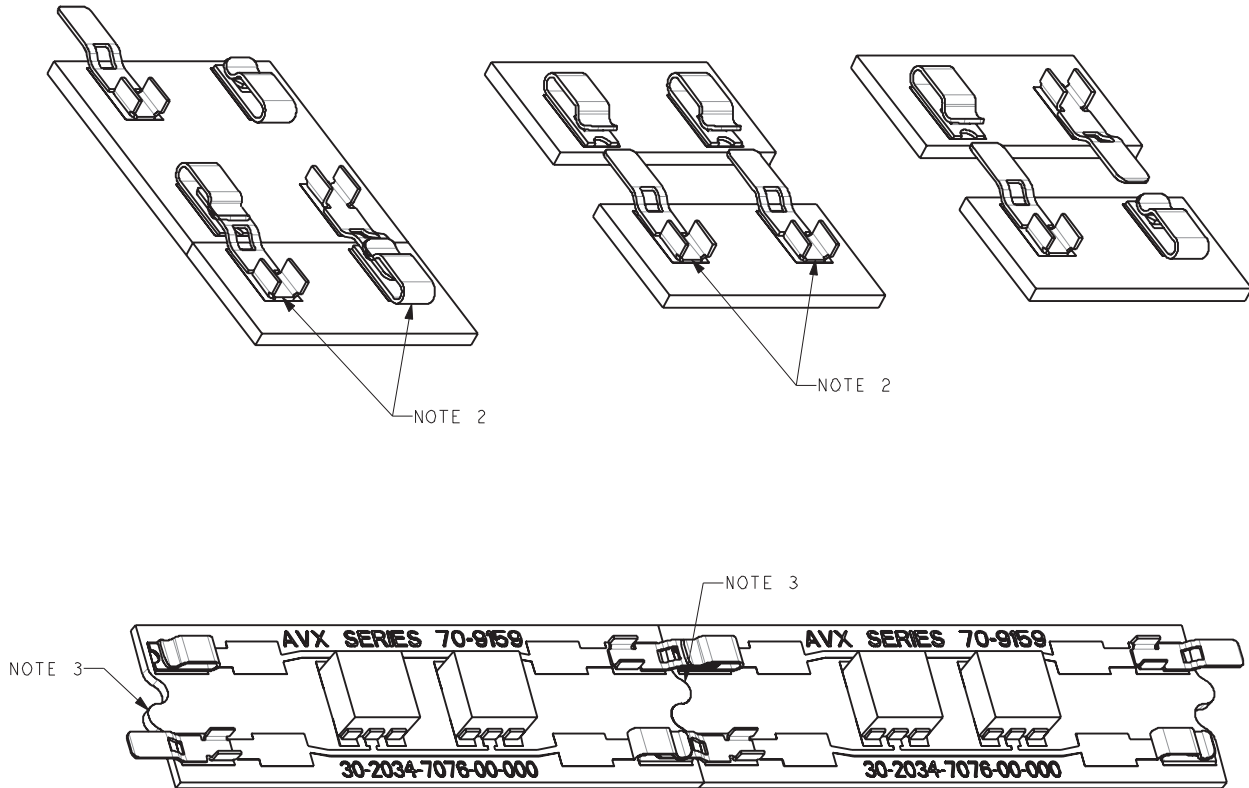
NOTES:

1. LOCKING BOARD TO BOARD ASSEMBLY.
2. CONTACT LOCKING (70-9159-001-411-006) WILL COPE WITH A GAP BETWEEN BOARDS UP TO 0.30MM WITH THE CONTACTS SOLDERED IN POSITIONS SHOWN THE SIDWAYS MISALIGNMENT CAN BE UP TO 0.50MM WITHOUT LOSS OF PERFORMANCE. VERTICAL MISALIGNMENT MUST HOWEVER BE KEPT TO WITHIN ± 0.05 .
3. IF FOR EXAMPLE THE CONTACT PORTIONS ARE CHANGED TO 3.60MM AND 0.90MM RESPECTIVELY.

Single 2 Piece Contacts: BTB

70-9159

70-9159-001-40X-006 BOARD TO BOARD ASSEMBLY



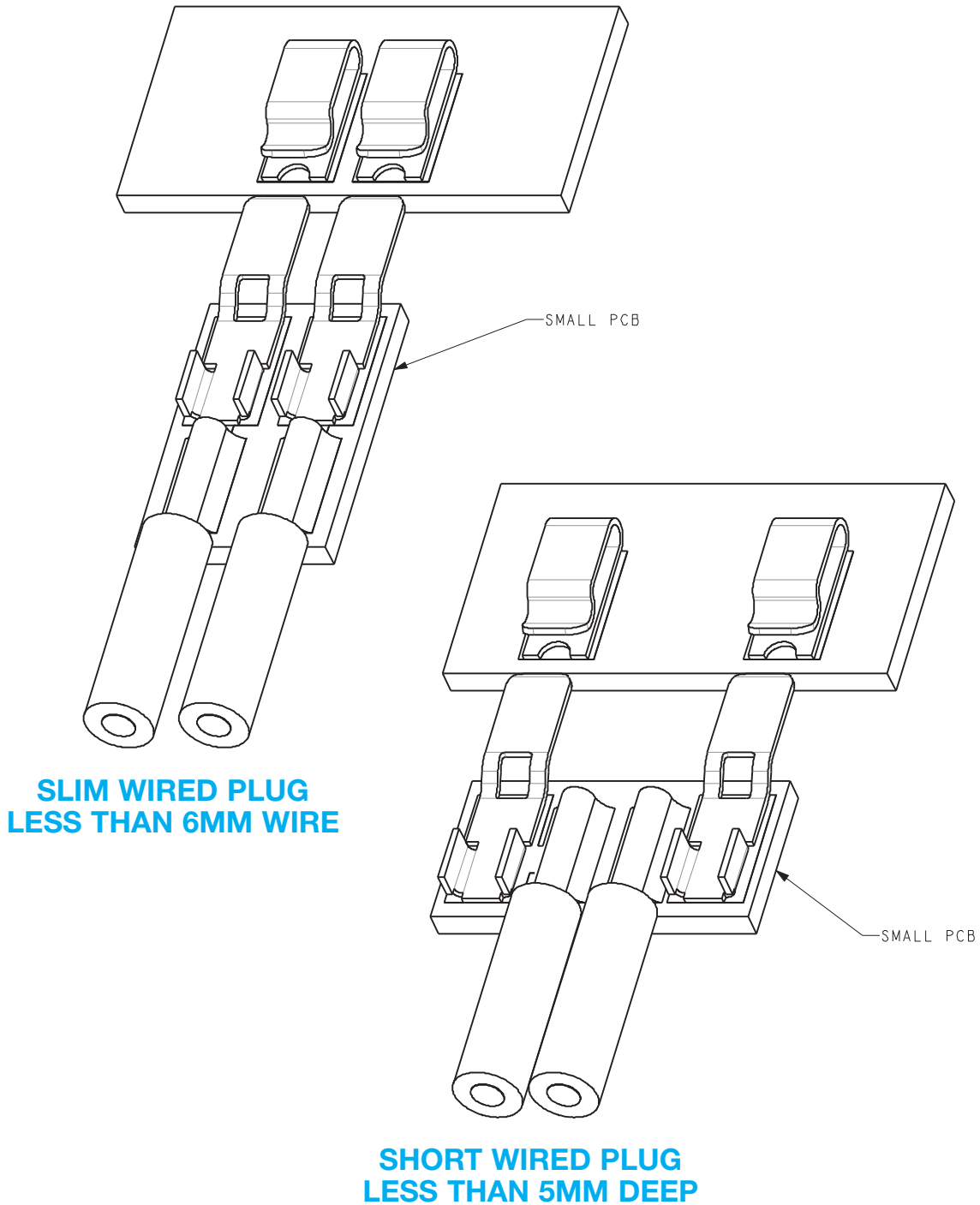
NOTES:

1. SIMPLE BOARD TO BOARD LINK.
2. ALL MATING COMBINATIONS PERMISSIBLE. FOR EXAMPLE BY USING ONE PLUG AND ONE SOCKET CONTACT THE BOARD ENDS ARE REVEALABLE.
3. FEATURES CAN BE ADDED TO BOARD ENDS TO RESIST SIDEWAYS MOVEMENT.

Single 2 Piece Contacts: BTB

70-9159

70-9159-001-40X-006 SIMPLE COMPACT WIRED PLUG ASSEMBLIES



NOTES:

1. SIMPLE BUILT UP ASSEMBLY
2. CONTACTS CAN BE USED WITH A SUITABLE PCB DESIGN FOR CUSTOMER BUILT SMALL CABLE ASSEMBLIES.
3. TWO WAY PLUG CONNECTIONS SHOWN BUT ANY COMBINATION POSSIBLE.

Mouser Electronics

Authorized Distributor

Click to View Pricing, Inventory, Delivery & Lifecycle Information:

[AVX:](#)

[709159001401006](#) [709159001402006](#) [709159001411006](#) [709159001302006](#) [709159001311006](#)