



Low-Cost, High-Speed, Single-Supply Op Amps with Rail-to-Rail Outputs

General Description

The MAX4012 single, MAX4016 dual, MAX4018 triple, and MAX4020 quad op amps are unity-gain-stable devices that combine high-speed performance with Rail-to-Rail outputs. The MAX4018 has a disable feature that reduces power-supply current to 400 μ A and places its outputs into a high-impedance state. These devices operate from a 3.3V to 10V single supply or from ± 1.65 V to ± 5 V dual supplies. The common-mode input voltage range extends beyond the negative power-supply rail (ground in single-supply applications).

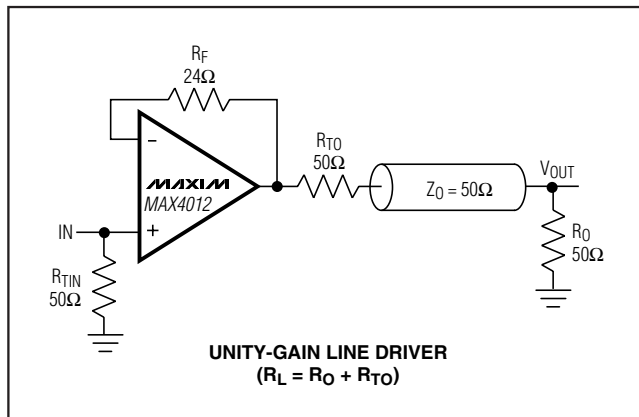
These devices require only 5.5mA of quiescent supply current while achieving a 200MHz -3dB bandwidth and a 600V/ μ s slew rate. These parts are an excellent solution in low-power/low-voltage systems that require wide bandwidth, such as video, communications, and instrumentation. In addition, when disabled, their high-output impedance makes them ideal for multiplexing applications.

The MAX4012 comes in a miniature 5-pin SOT23 and 8-pin SO package, while the MAX4016 comes in 8-pin μ MAX[®] and SO packages. The MAX4018/MAX4020 are available in a space-saving 16-pin QSOP, as well as a 14-pin SO.

Applications

Set-Top Boxes
Surveillance Video Systems
Battery-Powered Instruments
Video Line Driver
Analog-to-Digital Converter Interface
CCD Imaging Systems
Video Routing and Switching Systems

Typical Operating Circuit



μ MAX is a registered trademark of Maxim Integrated Products, Inc.

Features

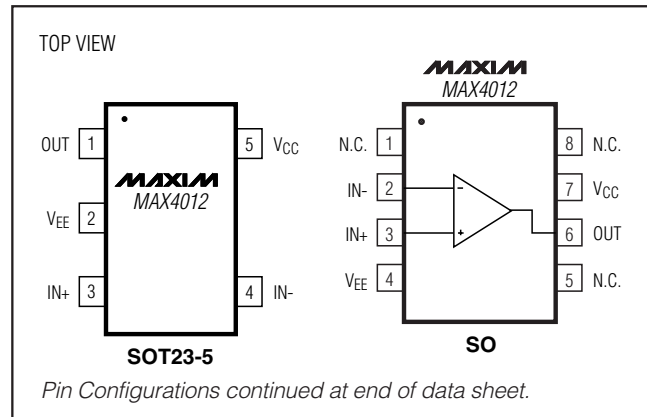
- ◆ **Low-Cost**
- ◆ **High Speed:**
 - 200MHz -3dB Bandwidth (MAX4012)
 - 150MHz -3dB Bandwidth (MAX4016/MAX4018/MAX4020)
 - 30MHz 0.1dB Gain Flatness
 - 600V/ μ s Slew Rate
- ◆ **Single 3.3V/5.0V Operation**
- ◆ **Rail-to-Rail Outputs**
- ◆ **Input Common-Mode Range Extends Beyond V_{EE}**
- ◆ **Low Differential Gain/Phase: 0.02%/0.02°**
- ◆ **Low Distortion at 5MHz:**
 - 78dBc SFDR
 - 75dB Total Harmonic Distortion
- ◆ **High-Output Drive: ± 120 mA**
- ◆ **400 μ A Shutdown Capability (MAX4018)**
- ◆ **High-Output Impedance in Off State (MAX4018)**
- ◆ **Space-Saving SOT23, SO, μ MAX, or QSOP Packages**

Ordering Information

| PART | TEMP RANGE | PIN-PACKAGE | TOP MARK |
|--------------|----------------|-------------|----------|
| MAX4012EUK-T | -40°C to +85°C | 5 SOT23-5 | ABZP |
| MAX4012ESA | -40°C to +85°C | 8 SO | — |
| MAX4016ESA | -40°C to +85°C | 8 SO | — |
| MAX4016EUA | -40°C to +85°C | 8 μ MAX | — |

Ordering Information continued at end of data sheet.

Pin Configurations



MAX4012/MAX4016/MAX4018/MAX4020

Low-Cost, High-Speed, Single-Supply Op Amps with Rail-to-Rail Outputs

ABSOLUTE MAXIMUM RATINGS

| | | | |
|--|--|---|-----------------|
| Supply Voltage (V _{CC} to V _{EE})..... | 12V | 8-Pin μ MAX (derate 4.1mW/°C above +70°C) | 330mW |
| IN ₋ , IN ₊ , OUT ₋ , EN ₋ | (V _{EE} - 0.3V) to (V _{CC} + 0.3V) | 14-Pin SO (derate 8.3mW/°C above +70°C)..... | 667mW |
| Output Short-Circuit Duration to V _{CC} or V _{EE} | Continuous | 16-Pin QSOP (derate 8.3mW/°C above +70°C)..... | 667mW |
| Continuous Power Dissipation (T _A = +70°C) | | Operating Temperature Range | -40°C to +85°C |
| 5-Pin SOT23 (derate 7.1mW/°C above +70°C)..... | 571mW | Storage Temperature Range | -65°C to +150°C |
| 8-Pin SO (derate 5.9mW/°C above +70°C)..... | 471mW | Lead Temperature (soldering, 10s)..... | +300°C |

Stresses beyond those listed under "Absolute Maximum Ratings" may cause permanent damage to the device. These are stress ratings only, and functional operation of the device at these or at any other conditions beyond those indicated in the operational sections of the specifications is not implied. Exposure to absolute maximum rating conditions for extended periods may affect device reliability.

DC ELECTRICAL CHARACTERISTICS

(V_{CC} = 5V, V_{EE} = 0, EN₋ = 5V, R_L = ∞ to V_{CC}/2, V_{OUT} = V_{CC}/2, T_A = T_{MIN} to T_{MAX}, unless otherwise noted. Typical values are at T_A = +25°C.) (Note 1)

| PARAMETER | SYMBOL | CONDITIONS | MIN | TYP | MAX | UNITS |
|--|-------------------|--|---|-----------|------------------------|------------|
| Input Common-Mode Voltage Range | V _{CM} | Guaranteed by CMRR test | V _{EE} - 0.20 | | V _{CC} - 2.25 | V |
| Input Offset Voltage (Note 2) | V _{OS} | | | 4 | 20 | mV |
| Input Offset Voltage Temperature Coefficient | TC _{VOS} | | | 8 | | μ V/°C |
| Input Offset Voltage Matching | | Any channels for MAX4016/MAX4018/MAX4020 | | \pm 1 | | mV |
| Input Bias Current | I _B | (Note 2) | | 5.4 | 20 | μ A |
| Input Offset Current | I _{OS} | (Note 2) | | 0.1 | 20 | μ A |
| Input Resistance | R _{IN} | Differential mode (-1V \leq V _{IN} \leq +1V) | | 70 | | k Ω |
| | | Common mode (-0.2V \leq V _{CM} \leq +2.75V) | | 3 | | M Ω |
| Common-Mode Rejection Ratio | CMRR | (V _{EE} - 0.2V) \leq V _{CM} \leq (V _{CC} - 2.25V) | 70 | 100 | | dB |
| Open-Loop Gain (Note 2) | A _{VOL} | 0.25V \leq V _{OUT} \leq 4.75V, R _L = 2k Ω | | 61 | | dB |
| | | 0.5V \leq V _{OUT} \leq 4.5V, R _L = 150 Ω | 52 | 59 | | |
| | | 1.0V \leq V _{OUT} \leq 4V, R _L = 50 Ω | | 57 | | |
| Output Voltage Swing (Note 2) | V _{OUT} | R _L = 2k Ω | V _{CC} - V _{OH} | 0.06 | | V |
| | | | V _{OL} - V _{EE} | 0.06 | | |
| | | R _L = 150 Ω | V _{CC} - V _{OH} | 0.30 | | |
| | | | V _{OL} - V _{EE} | 0.30 | | |
| | | R _L = 75 Ω | V _{CC} - V _{OH} | 0.6 | 1.5 | |
| | | | V _{OL} - V _{EE} | 0.6 | 1.5 | |
| | | R _L = 75 Ω to ground | V _{CC} - V _{OH} | 1.1 | 2.0 | |
| | | | V _{OL} - V _{EE} | 0.05 | 0.50 | |
| Output Current | I _{OUT} | R _L = 20 Ω to V _{CC} or V _{EE} | T _A = +25°C | \pm 70 | \pm 120 | mA |
| | | | T _A = T _{MIN} to T _{MAX} | \pm 60 | | |
| Output Short-Circuit Current | I _{SC} | Sinking or sourcing | | \pm 150 | | mA |
| Open-Loop Output Resistance | R _{OUT} | | | 8 | | Ω |

Low-Cost, High-Speed, Single-Supply Op Amps with Rail-to-Rail Outputs

DC ELECTRICAL CHARACTERISTICS (continued)

($V_{CC} = 5V$, $V_{EE} = 0$, $EN_+ = 5V$, $R_L = \infty$ to $V_{CC}/2$, $V_{OUT} = V_{CC}/2$, $T_A = T_{MIN}$ to T_{MAX} , unless otherwise noted. Typical values are at $T_A = +25^\circ C$.) (Note 1)

| PARAMETER | SYMBOL | CONDITIONS | MIN | TYP | MAX | UNITS |
|--|----------------|---|----------------|------|----------------|-----------|
| Power-Supply Rejection Ratio (Note 3) | PSRR | $V_{CC} = 5V$, $V_{EE} = 0$, $V_{CM} = 2.0V$ | 46 | 57 | | dB |
| | | $V_{CC} = 5V$, $V_{EE} = -5V$, $V_{CM} = 0$ | 54 | 66 | | |
| | | $V_{CC} = 3.3V$, $V_{EE} = 0$, $V_{CM} = 0.90V$ | | 45 | | |
| Operating Supply-Voltage Range | V_S | V_{CC} to V_{EE} | 3.15 | | 11.0 | V |
| Disabled Output Resistance | $R_{OUT(OFF)}$ | $EN_+ = 0$, $0 \leq V_{OUT} \leq 5V$ (Note 4) | 28 | 35 | | $k\Omega$ |
| EN_+ Logic-Low Threshold | V_{IL} | | | | $V_{CC} - 2.6$ | V |
| EN_+ Logic-High Threshold | V_{IH} | | $V_{CC} - 1.6$ | | | V |
| EN_+ Logic Input Low Current | I_{IL} | $(V_{EE} + 0.2V) \leq EN_+ \leq V_{CC}$ | | 0.5 | | μA |
| | | $EN_+ = 0$ | | 200 | 400 | |
| EN_+ Logic Input High Current | I_{IH} | $EN_+ = 5V$ | | 0.5 | 10 | μA |
| Quiescent Supply Current (per Amplifier) | I_S | Enabled | | 5.5 | 7.0 | mA |
| | | MAX4018, disabled ($EN_+ = 0$) | | 0.40 | 0.65 | |

MAX4012/MAX4016/MAX4018/MAX4020

Low-Cost, High-Speed, Single-Supply Op Amps with Rail-to-Rail Outputs

AC ELECTRICAL CHARACTERISTICS

($V_{CC} = 5V$, $V_{EE} = 0$, $V_{CM} = 2.5V$, $EN_{-} = 5V$, $R_F = 24\Omega$, $R_L = 100\Omega$ to $V_{CC}/2$, $V_{OUT} = V_{CC}/2$, $A_{VCL} = 1$, $T_A = +25^{\circ}C$, unless otherwise noted.)

| PARAMETER | SYMBOL | CONDITIONS | | MIN | TYP | MAX | UNITS |
|--|---------------------------------|---|-----------------------------|-----|------|-----|-----------------|
| Small-Signal -3dB Bandwidth | BW _{SS} | $V_{OUT} = 20mV_{P-P}$ | MAX4012 | | 200 | | MHz |
| | | | MAX4016/MAX4018/ MAX4020 | | 150 | | |
| Large-Signal -3dB Bandwidth | BW _{LS} | $V_{OUT} = 2V_{P-P}$ | | | 140 | | MHz |
| Bandwidth for 0.1dB Gain Flatness | BW _{0.1dB} | $V_{OUT} = 20mV_{P-P}$ (Note 5) | | 6 | 30 | | MHz |
| Slew Rate | SR | $V_{OUT} = 2V$ step | | | 600 | | V/ μ s |
| Settling Time to 0.1% | t _S | $V_{OUT} = 2V$ step | | | 45 | | ns |
| Rise/Fall Time | t _R , t _F | $V_{OUT} = 100mV_{P-P}$ | | | 1 | | ns |
| Spurious-Free Dynamic Range | SFDR | $f_C = 5MHz$, $V_{OUT} = 2V_{P-P}$ | | | -78 | | dBc |
| Harmonic Distortion | HD | $f_C = 5MHz$, $V_{OUT} = 2V_{P-P}$ | 2nd harmonic | | -78 | | dBc |
| | | | 3rd harmonic | | -82 | | |
| | | | Total harmonic distortion | | -75 | | dB |
| Two-Tone, Third-Order Intermodulation Distortion | IP ₃ | $f_1 = 10.0MHz$, $f_2 = 10.1MHz$, $V_{OUT} = 1V_{P-P}$ | | | 35 | | dBc |
| Input 1dB Compression Point | | $f_C = 10MHz$, $A_{VCL} = 2$ | | | 11 | | dBm |
| Differential Phase Error | DP | NTSC, $R_L = 150\Omega$ | | | 0.02 | | degrees |
| Differential Gain Error | DG | NTSC, $R_L = 150\Omega$ | | | 0.02 | | % |
| Input Noise-Voltage Density | e _n | $f = 10kHz$ | | | 10 | | nV/ \sqrt{Hz} |
| Input Noise-Current Density | i _n | $f = 10kHz$ | | | 1.3 | | pA/ \sqrt{Hz} |
| Input Capacitance | C _{IN} | | | | 1 | | pF |
| Disabled Output Capacitance | C _{OUT} (OFF) | MAX4018, $EN_{-} = 0$ | | | 2 | | pF |
| Output Impedance | Z _{OUT} | $f = 10MHz$ | | | 6 | | Ω |
| Amplifier Enable Time | t _{ON} | MAX4018 | | | 100 | | ns |
| Amplifier Disable Time | t _{OFF} | MAX4018 | | | 1 | | μ s |
| Amplifier Gain Matching | | MAX4016/MAX4018/MAX4020, $f = 10MHz$, $V_{OUT} = 20mV_{P-P}$ | | | 0.1 | | dB |
| Amplifier Crosstalk | X _{TALK} | MAX4016/MAX4018/MAX4020, $f = 10MHz$, $V_{OUT} = 2V_{P-P}$, $R_S = 50\Omega$ to ground | | | -95 | | dB |

Note 1: The MAX4012EUT is 100% production tested at $T_A = +25^{\circ}C$. Specifications over temperature limits are guaranteed by design.

Note 2: Tested with $V_{CM} = 2.5V$.

Note 3: PSR for single 5V supply tested with $V_{EE} = 0$, $V_{CC} = 4.5V$ to $5.5V$; for dual $\pm 5V$ supply with $V_{EE} = -4.5V$ to $-5.5V$, $V_{CC} = 4.5V$ to $5.5V$; and for single 3.3V supply with $V_{EE} = 0$, $V_{CC} = 3.15V$ to $3.45V$.

Note 4: Does not include the external feedback network's impedance.

Note 5: Guaranteed by design.

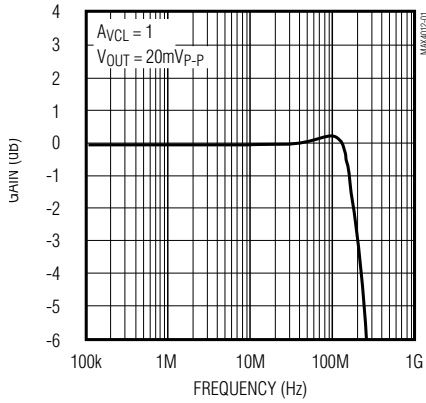
Low-Cost, High-Speed, Single-Supply Op Amps with Rail-to-Rail Outputs

Typical Operating Characteristics

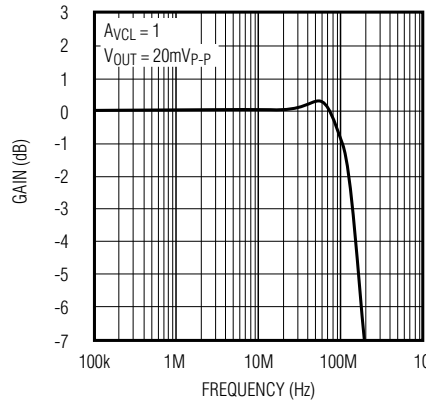
($V_{CC} = 5V$, $V_{EE} = 0$, $A_{VCL} = 1$, $R_F = 24\Omega$, $R_L = 100\Omega$ to $V_{CC}/2$, $T_A = +25^\circ C$, unless otherwise noted.)

MAX4012/MAX4016/MAX4018/MAX4020

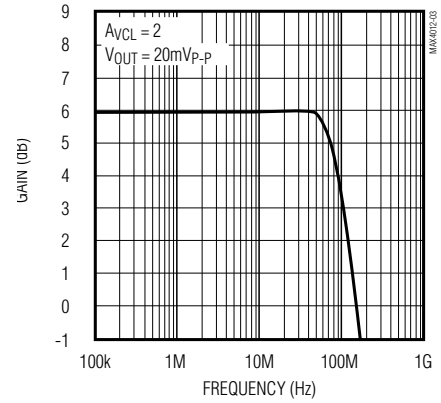
**MAX4012
SMALL-SIGNAL GAIN vs. FREQUENCY
($A_{VCL} = 1$)**



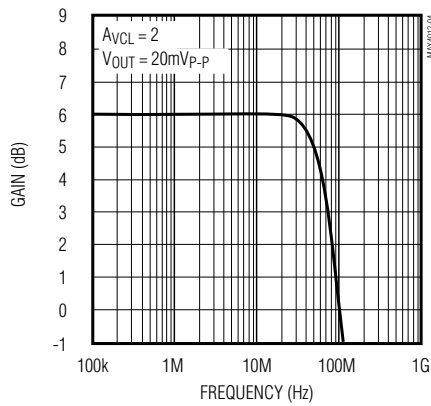
**MAX4016/MAX4018/MAX4020
SMALL-SIGNAL GAIN vs. FREQUENCY
($A_{VCL} = 1$)**



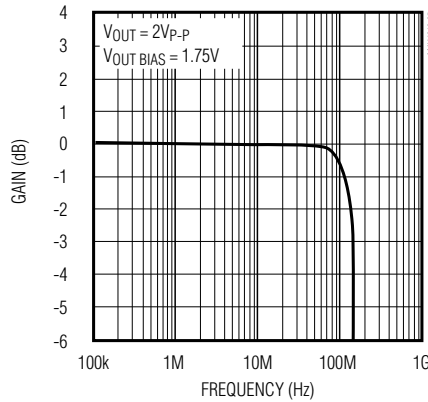
**MAX4012
SMALL-SIGNAL GAIN vs. FREQUENCY
($A_{VCL} = 2$)**



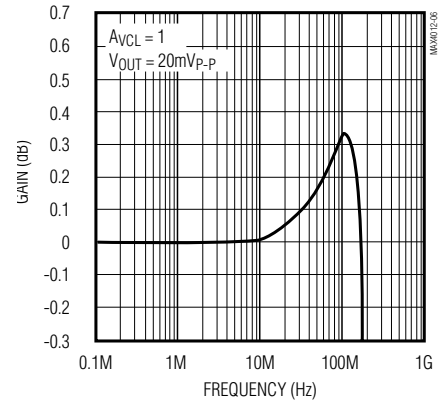
**MAX4016/MAX4018/MAX4020
SMALL-SIGNAL GAIN vs. FREQUENCY
($A_{VCL} = 2$)**



LARGE-SIGNAL GAIN vs. FREQUENCY



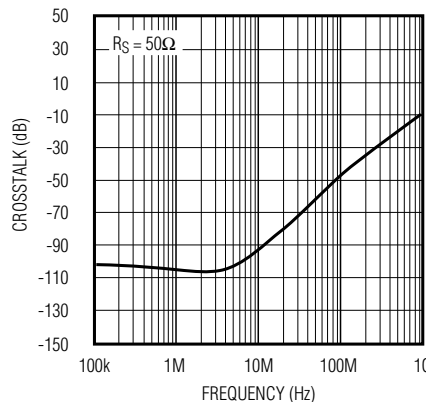
**MAX4012
GAIN FLATNESS vs. FREQUENCY**



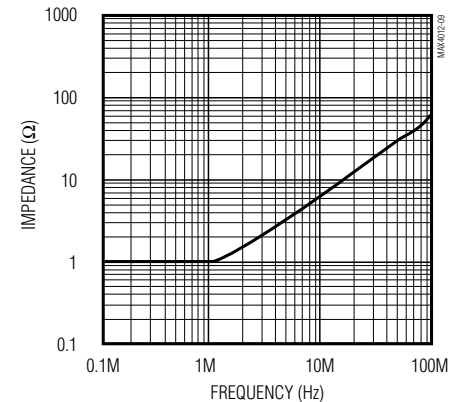
**MAX4016/MAX4018/MAX4020
GAIN FLATNESS vs. FREQUENCY**



**MAX4016/MAX4018/MAX4020
CROSSTALK vs. FREQUENCY**



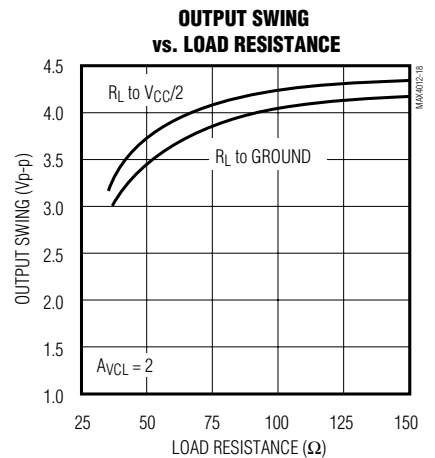
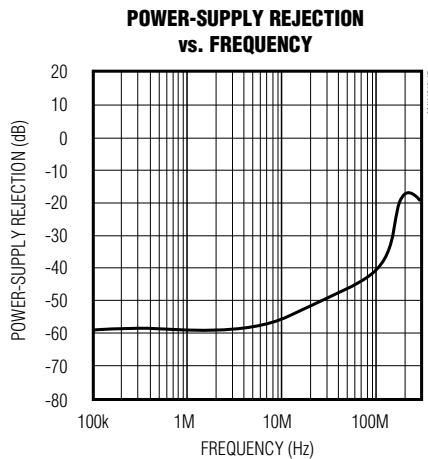
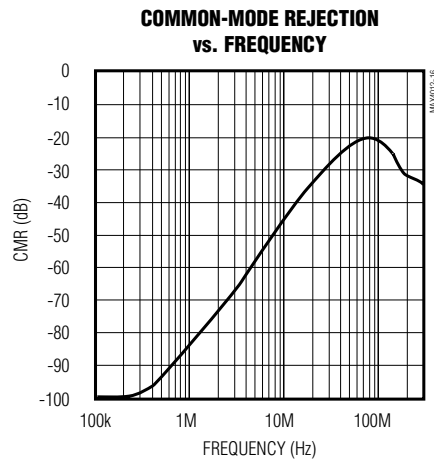
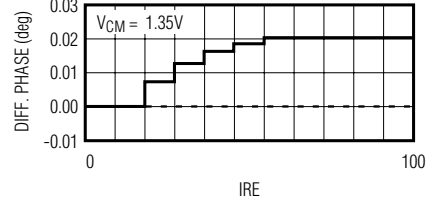
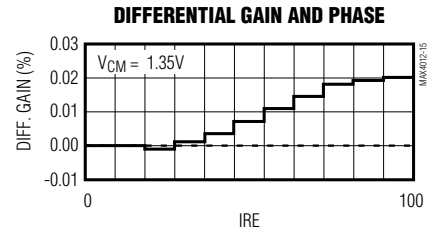
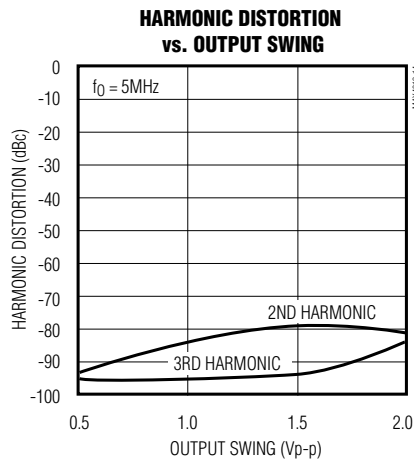
**CLOSED-LOOP OUTPUT IMPEDANCE
vs. FREQUENCY**



Low-Cost, High-Speed, Single-Supply Op Amps with Rail-to-Rail Outputs

Typical Operating Characteristics (continued)

($V_{CC} = 5V$, $V_{EE} = 0$, $A_{VCL} = 1$, $R_F = 24\Omega$, $R_L = 100\Omega$ to $V_{CC}/2$, $T_A = +25^\circ C$, unless otherwise noted.)



Low-Cost, High-Speed, Single-Supply Op Amps with Rail-to-Rail Outputs

Typical Operating Characteristics (continued)

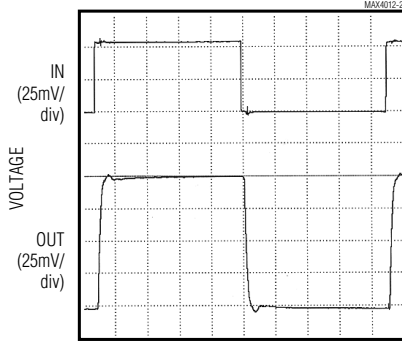
($V_{CC} = 5V$, $V_{EE} = 0$, $A_{vCL} = 1$, $R_F = 24\Omega$, $R_L = 100\Omega$ to $V_{CC}/2$, $T_A = +25^\circ C$, unless otherwise noted.)

SMALL-SIGNAL PULSE RESPONSE
($A_{vCL} = 1$)



20ns/div
 $V_{CM} = 2.5V$, $R_L = 100\Omega$ to GROUND

SMALL-SIGNAL PULSE RESPONSE
($A_{vCL} = 2$)



20ns/div
 $V_{CM} = 1.25V$, $R_L = 100\Omega$ to GROUND

SMALL-SIGNAL PULSE RESPONSE
($C_L = 5pF$, $A_{vCL} = 1$)



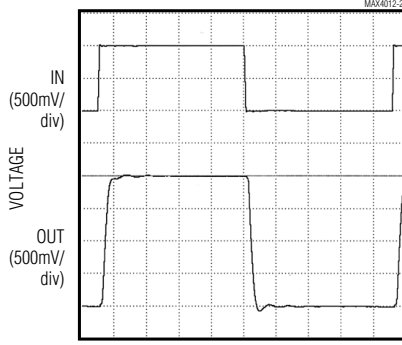
20ns/div
 $V_{CM} = 1.75V$, $R_L = 100\Omega$ to GROUND

LARGE-SIGNAL PULSE RESPONSE
($A_{vCL} = 1$)



20ns/div
 $V_{CM} = 1.75V$, $R_L = 100\Omega$ to GROUND

LARGE-SIGNAL PULSE RESPONSE
($A_{vCL} = 2$)



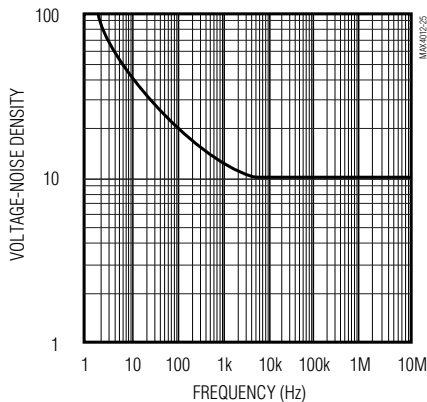
20ns/div
 $V_{CM} = 0.9V$, $R_L = 100\Omega$ to GROUND

LARGE-SIGNAL PULSE RESPONSE
($C_L = 5pF$, $A_{vCL} = 2$)

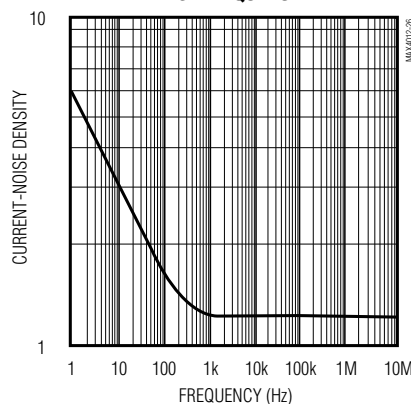


20ns/div
 $V_{CM} = 1.75V$, $R_L = 100\Omega$ to GROUND

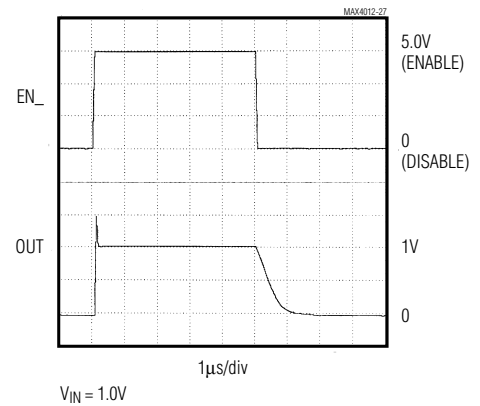
VOLTAGE-NOISE DENSITY
vs. FREQUENCY



CURRENT-NOISE DENSITY
vs. FREQUENCY



ENABLE RESPONSE TIME

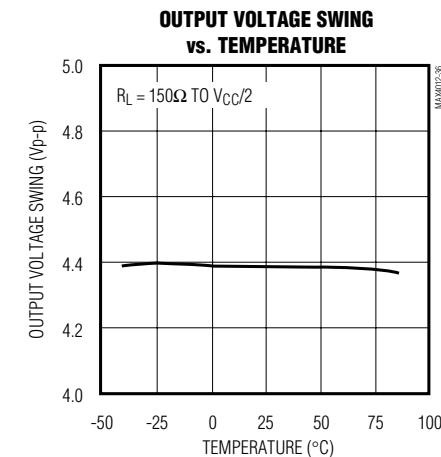
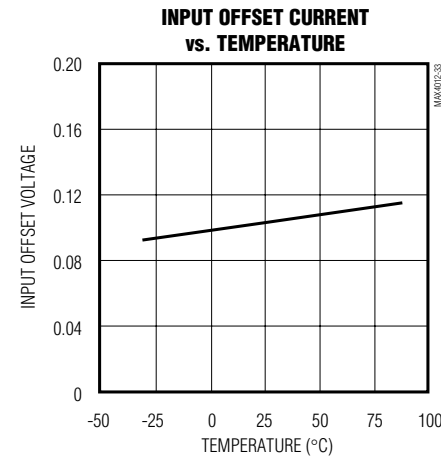
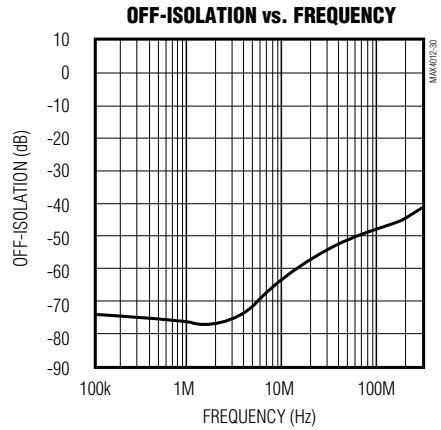


$V_{IN} = 1.0V$

Low-Cost, High-Speed, Single-Supply Op Amps with Rail-to-Rail Outputs

Typical Operating Characteristics (continued)

($V_{CC} = 5V$, $V_{EE} = 0$, $A_{vCL} = 1$, $R_F = 24\Omega$, $R_L = 100\Omega$ to $V_{CC}/2$, $T_A = +25^\circ C$, unless otherwise noted.)



Low-Cost, High-Speed, Single-Supply Op Amps with Rail-to-Rail Outputs

Pin Description

| PIN | | | | | | | NAME | FUNCTION |
|---------|---------|--------------------|---------|------|---------|------|-----------------|---|
| MAX4012 | MAX4012 | MAX4016 SO/μMAX | MAX4018 | | MAX4020 | | | |
| SO-8 | SOT23 | | SO | QSOP | SO | QSOP | | |
| 1, 5, 8 | — | — | — | 8, 9 | — | 8, 9 | N.C. | No Connection. Not internally connected. Tie to ground or leave open. |
| 6 | 1 | — | — | — | — | — | OUT | Amplifier Output |
| 4 | 2 | 4 | 11 | 13 | 11 | 13 | V _{EE} | Negative Power Supply or Ground (in single-supply operation) |
| 3 | 3 | — | — | — | — | — | IN+ | Noninverting Input |
| 2 | 4 | — | — | — | — | — | IN- | Inverting Input |
| 7 | 5 | 8 | 4 | 4 | 4 | 4 | V _{CC} | Positive Power Supply |
| — | — | 1 | 7 | 7 | 1 | 1 | OUTA | Amplifier A Output |
| — | — | 2 | 6 | 6 | 2 | 2 | INA- | Amplifier A Inverting Input |
| — | — | 3 | 5 | 5 | 3 | 3 | INA+ | Amplifier A Noninverting Input |
| — | — | 7 | 8 | 10 | 7 | 7 | OUTB | Amplifier B Output |
| — | — | 6 | 9 | 11 | 6 | 6 | INB- | Amplifier B Inverting Input |
| — | — | 5 | 10 | 12 | 5 | 5 | INB+ | Amplifier B Noninverting Input |
| — | — | — | 14 | 16 | 8 | 10 | OUTC | Amplifier C Output |
| — | — | — | 13 | 15 | 9 | 11 | INC- | Amplifier C Inverting Input |
| — | — | — | 12 | 14 | 10 | 12 | INC+ | Amplifier C Noninverting Input |
| — | — | — | — | — | 14 | 16 | OUTD | Amplifier D Output |
| — | — | — | — | — | 13 | 15 | IND- | Amplifier D Inverting Input |
| — | — | — | — | — | 12 | 14 | IND+ | Amplifier D Noninverting Input |
| — | — | — | — | — | — | — | EN | Enable Amplifier |
| — | — | — | 1 | 1 | — | — | ENA | Enable Amplifier A |
| — | — | — | 3 | 3 | — | — | ENB | Enable Amplifier B |
| — | — | — | 2 | 2 | — | — | ENC | Enable Amplifier C |

MAX4012/MAX4016/MAX4018/MAX4020

Low-Cost, High-Speed, Single-Supply Op Amps with Rail-to-Rail Outputs

Detailed Description

The MAX4012/MAX4016/MAX4018/MAX4020 are single-supply, rail-to-rail, voltage-feedback amplifiers that employ current-feedback techniques to achieve 600V/μs slew rates and 200MHz bandwidths. Excellent harmonic distortion and differential gain/phase performance make these amplifiers an ideal choice for a wide variety of video and RF signal-processing applications.

The output voltage swing comes to within 50mV of each supply rail. Local feedback around the output stage assures low open-loop output impedance to reduce gain sensitivity to load variations. This feedback also produces demand-driven current bias to the output transistors for ±120mA drive capability, while constraining total supply current to less than 7mA. The input stage permits common-mode voltages beyond the negative supply and to within 2.25V of the positive supply rail.

Applications Information

Choosing Resistor Values

Unity-Gain Configuration

The MAX4012/MAX4016/MAX4018/MAX4020 are internally compensated for unity gain. When configured for unity gain, the devices require a 24Ω resistor (R_F) in series with the feedback path. This resistor improves AC response by reducing the Q of the parallel LC circuit

formed by the parasitic feedback capacitance and inductance.

Inverting and Noninverting Configurations

Select the gain-setting feedback (R_F) and input (R_G) resistor values to fit your application. Large resistor values increase voltage noise and interact with the amplifier's input and PC board capacitance. This can generate undesirable poles and zeros and decrease bandwidth or cause oscillations. For example, a noninverting gain-of-two configuration ($R_F = R_G$) using 1kΩ resistors, combined with 1pF of amplifier input capacitance and 1pF of PC board capacitance, causes a pole at 159MHz. Since this pole is within the amplifier bandwidth, it jeopardizes stability. Reducing the 1kΩ resistors to 100Ω extends the pole frequency to 1.59GHz, but could limit output swing by adding 200Ω in parallel with the amplifier's load resistor. Table 1 shows suggested feedback, gain resistors, and bandwidth for several gain values in the configurations shown in Figures 1a and 1b.

Layout and Power-Supply Bypassing

These amplifiers operate from a single 3.3V to 11V power supply or from dual supplies to ±5.5V. For single-supply operation, bypass V_{CC} to ground with a 0.1μF capacitor as close to the pin as possible. If operating with dual supplies, bypass each supply with a 0.1μF capacitor.



Figure 1a. Noninverting Gain Configuration

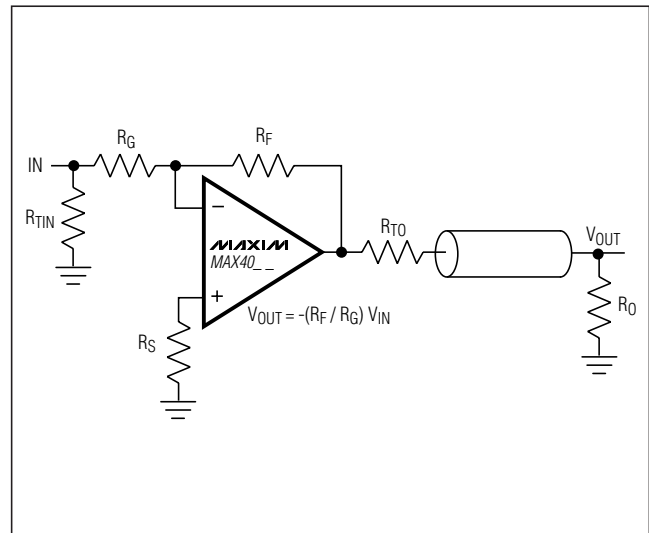


Figure 1b. Inverting Gain Configuration

Low-Cost, High-Speed, Single-Supply Op Amps with Rail-to-Rail Outputs

MAX4012/MAX4016/MAX4018/MAX4020

Maxim recommends using microstrip and stripline techniques to obtain full bandwidth. To ensure that the PC board does not degrade the amplifier's performance, design it for a frequency greater than 1GHz. Pay careful attention to inputs and outputs to avoid large parasitic capacitance. Whether or not you use a constant-impedance board, observe the following guidelines when designing the board:

- Don't use wire-wrap boards because they are too inductive.
- Don't use IC sockets because they increase parasitic capacitance and inductance.
- Use surface-mount instead of through-hole components for better high-frequency performance.
- Use a PC board with at least two layers; it should be as free from voids as possible.
- Keep signal lines as short and as straight as possible. Do not make 90° turns; round all corners.

Rail-to-Rail Outputs, Ground-Sensing Input

The input common-mode range extends from ($V_{EE} - 200\text{mV}$) to ($V_{CC} - 2.25\text{V}$) with excellent common-mode rejection. Beyond this range, the amplifier output is a nonlinear function of the input, but does not undergo phase reversal or latchup.

The output swings to within 60mV of either power-supply rail with a 2kΩ load. The input ground-sensing and the rail-to-rail output substantially increase the dynamic range. With a symmetric input in a single 5V application, the input can swing 2.95V_{P-P}, and the output can swing 4.9V_{P-P} with minimal distortion.

Enable Input and Disabled Output

The enable feature (EN₋) allows the amplifier to be placed in a low-power, high-output-impedance state. Typically, the EN₋ logic low input current (I_{IL}) is small. However, as the EN voltage (V_{IL}) approaches the negative supply rail, I_{IL} increases (Figure 2). A single resistor connected as shown in Figure 3 prevents the rise in the logic-low input current. This resistor provides a feedback mechanism that increases V_{IL} as the logic input is brought to V_{EE}. Figure 4 shows the resulting input current (I_{IL}).

When the MAX4018 is disabled, the amplifier's output impedance is 35kΩ. This high resistance and the low 2pF output capacitance make this part ideal in RF/video multiplexer or switch applications. For larger arrays, pay careful attention to capacitive loading. See the *Output Capacitive Loading and Stability* section for more information.

Table 1. Recommended Component Values

| COMPONENT | GAIN (V/V) | | | | | | | | | |
|-----------------------------------|------------|------|------|------|------|------|------|------|------|------|
| | +1 | -1 | +2 | -2 | +5 | -5 | +10 | -10 | +25 | -25 |
| R _F (Ω) | 24 | 500 | 500 | 500 | 500 | 500 | 500 | 500 | 500 | 1200 |
| R _G (Ω) | ∞ | 500 | 500 | 250 | 124 | 100 | 56 | 50 | 20 | 50 |
| R _S (Ω) | — | 0 | — | 0 | — | 0 | — | 0 | — | 0 |
| R _{TIN} (Ω) | 49.9 | 56 | 49.9 | 62 | 49.9 | 100 | 49.9 | ∞ | 49.9 | ∞ |
| R _{TO} (Ω) | 49.9 | 49.9 | 49.9 | 49.9 | 49.9 | 49.9 | 49.9 | 49.9 | 49.9 | 49.9 |
| Small-Signal -3dB Bandwidth (MHz) | 200 | 90 | 105 | 60 | 25 | 33 | 11 | 25 | 6 | 10 |

Note: R_L = R_O + R_{TO}; R_{TIN} and R_{TO} are calculated for 50Ω applications. For 75Ω systems, R_{TO} = 75Ω; calculate R_{TIN} from the following equation:

$$R_{TIN} = \frac{75}{1 - \frac{75}{R_G}} \Omega$$

Low-Cost, High-Speed, Single-Supply Op Amps with Rail-to-Rail Outputs



Figure 2. Enable Logic-Low Input Current vs. V_{IL}



Figure 4. Enable Logic-Low Input Current vs. V_{IL} with 10kΩ Series Resistor



Figure 3. Circuit to Reduce Enable Logic-Low Input Current

To implement the mux function, the outputs of multiple amplifiers can be tied together, and only the amplifier with the selected input will be enabled. All of the other amplifiers will be placed in the low-power shutdown mode, with their high output impedance presenting very little load to the active amplifier output. For gains of +2 or greater, the feedback network impedance of all the amplifiers used in a mux application must be considered when calculating the total load on the active amplifier output.

Output Capacitive Loading and Stability

The MAX4012/MAX4016/MAX4018/MAX4020 are optimized for AC performance. They are not designed to drive highly reactive loads, which decreases phase margin and may produce excessive ringing and oscillation. Figure 5 shows a circuit that eliminates this problem. Figure 6 is a graph of the optimal isolation resistor (R_S) vs. capacitive load. Figure 7 shows how a capacitive load causes excessive peaking of the amplifier's frequency response if the capacitor is not isolated from the amplifier by a resistor. A small isolation resistor (usually 20Ω to 30Ω) placed before the reactive load prevents ringing and oscillation. At higher capacitive loads, AC performance is controlled by the interaction of the load capacitance and the isolation resistor. Figure 8 shows the effect of a 27Ω isolation resistor on closed-loop response.

Coaxial cable and other transmission lines are easily driven when properly terminated at both ends with their characteristic impedance. Driving back-terminated transmission lines essentially eliminates the line's capacitance.

Low-Cost, High-Speed, Single-Supply Op Amps with Rail-to-Rail Outputs

MAX4012/MAX4016/MAX4018/MAX4020

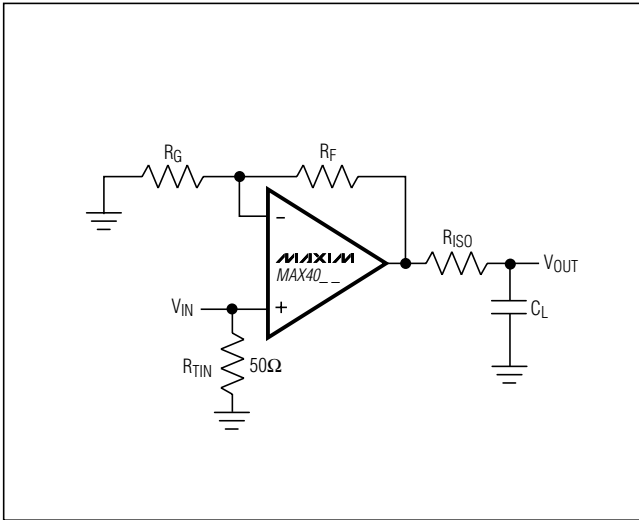


Figure 5. Driving a Capacitive Load through an Isolation Resistor

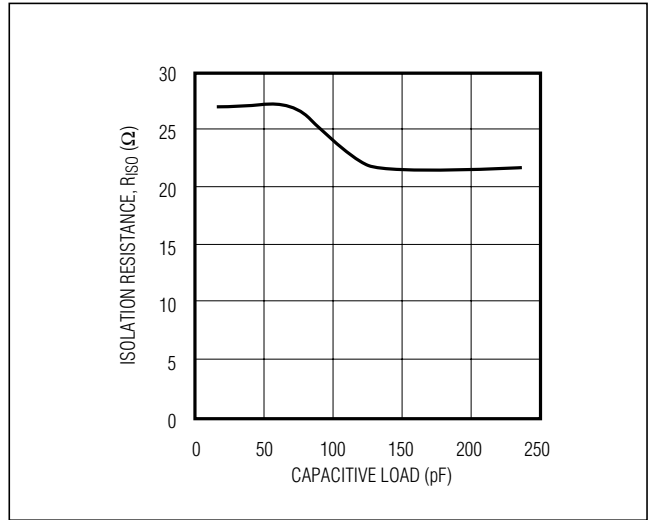


Figure 6. Capacitive Load vs. Isolation Resistance

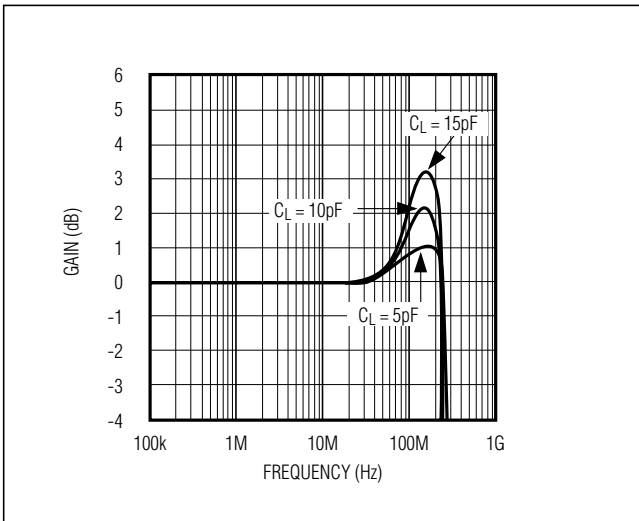


Figure 7. Small-Signal Gain vs. Frequency with Load Capacitance and No Isolation Resistor

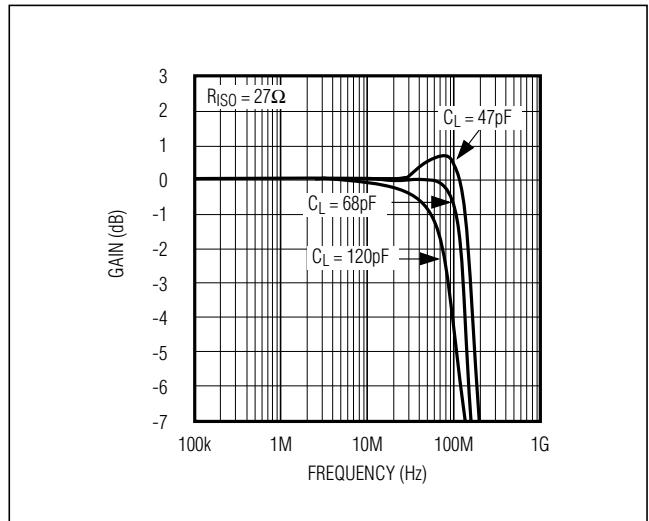


Figure 8. Small-Signal Gain vs. Frequency with Load Capacitance and 27Ω Isolation Resistor

Low-Cost, High-Speed, Single-Supply Op Amps with Rail-to-Rail Outputs

Pin Configurations (continued)

TOP VIEW



Low-Cost, High-Speed, Single-Supply Op Amps with Rail-to-Rail Outputs

Ordering Information (continued)

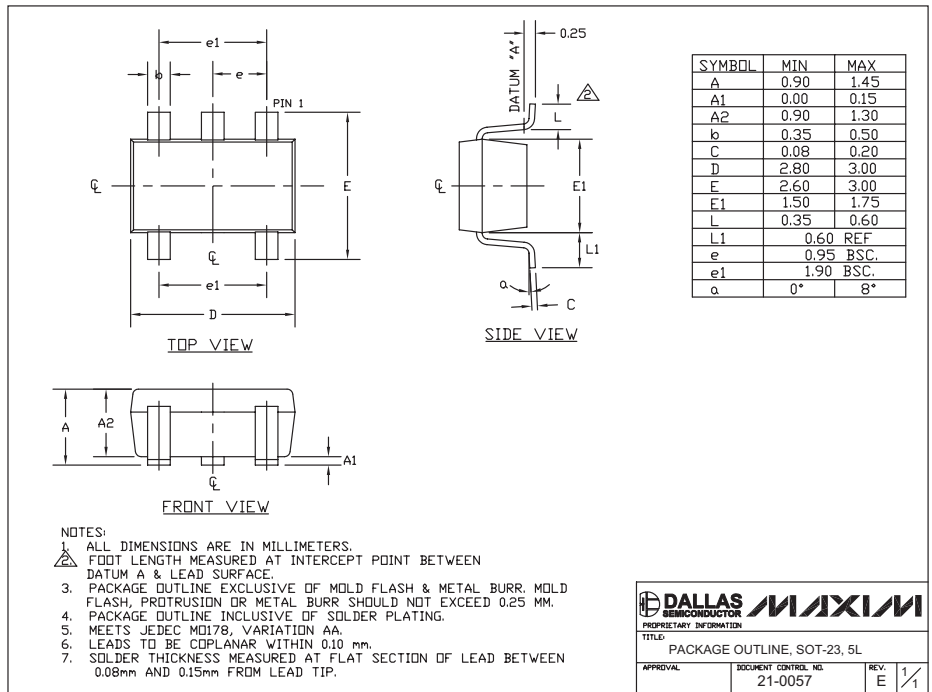
| PART | TEMP RANGE | PIN-PACKAGE | TOP MARK |
|------------|----------------|-------------|----------|
| MAX4018ESD | -40°C to +85°C | 14 SO | — |
| MAX4018EEE | -40°C to +85°C | 16 QSOP | — |
| MAX4020ESD | -40°C to +85°C | 14 SO | — |
| MAX4020EEE | -40°C to +85°C | 16 QSOP | — |

Chip Information

MAX4012 TRANSISTOR COUNT: 95
 MAX4016 TRANSISTOR COUNT: 190
 MAX4018 TRANSISTOR COUNT: 299
 MAX4020 TRANSISTOR COUNT: 362

Package Information

(The package drawing(s) in this data sheet may not reflect the most current specifications. For the latest package outline information go to www.maxim-ic.com/packages.)



MAX4012/MAX4016/MAX4018/MAX4020

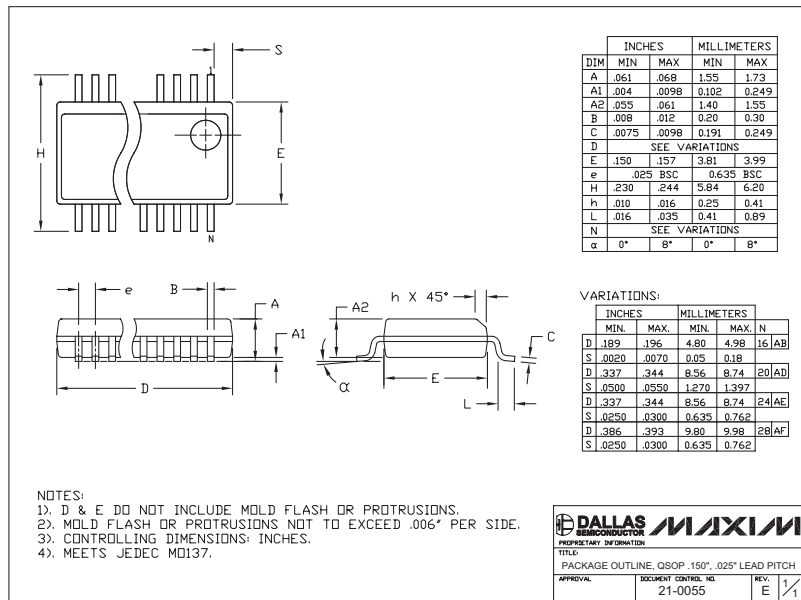
Low-Cost, High-Speed, Single-Supply Op Amps with Rail-to-Rail Outputs

Package Information (continued)

(The package drawing(s) in this data sheet may not reflect the most current specifications. For the latest package outline information go to www.maxim-ic.com/packages.)



8L uMAX uSOP



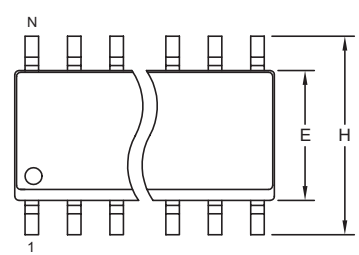
QSOP LEPS

Low-Cost, High-Speed, Single-Supply Op Amps with Rail-to-Rail Outputs

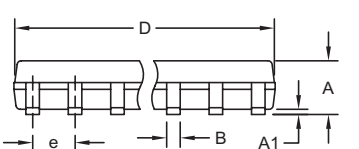
Package Information (continued)

(The package drawing(s) in this data sheet may not reflect the most current specifications. For the latest package outline information go to www.maxim-ic.com/packages.)

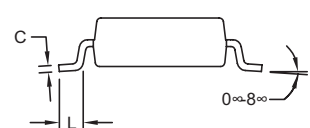
MAX4012/MAX4016/MAX4018/MAX4020



TOP VIEW



FRONT VIEW



SIDE VIEW

| DIM | INCHES | | MILLIMETERS | |
|-----|-----------|-------|-------------|------|
| | MIN | MAX | MIN | MAX |
| A | 0.053 | 0.069 | 1.35 | 1.75 |
| A1 | 0.004 | 0.010 | 0.10 | 0.25 |
| B | 0.014 | 0.019 | 0.35 | 0.49 |
| C | 0.007 | 0.010 | 0.19 | 0.25 |
| e | 0.050 BSC | | 1.27 BSC | |
| E | 0.150 | 0.157 | 3.80 | 4.00 |
| H | 0.228 | 0.244 | 5.80 | 6.20 |
| L | 0.016 | 0.050 | 0.40 | 1.27 |

VARIATIONS:

| DIM | INCHES | | MILLIMETERS | | N | MS012 |
|-----|--------|-------|-------------|-------|----|-------|
| | MIN | MAX | MIN | MAX | | |
| D | 0.189 | 0.197 | 4.80 | 5.00 | 8 | AA |
| D | 0.337 | 0.344 | 8.55 | 8.75 | 14 | AB |
| D | 0.386 | 0.394 | 9.80 | 10.00 | 16 | AC |

NOTES:

1. D&E DO NOT INCLUDE MOLD FLASH.
2. MOLD FLASH OR PROTRUSIONS NOT TO EXCEED 0.15mm (.006").
3. LEADS TO BE COPLANAR WITHIN 0.10mm (.004").
4. CONTROLLING DIMENSION: MILLIMETERS.
5. MEETS JEDEC MS012.
6. N = NUMBER OF PINS.

| | | |
|--|---------------------------------|------------|
| DALLAS SEMICONDUCTOR MAXIM | | |
| <small>PROPRIETARY INFORMATION</small> | | |
| TITLE: PACKAGE OUTLINE, .150" SOIC | | |
| APPROVAL | DOCUMENT CONTROL NO. 21-0041 | REV. B 1/1 |

SOICN LEPS

Maxim cannot assume responsibility for use of any circuitry other than circuitry entirely embodied in a Maxim product. No circuit patent licenses are implied. Maxim reserves the right to change the circuitry and specifications without notice at any time.

17 **Maxim Integrated Products, 120 San Gabriel Drive, Sunnyvale, CA 94086 408-737-7600**

Mouser Electronics

Authorized Distributor

Click to View Pricing, Inventory, Delivery & Lifecycle Information:

Maxim Integrated:

[MAX4016ESA+](#) [MAX4018EEE+](#) [MAX4018ESD+](#) [MAX4020ESD+](#) [MAX4012ESA+](#) [MAX4012ESA+T](#)
[MAX4012EUK+T](#) [MAX4016ESA+T](#) [MAX4016EUA+](#) [MAX4016EUA+T](#) [MAX4018EEE+T](#) [MAX4018ESD+T](#)
[MAX4020EEE+](#) [MAX4020EEE+T](#) [MAX4020ESD+T](#)