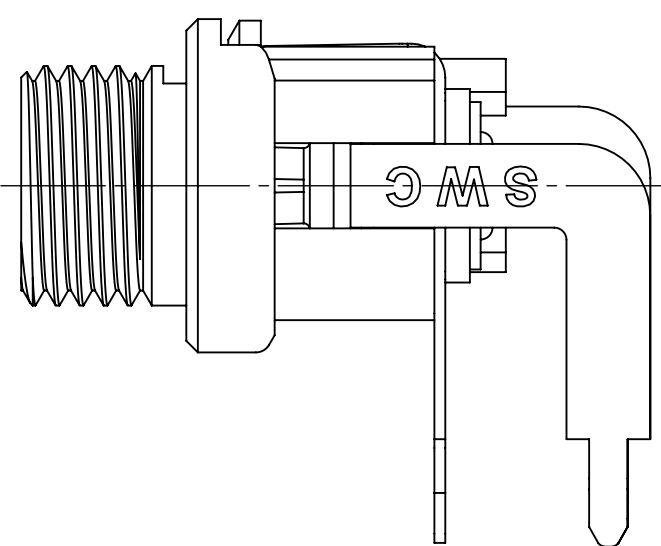
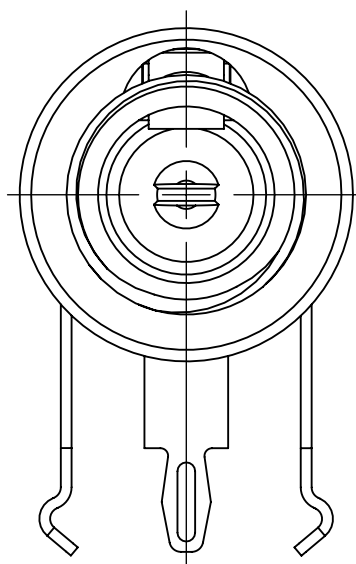


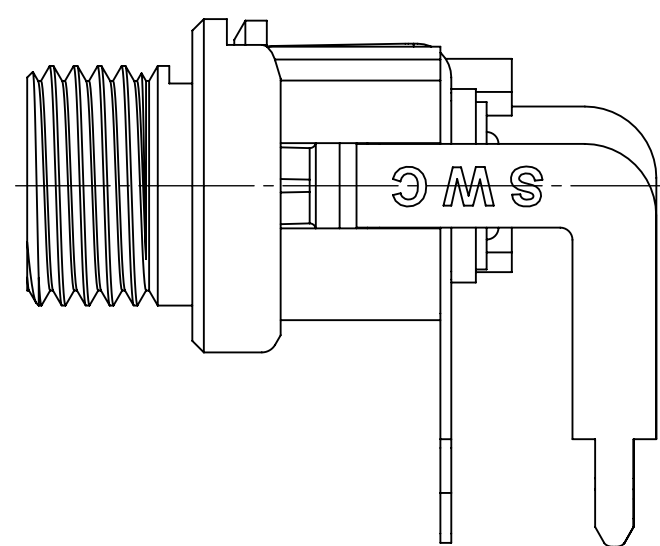
712RA
STANDARD
(CENTER PIN $\varnothing 0.098$)



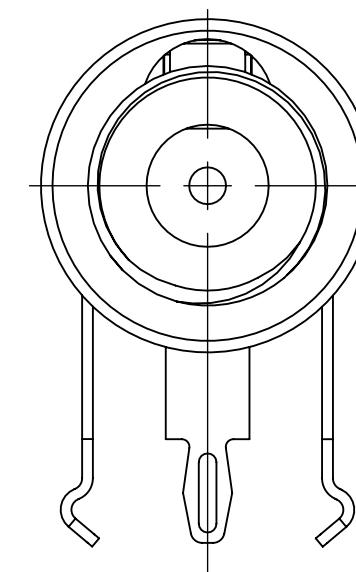
712RAH
HIGH TEMPERATURE
(CENTER PIN $\varnothing 0.098$)



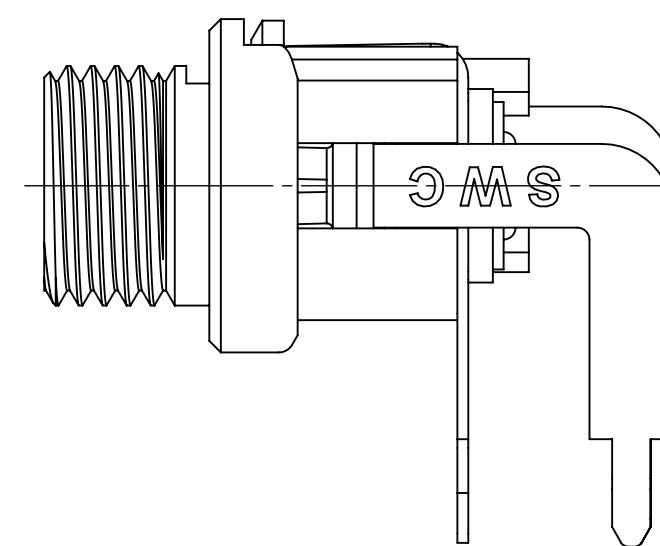
722RA
STANDARD
(CENTER PIN $\varnothing 0.076$)



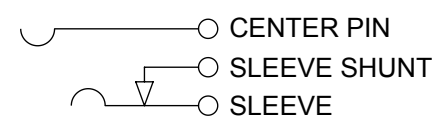
722RAH
HIGH TEMPERATURE
(CENTER PIN $\varnothing 0.076$)



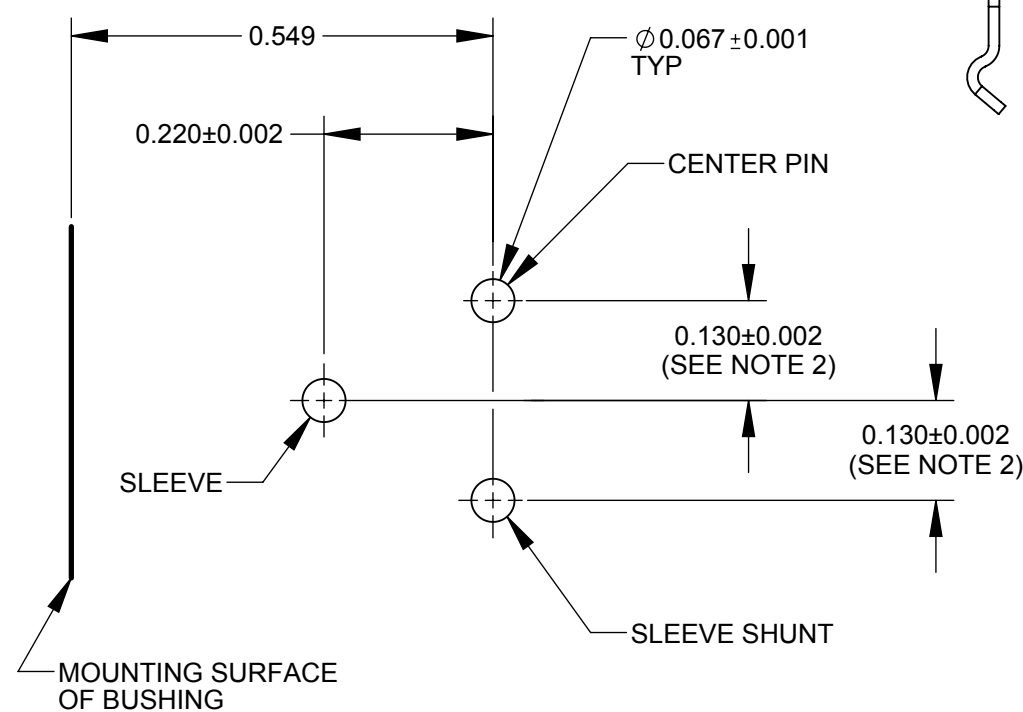
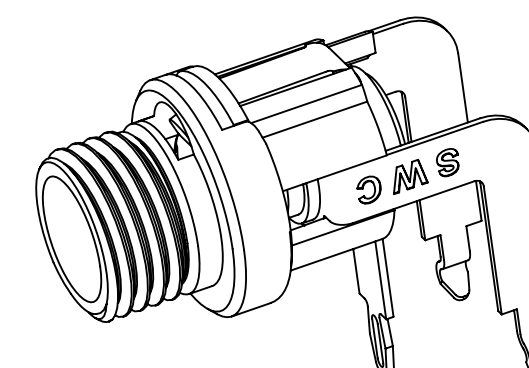
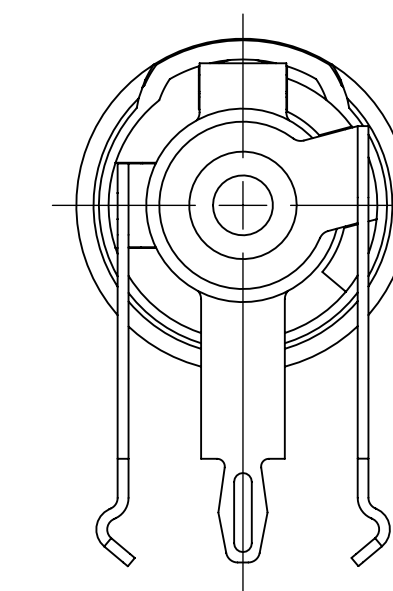
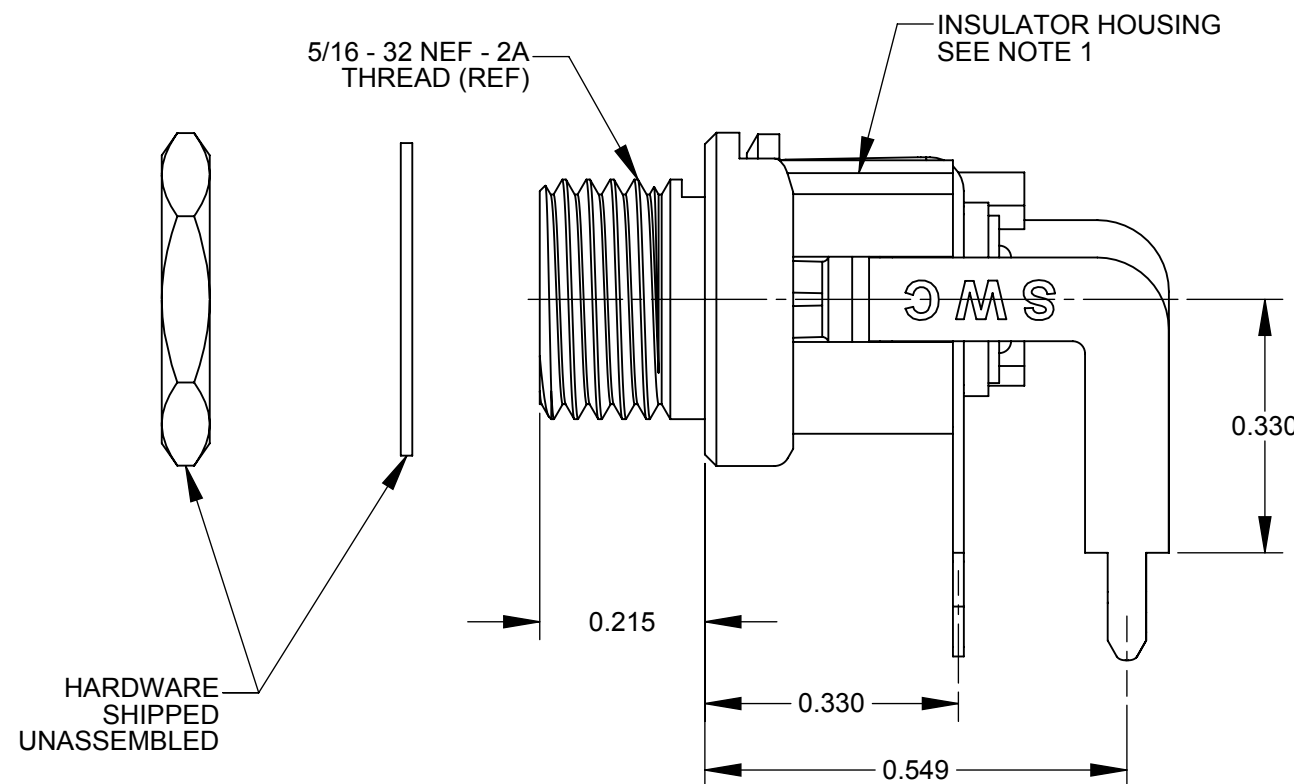
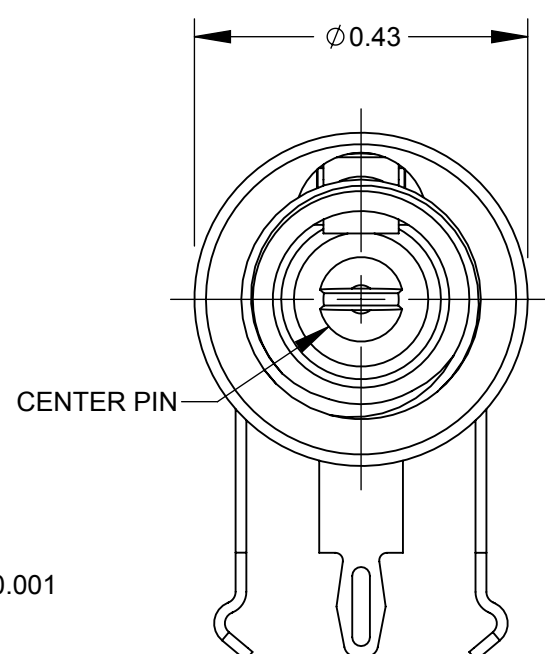
732RA
STANDARD
(CENTER PIN $\varnothing 0.048$)



732RAH
HIGH TEMPERATURE
(CENTER PIN $\varnothing 0.048$)



SCHEMATIC



RECOMMENDED PANEL LAYOUT
(COMPONENT SIDE)

NOTES:

- MATERIALS:**
BUSHING - COPPER ALLOY, NICKEL PLATED
INSULATOR HOUSING -
THERMOPLASTIC BLACK (STANDARD RA SERIES)
THERMOPLASTIC WHITE (HIGH TEMPERATURE RAH SERIES)
PIN, SPRING AND TERMINALS - COPPER ALLOY, SILVER PLATED
INSULATORS - PHENOLIC
HEX NUT - COPPER ALLOY, NICKEL PLATED
FLAT WASHER - STEEL, NICKEL PLATED
- FOR HAND INSERTION USE 0.130 SPACING.
FOR AUTOMATED INSERTION USE 0.135 SPACING.
- RA SERIES ARE RATED FOR 65°C MAX OPERATING TEMPERATURE
RAH SERIES ARE RATED FOR 85°C MAX OPERATING TEMPERATURE
- THE PRODUCTS IN THIS SERIES ARE RoHS COMPLIANT.

CUSTOMER DRAWING

UNLESS OTHERWISE SPECIFIED						THIS DRAWING DESCRIBES A DESIGN CONSIDERED PROPRIETARY IN NATURE, DEVELOPED AND MANUFACTURED BY SWITCHCRAFT INC. AND IS RELEASED ON A CONFIDENTIAL BASIS FOR IDENTIFICATION PURPOSES ONLY.					
1. ALL DIMENSIONS IN INCHES						SIZE	WIDTH	MULT	LBS/M	TEMPER	
- TWO PLACE DECIMALS ±0.02						FINISH		MATERIAL			
- THREE PLACE DECIMALS ±0.005						SPEC No.		SPEC No.			
						FIRST USED ON		SCALE			
						DATE DRAWN		BY		CHKD	APVD
						1/29/12		AB		AB	TJK
								1/29/12		3/12/13	
						NAME					
						RIGHT ANGLE POWER JACK					
REVISIONS						PART No. 7_RA SERIES 7_RAH SERIES					
A 27118 3/19/13 TJK TJK						SHEET 1 OF 1					
REV ECO NUMBER DATE BY APVD						REV A					

Mouser Electronics

Authorized Distributor

Click to View Pricing, Inventory, Delivery & Lifecycle Information:

[Switchcraft:](#)

[732RAH](#) [722RAH](#) [712RAH](#)