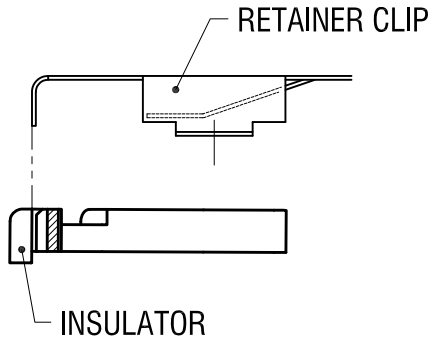
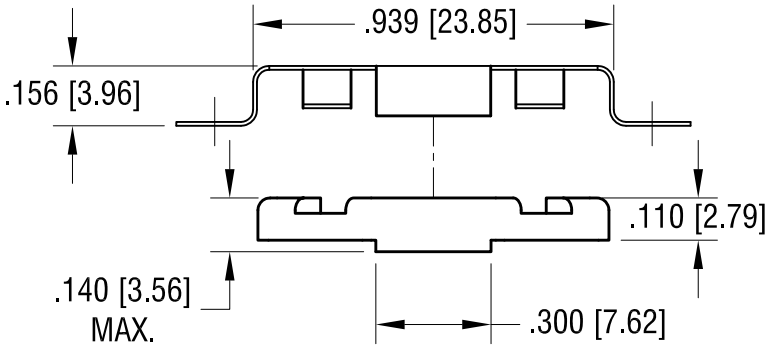
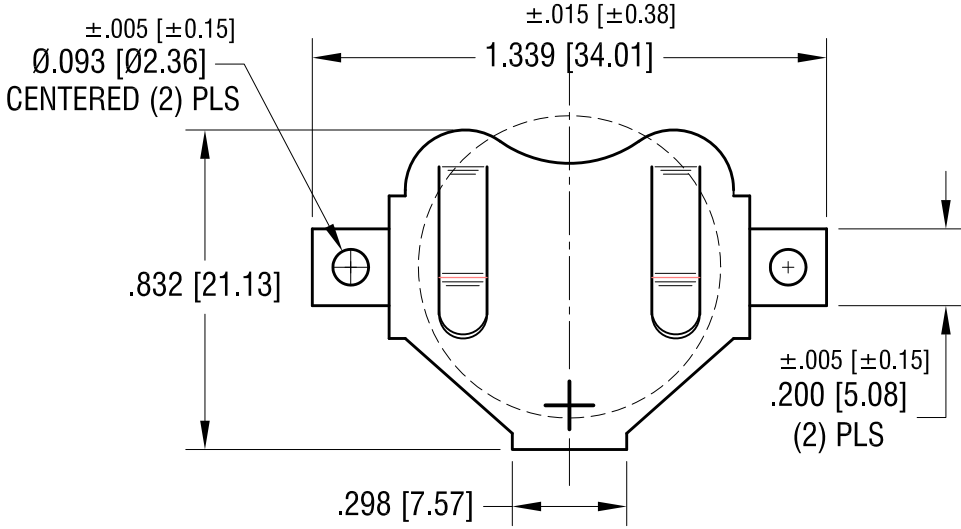
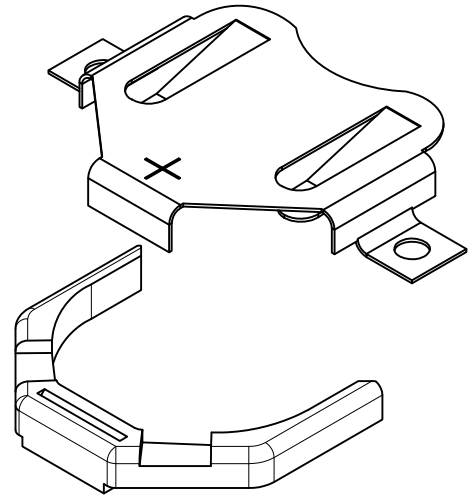
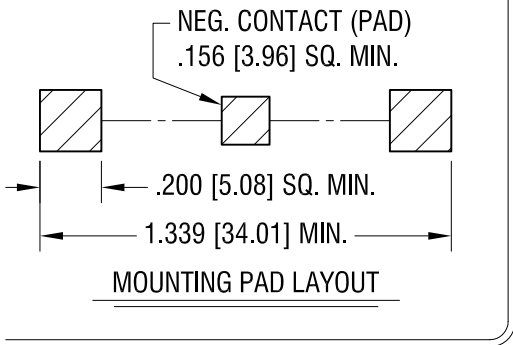


THIS DOCUMENT IS THE PROPERTY OF KEYSTONE ELECTRONICS CORP. AND SHALL NOT BE REPRODUCED, DISTRIBUTED OR USED AS A BASIS FOR MANUFACTURE WITHOUT PRIOR WRITTEN PERMISSION FROM KEYSTONE ELECTRONICS CORP.



**NOTE:**

1. CLIP MAT'L: .010 TH'K FULL HARD PHOSPHOR BRONZE  
FINISH: TIN-NICKEL PLATE
2. INSULATOR MAT'L: HIGH TEMPERATURE NYLON, UL 94V-0  
COLOR: WHITE
3. PARTS SUPPLIED UNASSEMBLED

<b>KEYSTONE ELECTRONICS CORP.</b>			
www.keyelco.com • ASTORIA, N.Y. 11105-2017 • Tel (718) 956-8900			
PART NAME		INSULATED SM COIN CELL CLIP	
MATERIAL		AS NOTED	
FINISH	AS NOTED	DRN BY NT	DATE 10.15.10
		APP'D LN	SCALE 2X
TOLERANCES	INCH [MM]	CODE	DWG NO.
DECIMAL	± .010 [± 0.25]	C	<b>3020-2</b>
ANGULAR	± 1°		
UNLESS OTHERWISE SPECIFIED			

DATE	DESCRIPTION	REV.	
------	-------------	------	--

# Mouser Electronics

Authorized Distributor

Click to View Pricing, Inventory, Delivery & Lifecycle Information:

[Keystone Electronics:](#)

[3020-2](#)